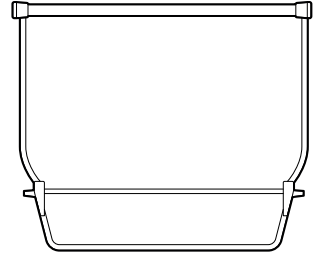


# R1S Cargo Cover



The cargo cover is a retractable cover that is available as an option for all R1S trim levels. You can use it to shade your cargo from damaging ultraviolet rays or to obscure your cargo.

## Install the Cargo Cover

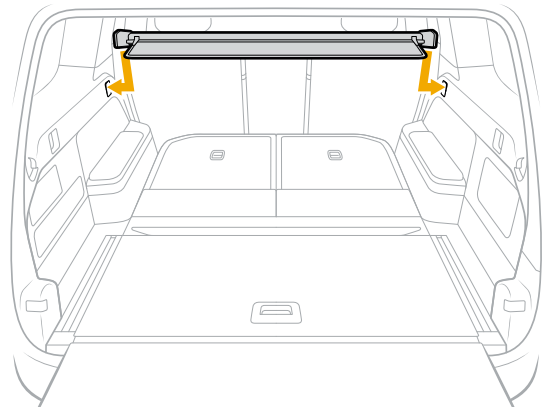
To install the cargo cover with third row seats down, do the following:

- Hold the cover with the flap facing the rear door of the vehicle.
- Ensure the raised side of the cargo cover flap is on top.
- Insert one end of the cover into either the left or right side notch closest to the front of the vehicle.

**NOTE**

The ends of the cargo cover are spring loaded.

- Push the other end and snap it into the corresponding notch on the opposite side.



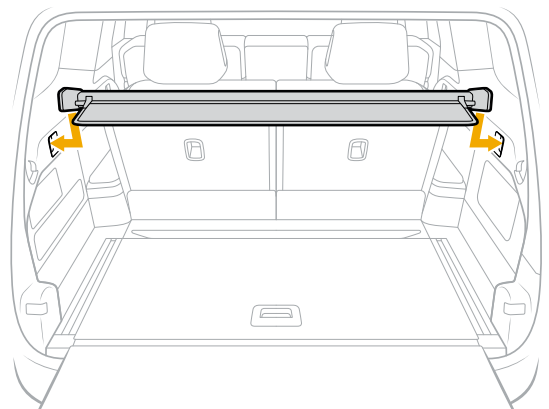
To install the cargo cover with third row seats up, do the following:

- Hold the cover with the flap facing the rear door of the vehicle.
- Ensure the raised side of the cargo cover flap is on top.
- Insert one end of the cover into either the left or right side notch closest to the rear door.

**NOTE**

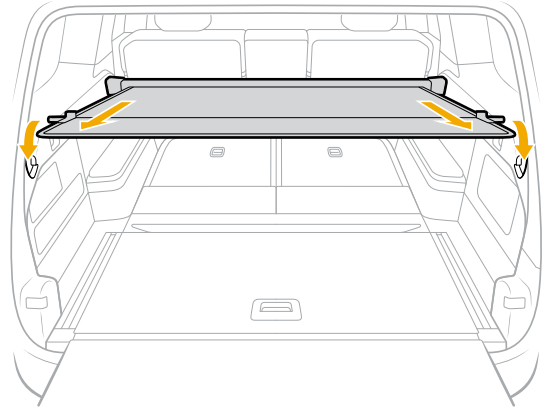
The ends of the cargo cover are spring loaded.

- Push the other end and snap it into the corresponding notch on the opposite side.



To draw the cover over the cargo area, do the following:

- Hold the flap firmly and pull it toward the rear of the vehicle.
- Insert the ends into the corresponding notches.



## Remove the Cargo Cover

- Pull the tabs on both ends out of the notches.
- Let the cover retract fully.
- Push one side of the cargo cover bar in toward the notch and lift it out of the notch.
- Lift the other side from the opposite notch.

