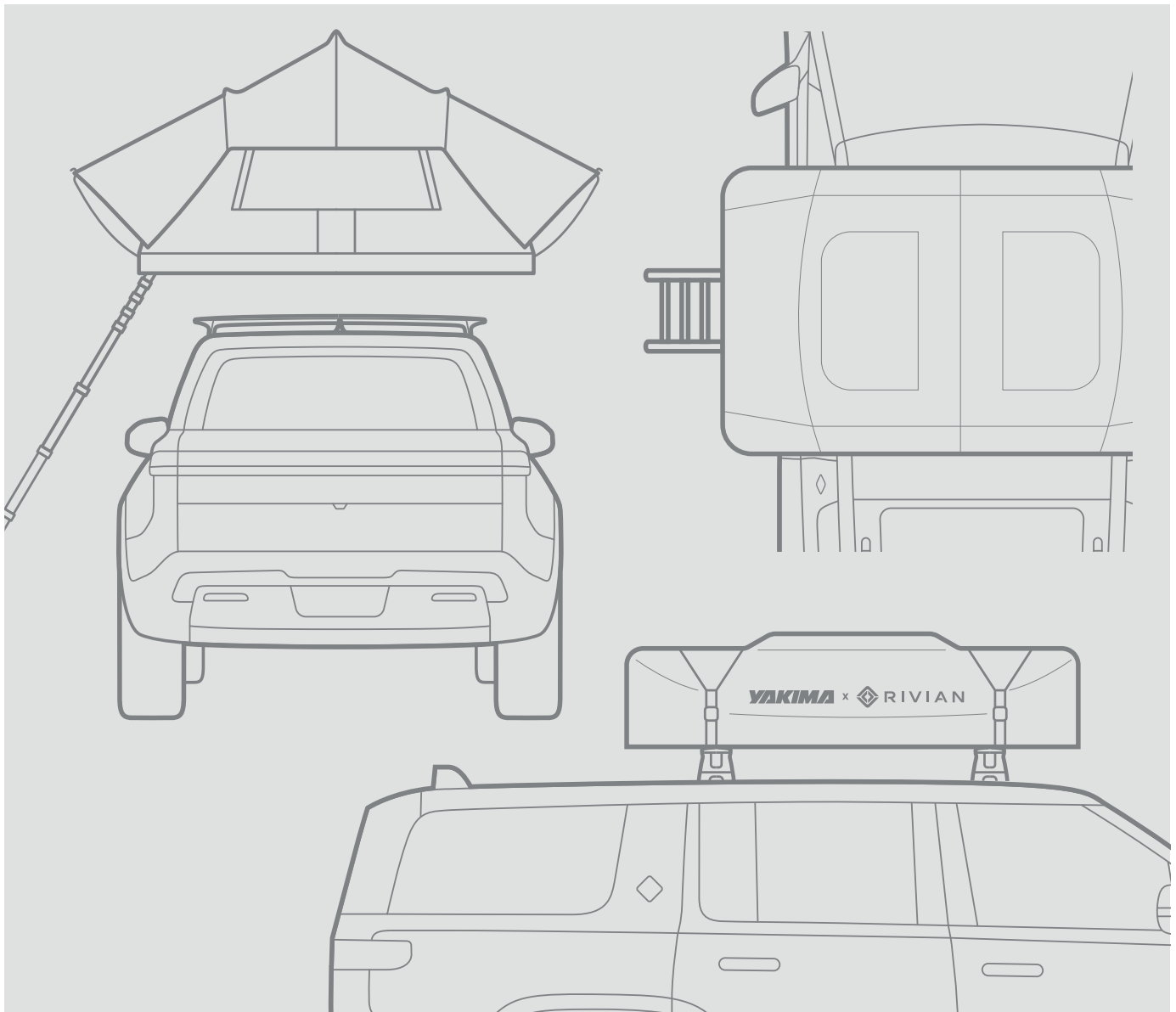


R1S

# Three-Person Tent Guide





© 2022 Rivian Automotive, LLC. All rights reserved.

All information in this document and all Rivian software is subject to copyright and other intellectual property rights of Rivian Automotive, LLC, its affiliates, or its licensors. This material may not be modified, reproduced, or copied, in whole or in part, without the prior written permission of Rivian Automotive, LLC, its affiliates, or its licensors. Unless indicated otherwise, all trademarks are owned and registered by Rivian Automotive, LLC, its affiliates, or its licensors in the United States and/or other countries. Please visit <https://www.rivian.com/legal/brand> for Rivian's trademarks and service marks.

Software embedded or accessed by the vehicle may utilize open source software. Please visit <https://www.rivian.com/legal/open-source> for more information.

The images provided in this document are for illustrative purposes only. Depending on the product details and market region, the information in this document may appear slightly different from your product.

# Contents

<b>Three-Person Tent</b> .....	<b>4</b>
Unbox the Tent .....	4
Choose the Tent Deployment Direction .....	5
Rooftop .....	5
Prepare the Tent Crossbar Clamps .....	6
Attach the Crossbar Clamps .....	7
Prepare the Ladder Hardware .....	7
Attach the Ladder Brackets .....	8
Attach the Ladder .....	10
Install the Travel Cover .....	12
Install the Tent on the Vehicle .....	14
<b>Use the Three-Person Tent at a Campsite</b> .....	<b>18</b>
Deploy the Tent and Adjust the Ladder .....	19
Use the Rainfly .....	22
Remove the Rainfly .....	23
Close and Secure the Three-Person Tent .....	24
Remove the Three-Person Tent .....	26
Weight Limits .....	28
Warnings .....	28
Care and Maintenance .....	29
<b>Customer Service</b> .....	<b>30</b>

# Three-Person Tent

The Three-Person Tent includes:

- Tent
- Ladder
- Rainfly
- Travel cover
- Keys
- Mounting Hardware

## UNBOX THE TENT

1. Open the tent box.



### CAUTION

Don't cut through the cardboard. Sharp tools can damage the tent fabric.

2. Remove the tent from the box.
3. Place the tent flat on the ground.
4. Remove the plastic wrap.

### NOTE

- There are red and black stickers on the bottom of the tent for the crossbar clamps.
- There are four stickers on the top edge of the tent for the ladder brackets.

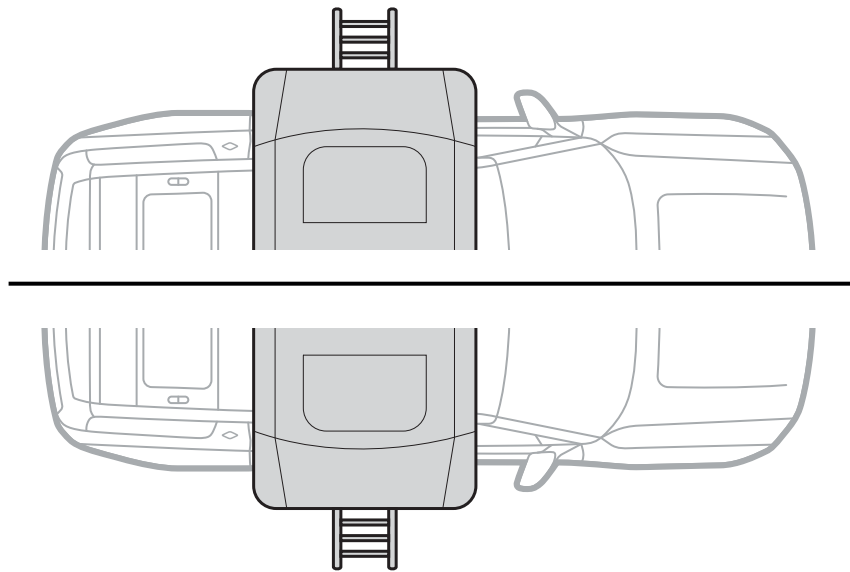
5. Ensure the top of the tent faces up.
6. Open the *Velcro*™ straps on the side.
7. Open the tent. The rainfly is attached to the tent.
8. Unzip the tent. Remove the following items:
  - Ladder
  - Bag containing the rainfly poles, ground stakes, and hardware
  - Travel cover
  - Crossbar clamps and hardware

## CHOOSE THE TENT DEPLOYMENT DIRECTION

You can install the tent on the rooftop.

Determine if you want to position the ladder on the driver side or passenger side of the vehicle.

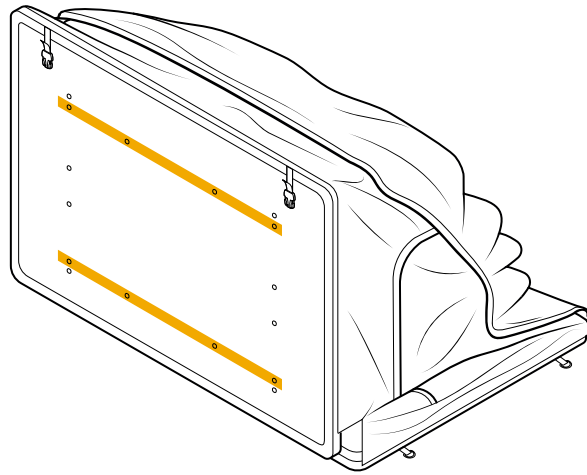
### Rooftop



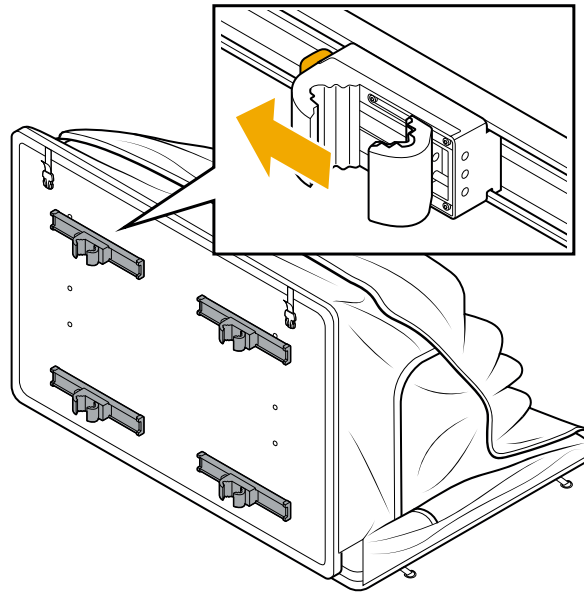
## PREPARE THE TENT CROSSBAR CLAMPS

Install the clamps according to your configuration as follows.

1. Puncture the stickers over the mounting holes based on your chosen configuration. The following illustrations show the locations of the clamps.

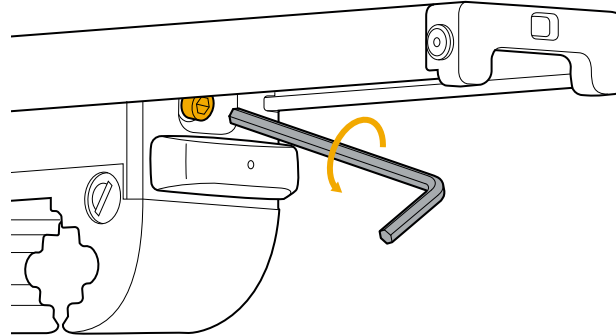


2. Position all the clamp knobs so they face the front of the vehicle, indicated by the arrow in the figure.

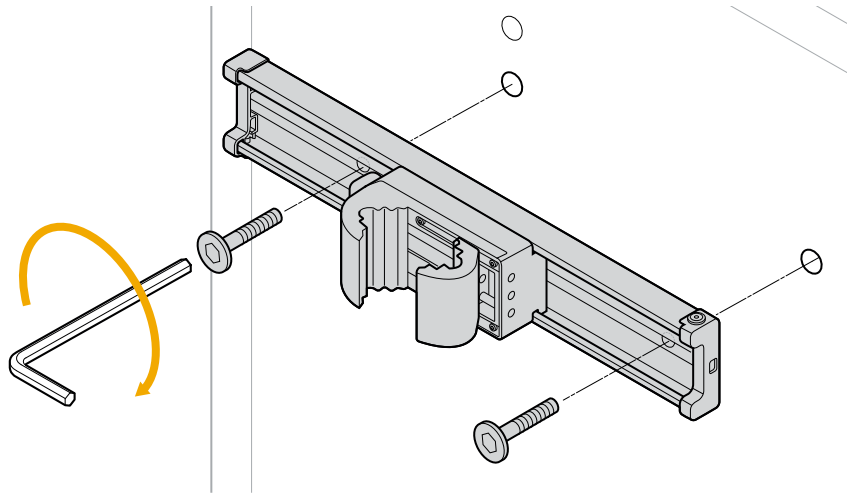


## ATTACH THE CROSSBAR CLAMPS

1. Use the included 5 mm hex wrench to loosen the slider bolt on the crossbar clamps.



2. Align the clamps over the mounting holes and thread the bolt through the clamp into the bottom of the tent.



3. Tighten the bolts by hand into the bottom of the tent.
4. Use the 5 mm hex wrench to tighten the bolts to  $5.25 \pm 0.25$  N•m.

### NOTES

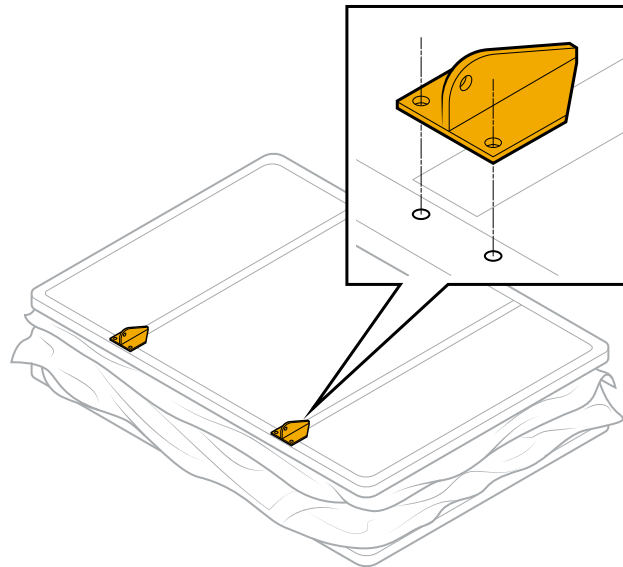
- Ensure the clamp knobs face the same direction and the locks face out on the same side.
- Ask a friend to hold the tent steady when you install the clamps.

## PREPARE THE LADDER HARDWARE

1. Remove the caps from the top of the ladder.
2. Locate the ladder hardware inside the rainfly pole bag.
3. Remove the nuts and washers from the long bolt.

## ATTACH THE LADDER BRACKETS

1. Flip the tent over to rest on the clamps.
2. Remove the stickers that cover the pre-drilled ladder bracket holes.
3. Position the ladder bracket over the holes.

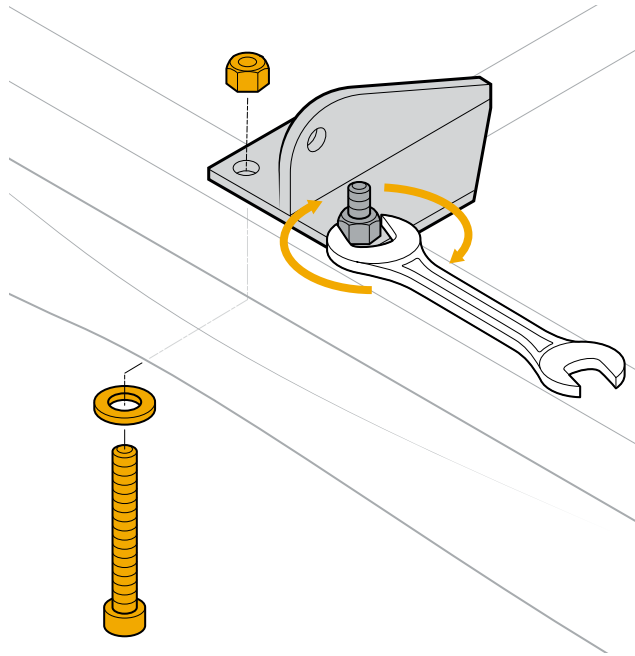


4. Place the washers on the bolts.
5. Reach under the mattress and push the long bolts from the inside of the tent through the bracket.
6. Hand-tighten the lock nuts on each of the long bolts.

## THREE-PERSON TENT

---

7. Tighten the bolts and lock nuts with the 8 mm hex wrench and 13 mm open-ended wrench. Tighten to  $2.75 \pm 0.25$  N•m.



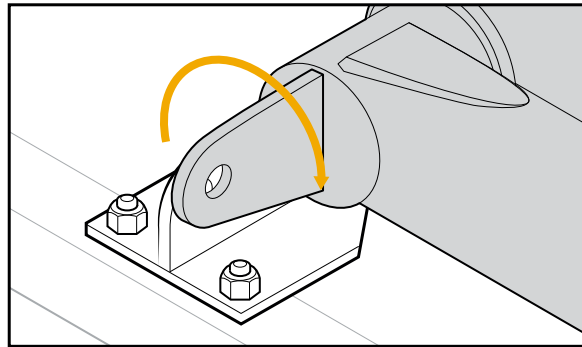
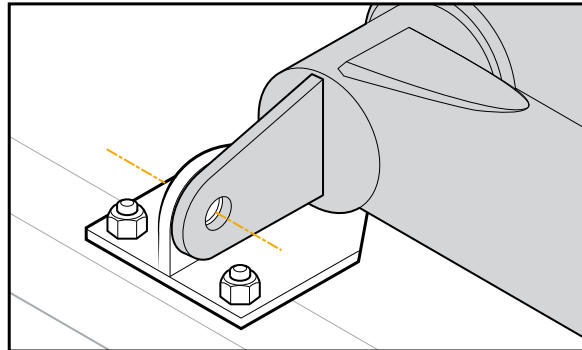
8. Repeat for the second ladder bracket.

## ATTACH THE LADDER

1. Position the ladder so the information stickers are visible and the top brackets align with the flat edge down.

**NOTE**

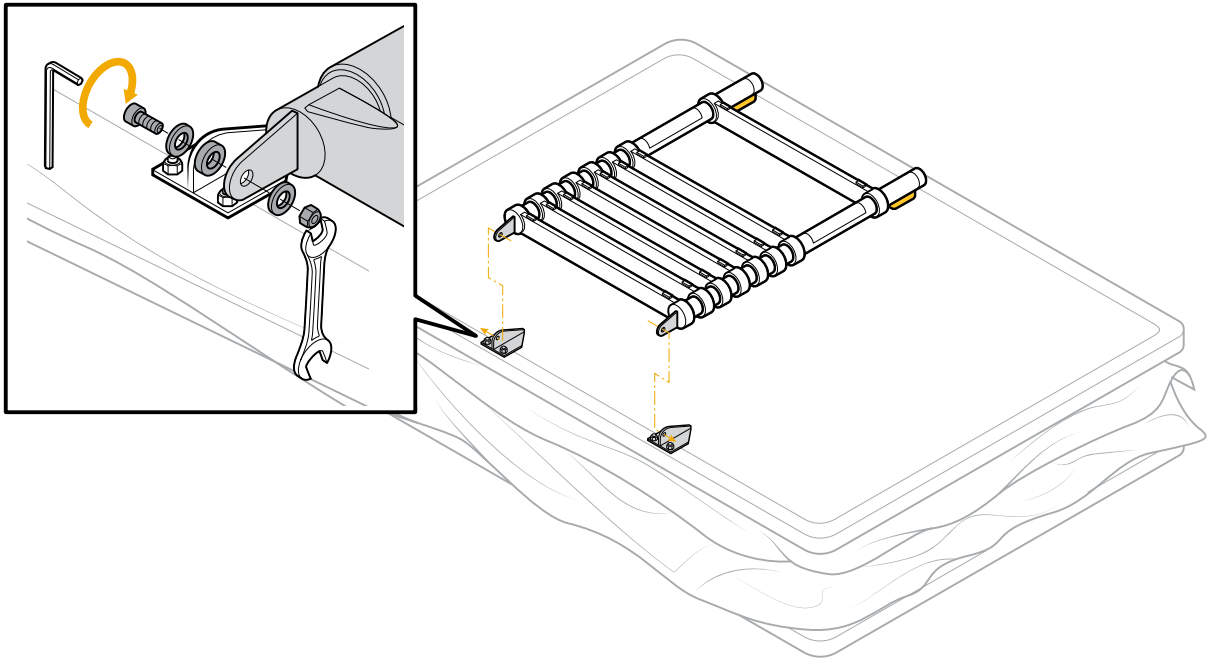
Install the ladder so the ladder bumpers touch the tent.



## THREE-PERSON TENT

---

2. Fasten the ladder with the short bolts, washers, plastic bushings, and lock nuts as shown in the figure.



3. Use the 8 mm hex wrench and 13 mm open-ended wrench to tighten the hardware on both ladder clamps. Tighten to  $2.75 \pm 0.25 \text{ N}\cdot\text{m}$ .

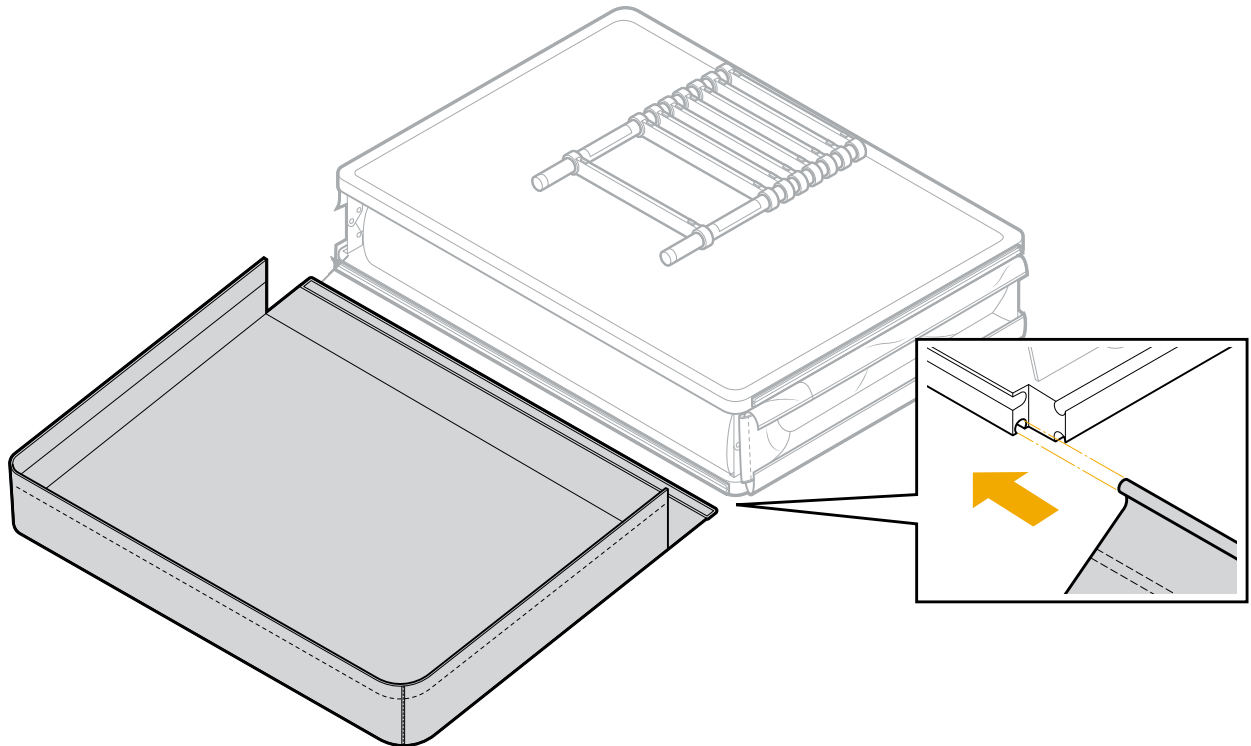


**WARNING**

Fully tighten the ladder bolts to avoid injury.

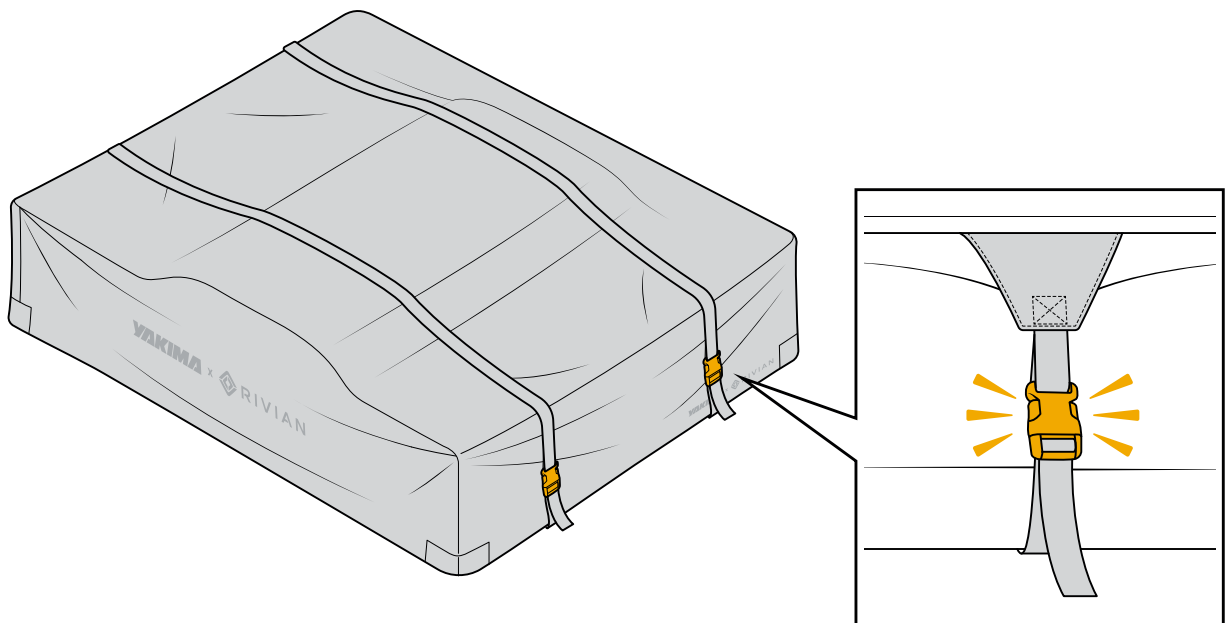
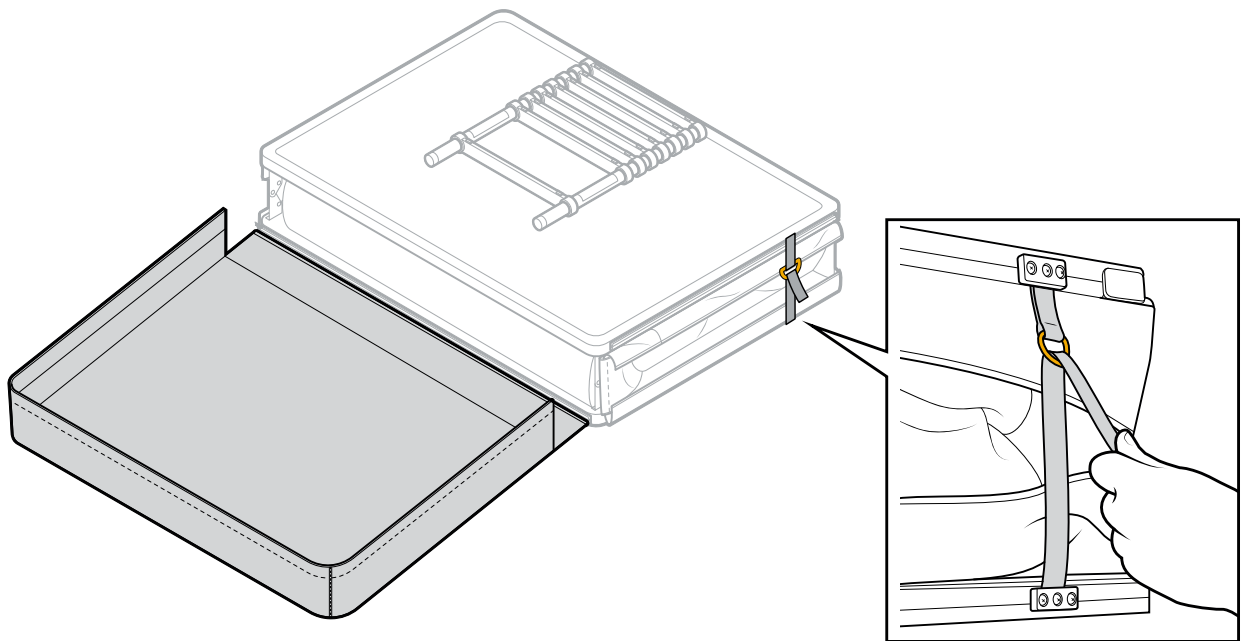
## INSTALL THE TRAVEL COVER

1. Slide the travel cover with the Velcro side up into the round channel on the edge of the tent.



## THREE-PERSON TENT

2. Secure the Velcro ties. Do not overtighten the ties. Fasten the zipper.



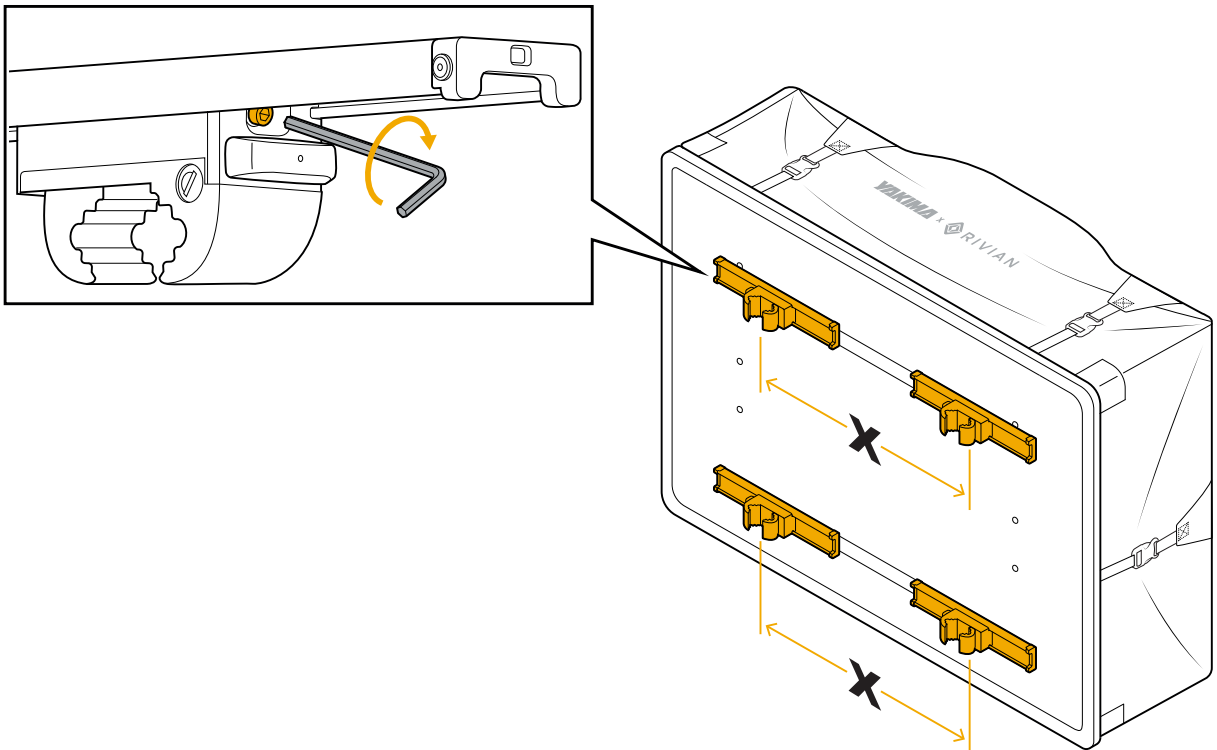
## INSTALL THE TENT ON THE VEHICLE

### NOTE

Mount the tent on the front two crossbars. In this location, the tent is level and more aerodynamic.

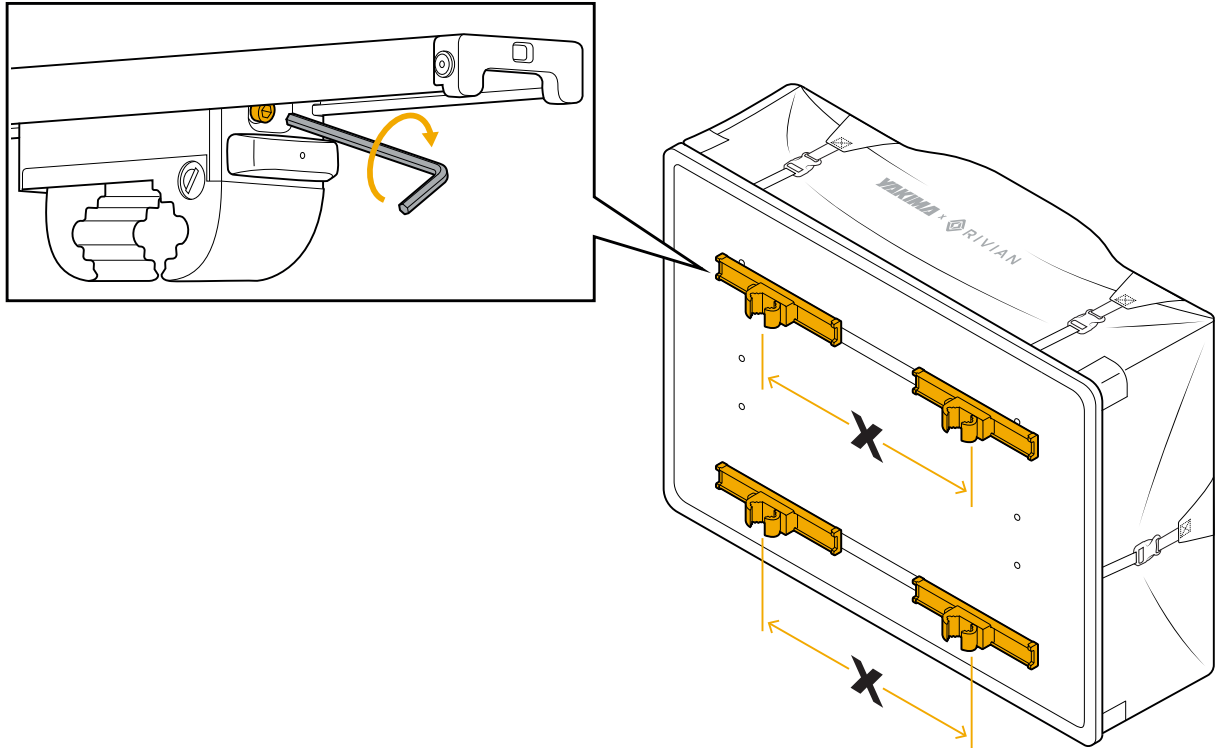
We don't recommend mounting the tent on the rear crossbars because the tent will not be level.

1. The distance (X) between the centers of the front crossbars is 36 in (915 mm).

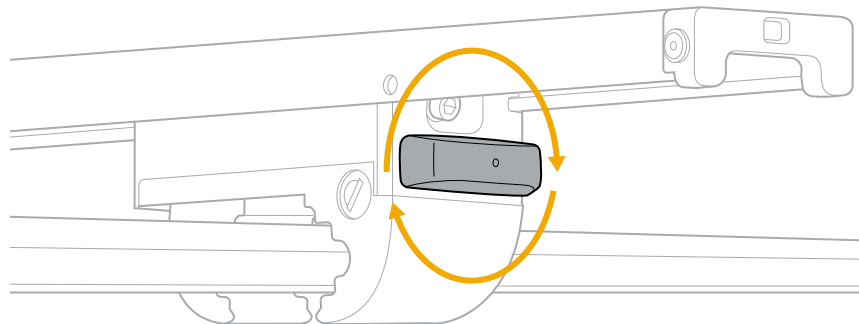


2. Tilt the tent on its side and open the clamps completely.
3. Slide the clamps in the track to match the measured crossbar center distance (X). Measure from the fixed side of the clamp.
4. Set the distance between the clamps and then partially tighten all the slider bolts.

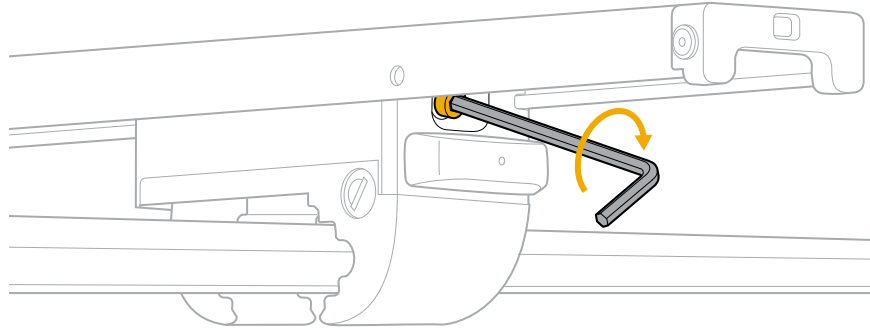
## THREE-PERSON TENT



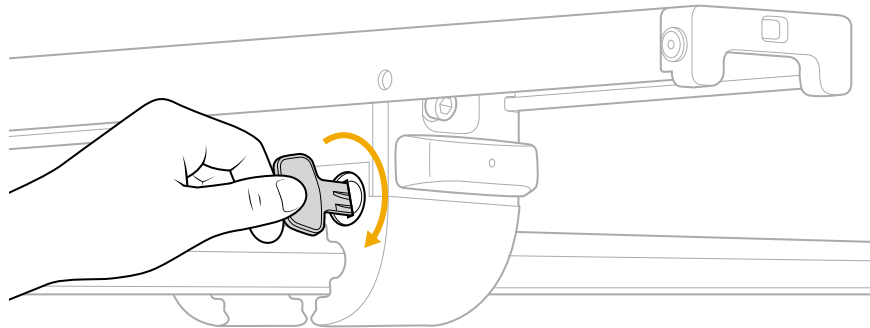
5. Ask a friend to help lift the tent onto the cargo crossbars.
6. Tighten the clamps as follows:
  - a. Tighten the clamps around the crossbars.



b. Completely tighten the slider bolt on each clamp.

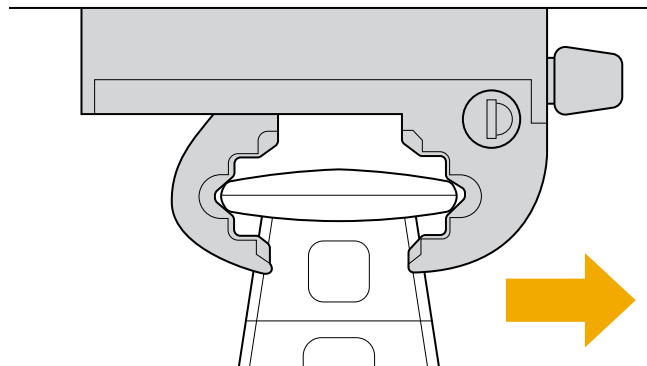


c. Lock the clamps with the key.



**CAUTION**

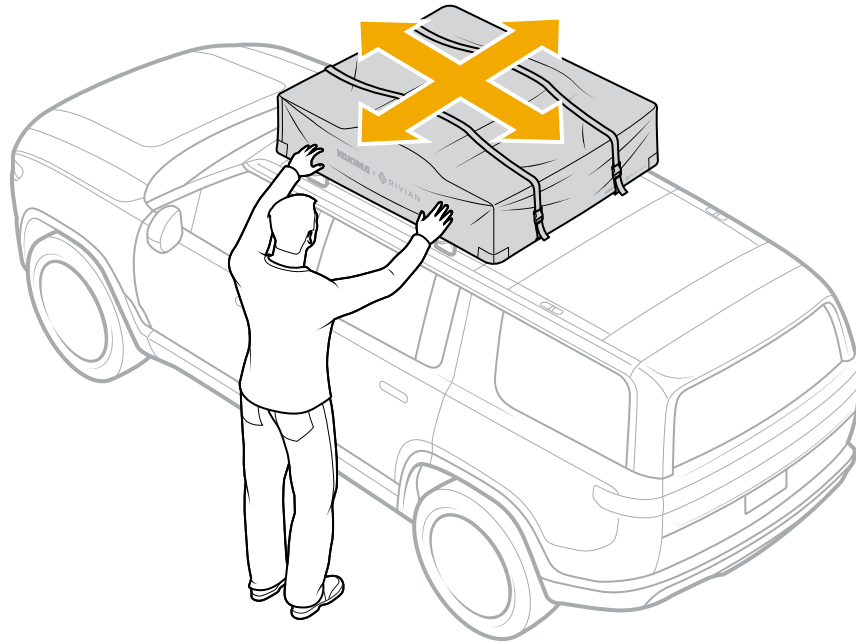
Ensure that you correctly seat the clamps on the crossbars so the tent doesn't slide.



## THREE-PERSON TENT

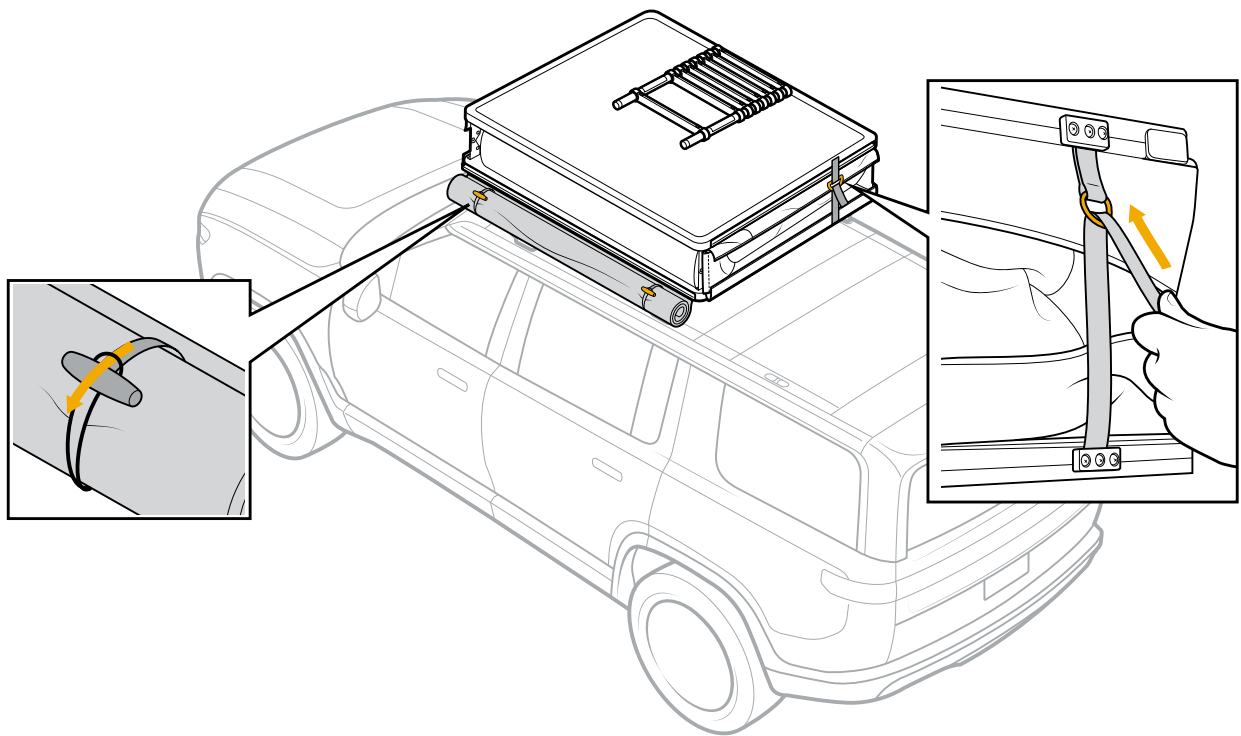
---

- d. Test the installation and retighten the clamps if necessary.



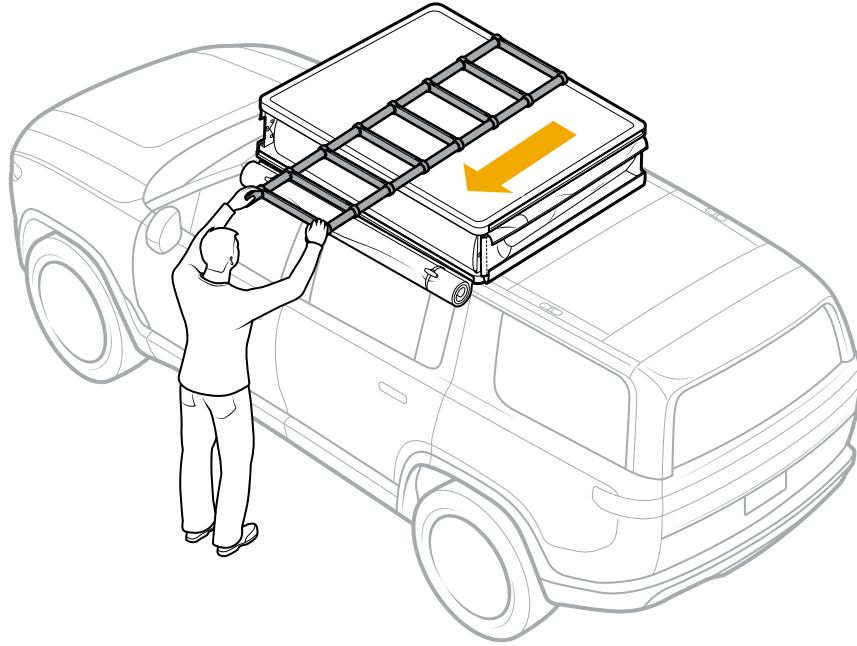
# Use the Three-Person Tent at a Campsite

1. Find a level place to park.
2. Unbuckle the cover and unzip the zipper on the outside of the cover.
3. Fold the tent cover, then roll it up and secure it with the ties.
4. Release the Velcro straps.

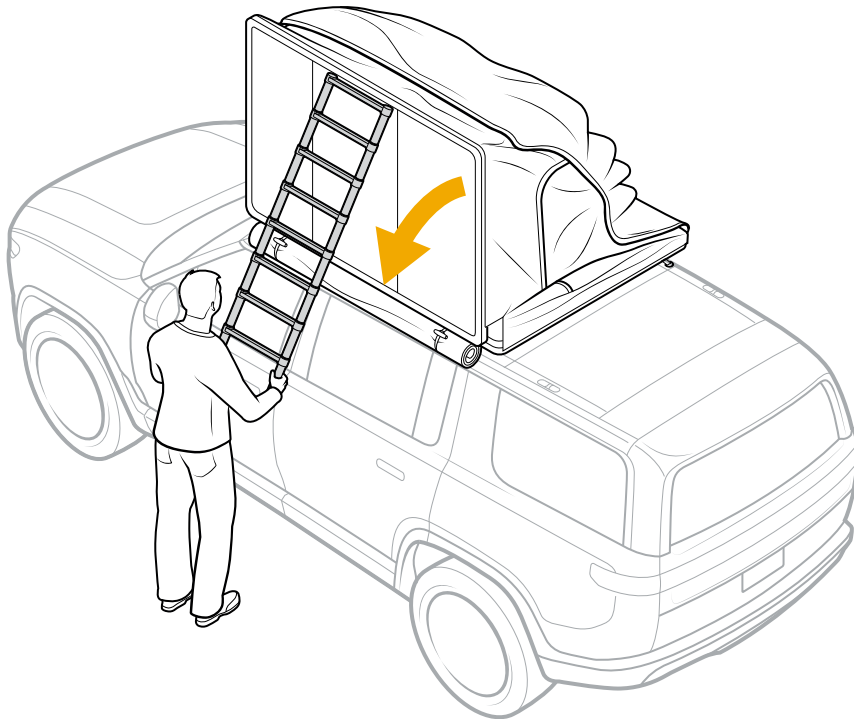


## DEPLOY THE TENT AND ADJUST THE LADDER

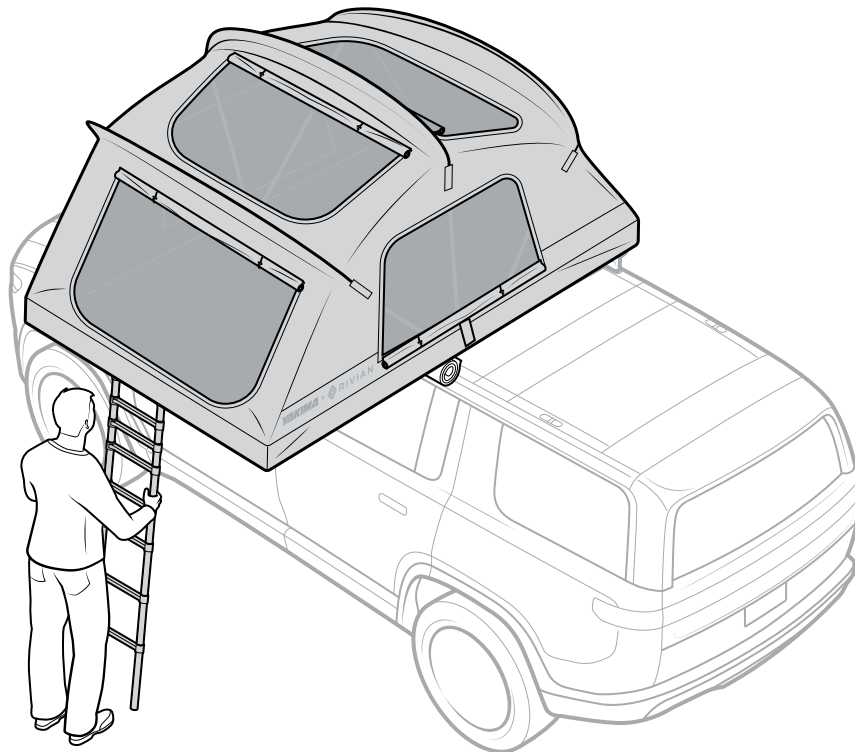
1. Release the ladder strap, then grab the bottom rung of the ladder and pull to extend the ladder.



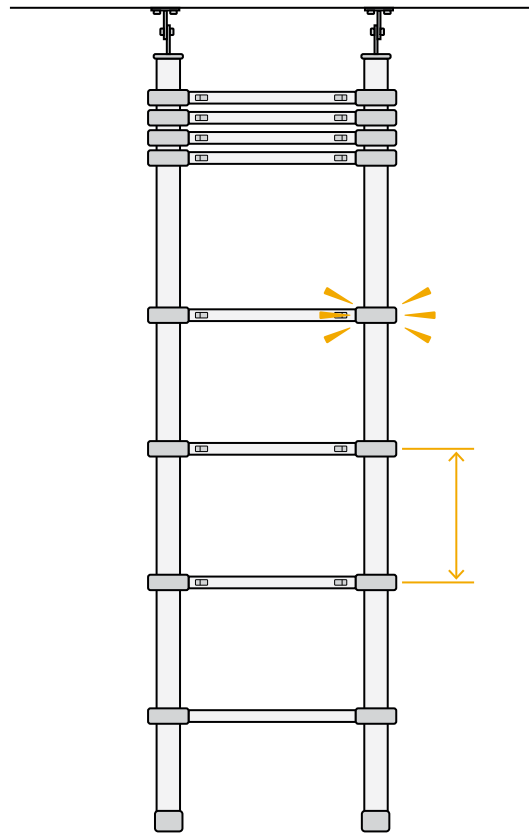
2. Push down on the ladder and walk two or three steps backward to open and unfold the tent.



- Securely grasp the ladder and use it to lower the tent until it is fully open and the floor of the tent is flat. Rest the feet of the ladder on the ground.



- Set the ladder as follows:
  - Ensure the top rung is locked into one of the three positions. Listen for a "click" sound as each rung locks into place.
  - Adjust the ladder so the tent floor is level.
  - Set the ladder angle between 75° and 90°.
  - Stack the unused rungs under the top step of the ladder.
  - Do not install ladder extensions.



**WARNING**

- Don't retract the ladder while it is in use. The ladder must remain in place to support the tent.
- Use caution while climbing up and down the ladder.
- Assist children on the ladder.

## USE THE RAINFLY

### NOTE

The easiest way to install the rainfly rods is from the inside of the tent.

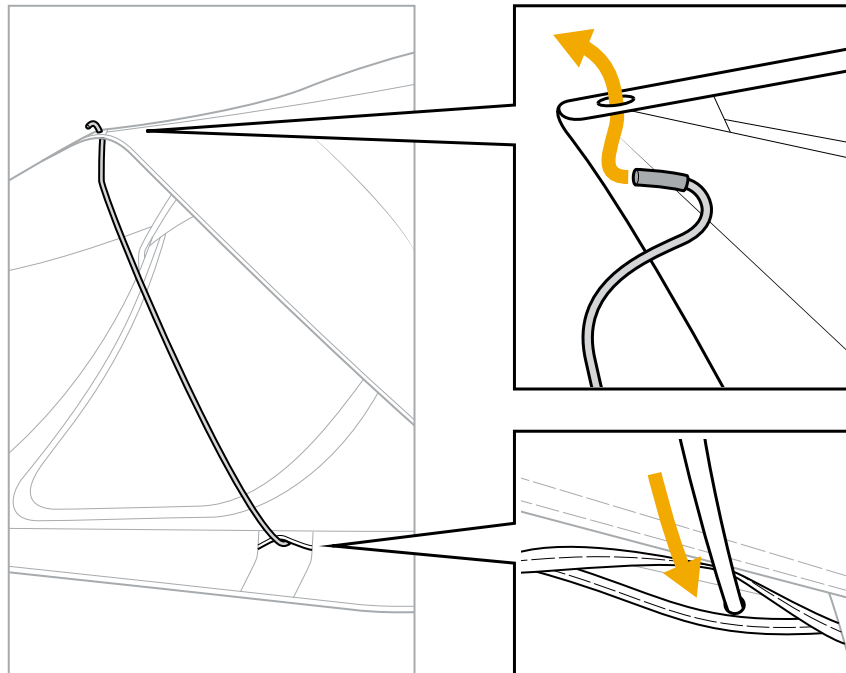
Use the following steps to attach the rainfly to the outside of the tent:

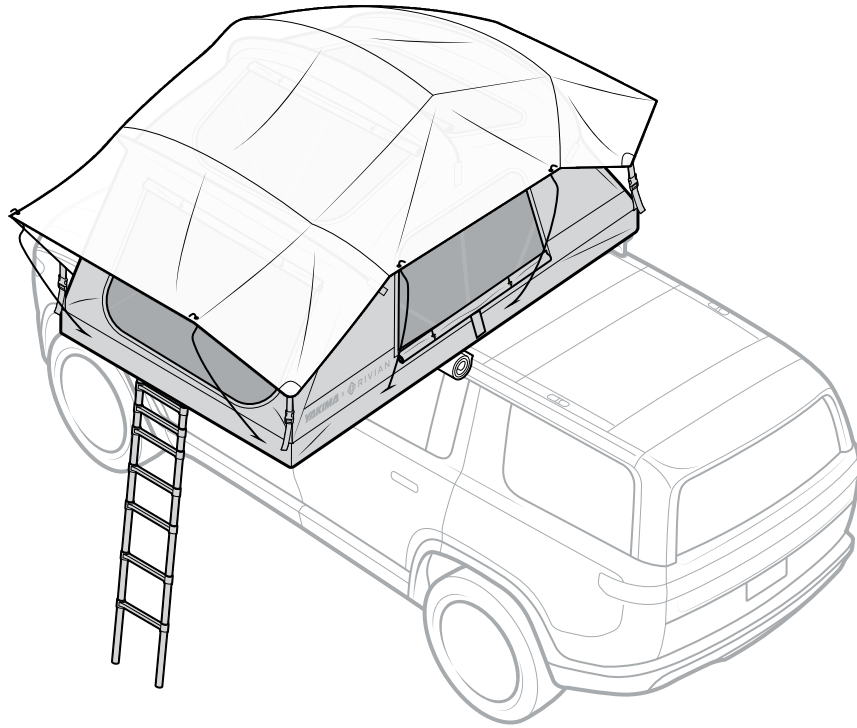
1. Climb into the tent with the rainfly rods.
2. Open the side windows and locate two rainfly rod flaps under each window.
3. Reach through the side window with a rainfly rod in hand. Install the straight end of the rainfly rod into the flap, and the curved end into the grommet holes on the rainfly. Repeat for other rainfly rods.



### CAUTION

The rainfly rods are under tension when installed. Position your body to the side of the rods when you install or uninstall them. The rod could spring out of place and cause injury if you are directly under the rod.



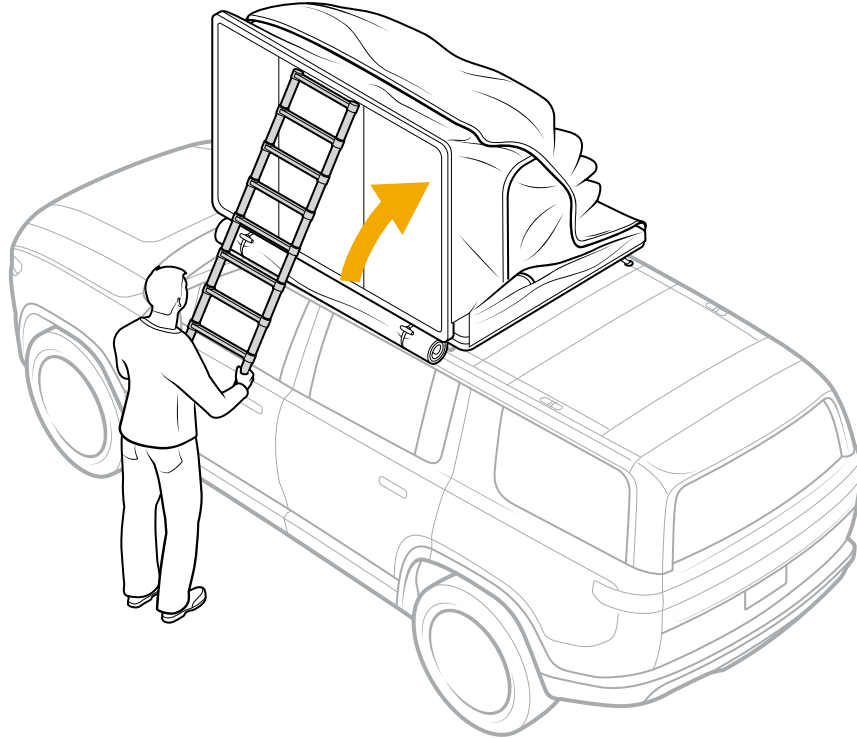


## Remove the Rainfly

1. To remove the rainfly, unhook the buckles and then carefully remove the rainfly rods from the inside of the tent.
2. Lift the rainfly with the rainfly hoops.

## CLOSE AND SECURE THE THREE-PERSON TENT

1. Use the ladder to retract and fold the tent back onto itself.

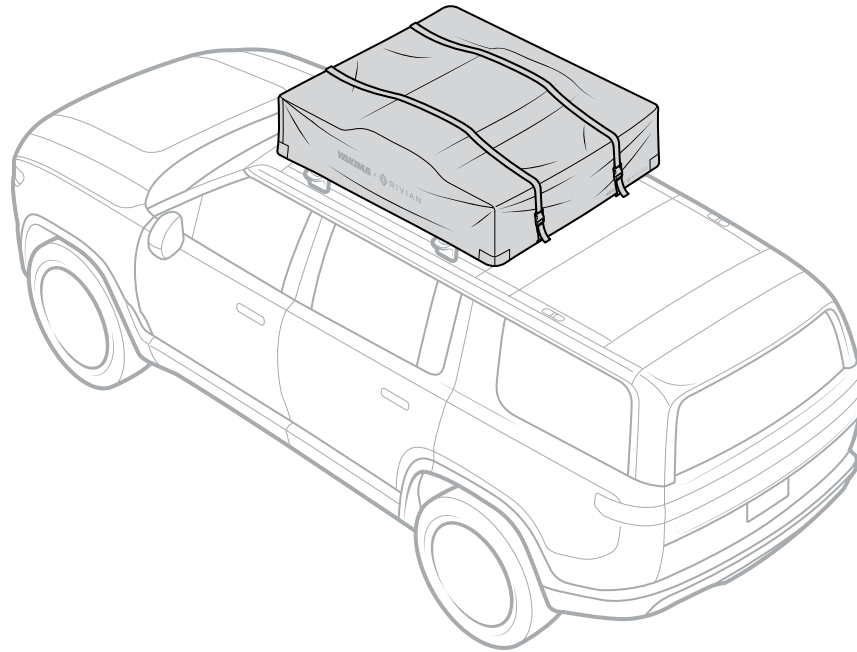


2. Collapse and fully retract the ladder.
3. Secure the Velcro straps.
4. Unroll the cover and fasten the Velcro around the cover to close it.



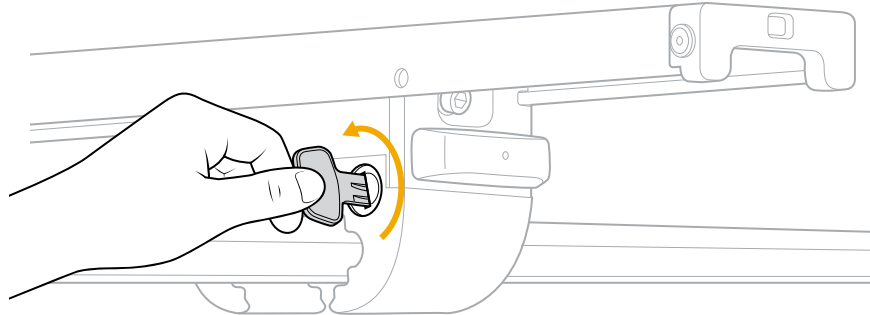
**WARNING**

Never operate your vehicle with the Three-Person Tent open! You must close and secure the tent before you drive the vehicle.

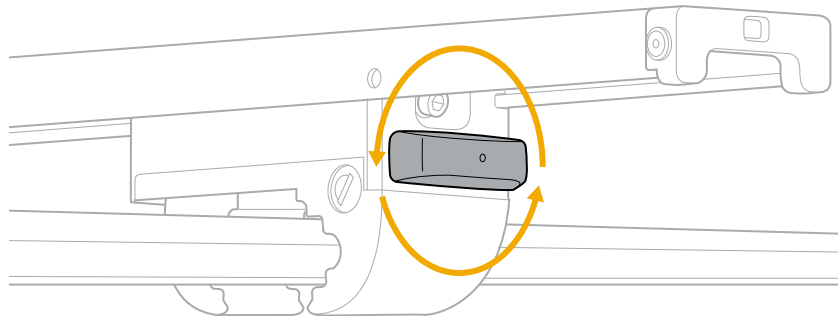


## REMOVE THE THREE-PERSON TENT

1. Unlock the clamps with the key.



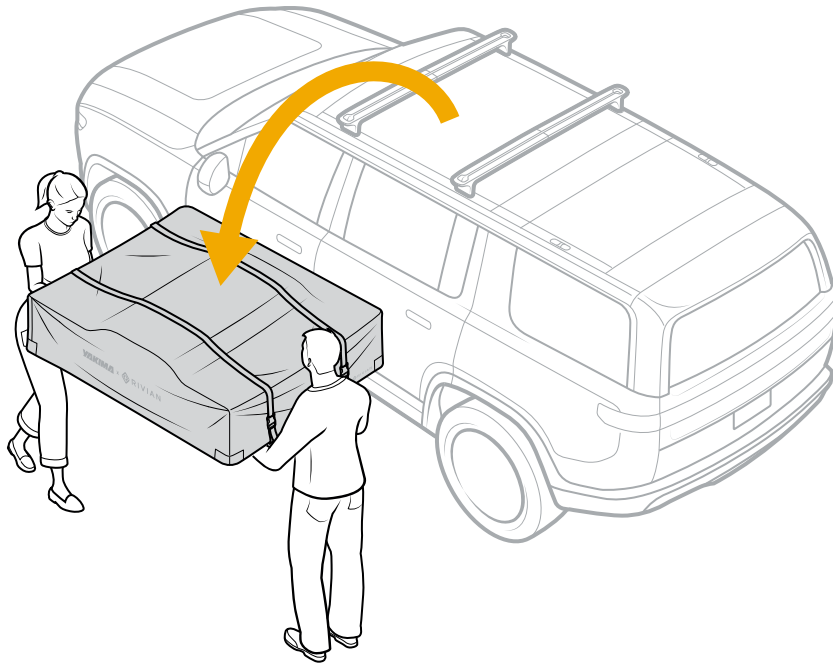
2. Fully open the clamp levers.



## USE THE THREE-PERSON TENT AT A CAMPSITE

---

3. Ask a friend to help remove the Three-Person Tent from the vehicle.



## WEIGHT LIMITS

Description	Weight
Maximum tent capacity	600 lbs (272 kg)
Maximum crossbar capacity, static (parked)	890 lbs (404 kg)
Maximum crossbar capacity, dynamic (driving)	250 lbs (113 kg)
Tent weight	115 lbs (52 kg)

Adjust the vehicle speed according to the transported load and to official speed limits. When transporting any load, the driver is responsible for considering the road conditions, road surface, traffic conditions, wind, and weather. Vehicle handling, cornering, braking, and sensitivity to side winds change with rooftop loads.

## WARNINGS



### WARNING

- Remove the tent and crossbars before you take the vehicle through an automated car wash.
- Do not use fuel-burning or oxygen consuming devices inside the tent. This includes candles, gas lanterns, kerosene lamps, stoves, and cooking and heating appliances.
- Do not set up the tent near a campfire or any other flame source.
- Inspect the mounting hardware before you drive the vehicle.
- Never extend the ladder beyond the pre-drilled holes and factory locking position.
- Do not drill additional holes in the ladder.
- When in use for the Three-Person Tent, ensure that the ladder angle is between 75° and 90°.

## CARE AND MAINTENANCE

Here are some recommended care and maintenance tips that may help prolong the life of your Three-Person Tent:

- Inspect the rooftop tent mounting hardware before each use. If necessary, clean the hardware with a solution of mild detergent and water. Periodically lubricate the threads on the hardware with a light, synthetic bicycle lubricant.
- Dry the rooftop tent thoroughly before you close it. If unable to properly dry your rooftop tent, open it up to air-dry at your earliest opportunity.
- Failure to properly dry out the tent may cause growth of mold or mildew, which can degrade the tent material, and cause a foul odor. Mold and mildew growth is not covered under your warranty.
- Store the tent in a cool, dry indoor location when not in use to prolong its life. Ensure that the tent is fully dry before you store it. Pick a location that is free from direct sunlight.
- Pull the zippers with a gentle and even force. Never force a zipper open or closed as it may damage the zipper. Keep your zippers free from dust and dirt. Periodically apply a non-scented beeswax to the zipper teeth as lubrication.
- Wipe dirt and dust from the ladder before collapsing the tent.
- Periodically wipe down the aluminum telescoping side rails of the ladder with silicone spray and a cloth. DO NOT apply silicon spray on the ladder tread surfaces.
- Keep your mattress dry and free from dirt. Before closing your rooftop tent, lift your mattress and ensure the underside is dry. Remove the mattress and air-dry if necessary.
- To clean the mattress cover, remove it and machine wash on a gentle cycle setting with *Woolite*™ detergent. Hang dry. Don't tumble dry.
- To clean the outside of your rooftop tent, use a sponge with warm water and a mild detergent. Rinse clean with a wet sponge. Allow the tent to dry thoroughly.
- To clean mold or mildew, clean the affected tent fabric with a sponge and a solution of 1 cup *Lysol*™ mixed with 1 gallon of hot water. Allow the tent to dry thoroughly. Next, prepare a solution of 1 cup lemon juice concentrate and 1 cup salt mixed into 1 gallon of hot water. Sponge the solution directly into the affected areas to rinse out the Lysol solution. Then allow the tent to air dry thoroughly. These actions can stop the growth of the mildew and help eliminate odor. However, this procedure may not remove the stains.

# Customer Service

Still need help? Connect with us.



## Customer Engagement Center

---

(888) RIVIAN1 / (888) 748-4261  
[customerservice@rivian.com](mailto:customerservice@rivian.com)  
[rivian.com/support](https://rivian.com/support) Support Center and Chat

## Insurance

---

(888) RIVIAN8 / (888) 748-4268

## Roadside Assistance 24/7

---

(844) RIVIAN4 / (844) 748-4264

## Service 24/7

---

(855) RIVIAN5 / (855) 748-4265