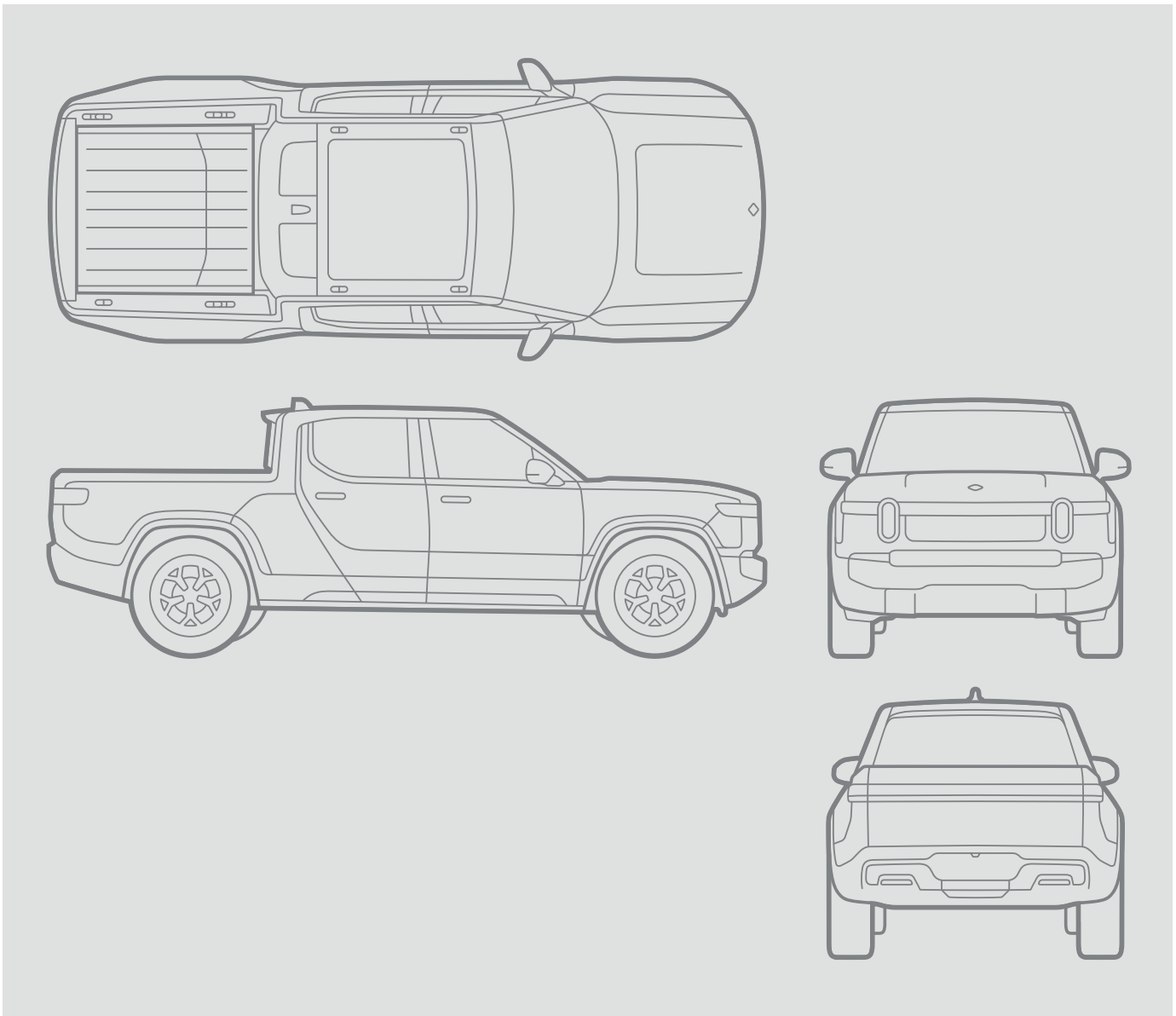


R1T

Owner's Guide





© 2021-2022 Rivian Automotive, LLC. All rights reserved.

All information in this document and all Rivian software is subject to copyright and other intellectual property rights of Rivian Automotive, LLC, its affiliates, or its licensors. This material may not be modified, reproduced, or copied, in whole or in part, without the prior written permission of Rivian Automotive, LLC, its affiliates, or its licensors. Unless indicated otherwise, all trademarks are owned and registered by Rivian Automotive, LLC, its affiliates, or its licensors in the United States and/or other countries. Please visit <https://www.rivian.com/legal/brand> for Rivian's trademarks and service marks.

Software embedded or accessed by the vehicle may utilize open source software. Please visit <https://www.rivian.com/legal/open-source> for more information.

Some features may not be available when your vehicle is built.

Contents

Introduction	8
Symbols Used in Owner's Guide	8
High-Voltage Dangers	9
Exterior	10
Front and Rear	10
Truck Bed	11
Driver's Side	12
Interior	13
Front	13
Rear	14
Access, Safety, and Climate	15
Opening and Closing	15
Locks and Keys	15
Door Handles	21
Child Locks	22
Seating	23
Airbags (Supplemental Restraint System)	23
Seats	28
Seat Belts	30
Head Restraints	33
Child Seats	35
Windows and Mirrors	41
Windows	41
Side Mirrors	42
Rearview Mirror	44
Lights	44
Exterior Lights	44
Cabin Lights	48
Rivian Torch	49
Climate	51
Change Climate Control Settings	51
Use the Seat Climate Controls	57
Heat the Steering Wheel	59
Defrost the Windows	60
Sun Visors	60
Audio and Phone	62

Audio	62
Use the Rivian Elevation Sound System	62
Alexa	63
Overview and Setup	63
Disable Wake Word	64
Things You Can Ask Alexa	64
Mobile Device Support	66
Pair Bluetooth	66
Cellular Connectivity	66
Connect to Wi-Fi	67
Phone Call	68
Rivian Account	69
Rivian App	70
Smartphone Integration	71
Updates	71
Device Charging	72
Charge Ports (USB-C)	72
Wireless Charger	73
Driving	75
Basic Vehicle Operations	75
Power On or Off	75
Brakes	75
Select a Gear	76
Driving Controls	77
Status Indicators	77
Steering Wheel Controls	82
Display Screens	85
Power Gauge	86
Wipers	87
Vehicle Hold	89
Emergency Deceleration	89
Electronic Stability Control	90
Drive Modes	91
Choose a Drive Mode	91
Ride Height	94
Driver+	96
Adaptive Cruise Control and Highway Assist	96
Automatic High Beams	101
Rear Cross-Traffic Alert	102
Park Assist	104

Blind Spot Warning	107
Collision Mitigation	108
Lane Safety	111
Charging	114
Charge at Home	114
Charge on the Road	114
Rivian Adventure Network	114
Rivian Waypoints	114
Public Chargers	114
Trip Planner	114
Charge the Vehicle	115
Start a Charge Session	115
Set the Charge Limit	116
Check Charge Status	116
Time to Charge	117
Stop a Charge Session	117
Set a Charge Schedule	117
Range	118
Effects on Range	118
Low Battery	119
Battery Life	120
Portable Charger	120
Important Safety Instructions	120
Parts Diagram	123
Attach or Remove an Adapter	123
Charging	124
User Maintenance Instructions	125
Moving and Storage Instructions	125
Installation Instructions	126
Troubleshoot Your Portable Charger	126
Specifications	127
Storage and Security	128
Interior Storage	128
Center Console	128
Rear Seat Armrest	129
Door Pockets	130
Seat Back Pockets	130
Under-Seat Storage	130
Exterior Storage	131
Protect Your Gear	131

Front Trunk	132
Spare Tire Compartment	133
Cargo Crossbars	134
Tailgate	137
Truck Bed	139
Tonneau Cover	139
Use the Gear Tunnel Storage	140
Security	145
Use the Gear Guard Security System	145
Use the Gear Guard Alarm	149
Camping and Off-Road	150
Camping	150
Rivian Camp Speaker	150
Air Compressor	158
Field Kit	160
Power Outlets	160
Off-Road Driving	162
Drive Across Water	162
Towing and Loading	164
Tow Hitch	164
Service and Maintenance	168
Tires	168
Tires and Wheels	168
Tire Pressure Monitoring System	175
Seal a Flat Tire	176
Install the Tire Jack	178
Change a Tire	181
Lift the Vehicle	182
Routine Maintenance	186
Wiper Blades	186
Windshield Washer Fluid	187
Cleaning	188
Interior Cleaning	188
All-Weather Floor Mats	188
Exterior Cleaning	189
Troubleshooting and Help	192
Troubleshooting	192
Manually Release the Charge Plug	192
Jump Start the 12 V Batteries	192
Manually Open the Hood	193

Overheating	194
Perform a Restart	194
System Failures	196
Reporting Safety Defects in the United States	196
Roadside Assistance	197
SOS	197
Transport the Vehicle	198
Legal and Reference	203
Legal	203
Certification Conformity	203
State-Specific Disclaimers	206
Event Data Recorder	207
Privacy and User Data	207
Quality Control	207
Customer Service	208

Introduction

SYMBOLS USED IN OWNER'S GUIDE

The following are the meanings of symbols used in the Owner's Guide.



DANGER

Risk of electrocution or electric shock



DANGER

Risk of major injury such as

- fire
- chemical or poison
- crushing
- maiming
- death



WARNING

Risk of minor injury



CAUTION

Risk of

- damage to vehicle or property
- data disruption
- voiding warranty

IMPORTANT

Instructions to successfully complete a task

NOTE

Useful information

HIGH-VOLTAGE DANGERS



DANGER

You could be electrocuted, seriously injured, or die if you attempt to perform your own service or repair on high-voltage systems.

Rivian vehicles contain lithium-ion battery packs, extremely high-voltage cables (400-450 V), electrical outlet cables (120 V), traditional car batteries (12 V), compressed gas, and triggering devices.

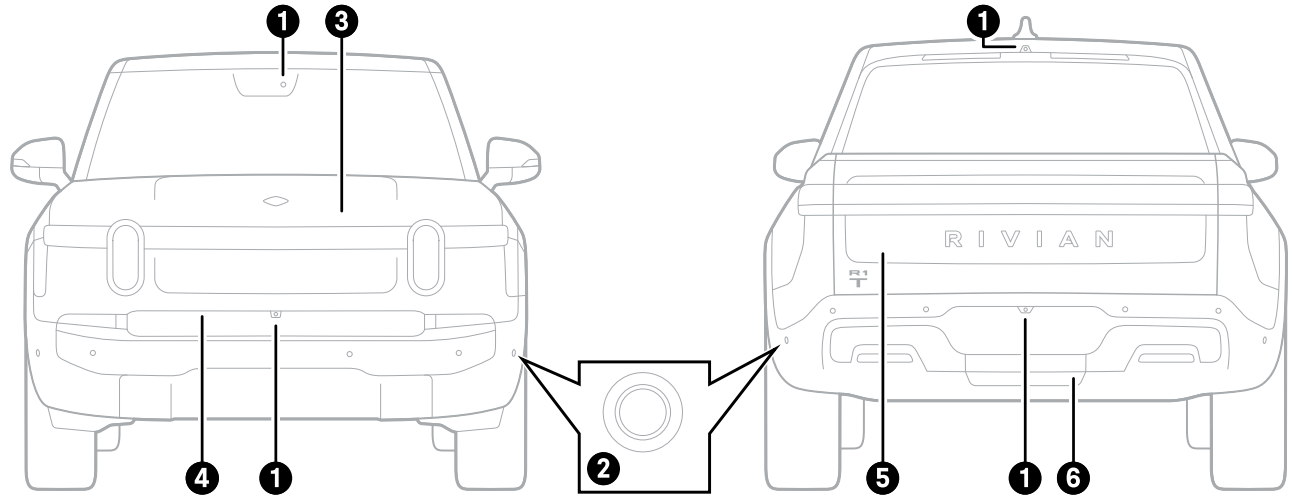
High-voltage components are identified by labels. Don't remove, open, take apart, or modify these components. High-voltage cable or wiring has an orange covering. Don't probe, tamper with, cut, or modify high-voltage cables or wiring. Always assume the vehicle is energized.

Rivian strongly recommends that you have all service and repair work done at a Rivian-authorized service center, mobile service vehicle, or repair facility. However, if you choose to do your own service or repair work, visit Rivian's website to purchase a Service Manual subscription.

Service and repair of high-voltage systems should only be performed by a trained technician with the proper knowledge and tools. It is dangerous to perform your own service or repair work on high-voltage systems. Exposure to high voltage can cause electrocution, severe injury, or death.

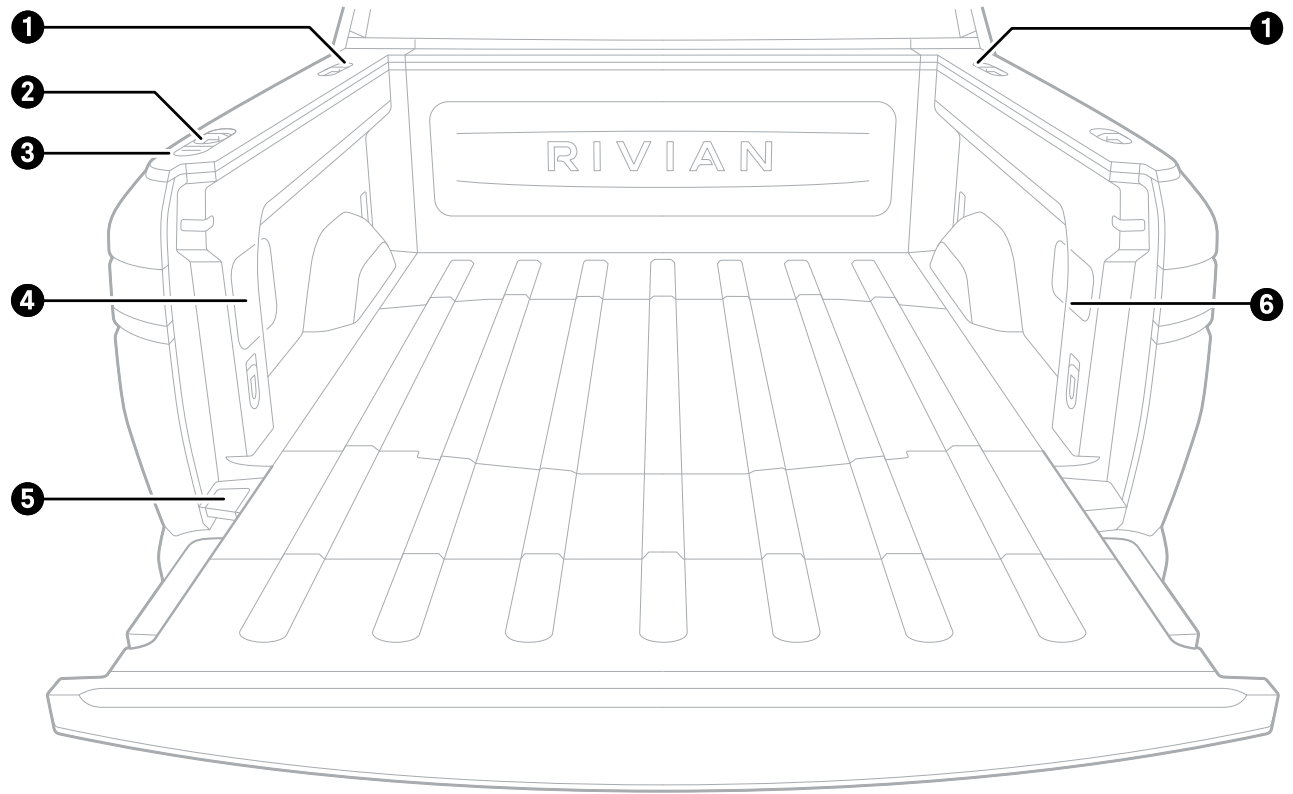
EXTERIOR

Front and Rear



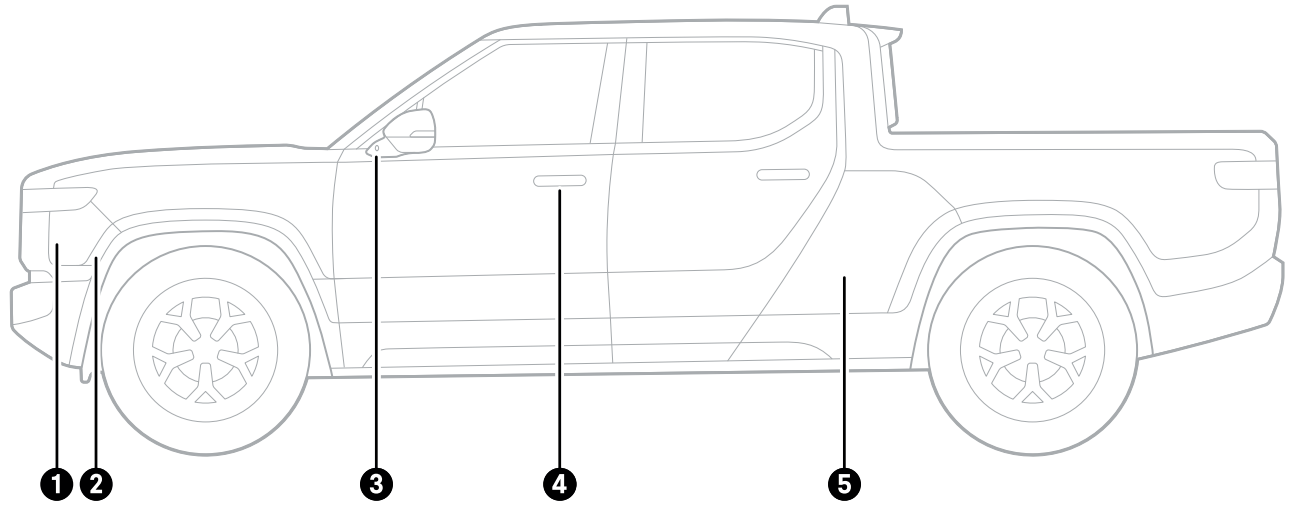
Item	Description
1	Cameras
2	Ultrasonic sensors
3	Front trunk
4	Front trunk button (hidden)
5	Tailgate
6	Towing receiver hitch

Truck Bed



Item	Description
1	Gear tunnel release buttons
2	Tonneau cover button
3	Tailgate release button
4	Air compressor
5	Spare tire compartment lever
6	Power outlets

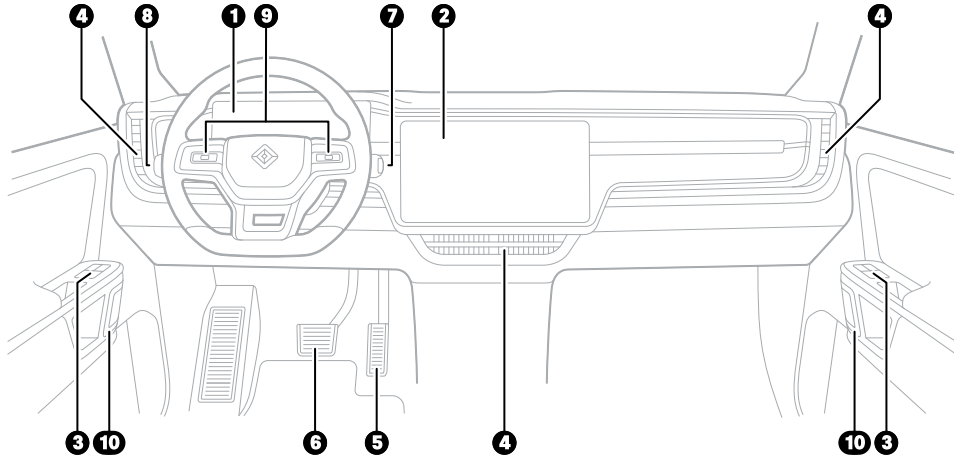
Driver's Side



Item	Description
1	Charge port door
2	Charge port door sensor
3	Side mirror camera
4	Door handle / key card reader
5	Gear tunnel

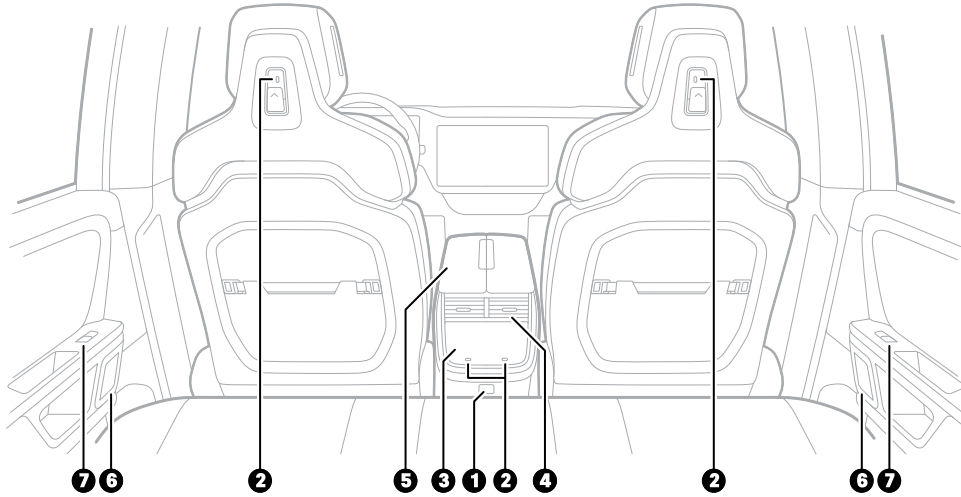
INTERIOR

Front



Item	Description
1	Driver display
2	Center display
3	Window controls
4	Vents
5	Accelerator pedal
6	Brake pedal
7	Drive stalk
8	Lights stalk
9	Thumb controls
10	Interior door handles

Rear



Item	Description
1	Power outlet
2	USB-C outlets
3	Rear display
4	Rear vents
5	Center console
6	Door handles
7	Window controls

Access, Safety, and Climate

OPENING AND CLOSING

Locks and Keys

You can use any of the following keys to lock or unlock the vehicle:

- Key fob
- Phone key
- Key card
- Key band

ACTIVE AND PASSIVE ENTRY

You can actively or passively lock/unlock the vehicle, depending on the type of key.

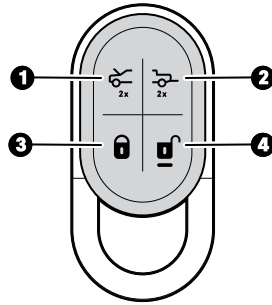
- **Active lock/unlock:** Press a button on the key fob, use the Rivian Mobile App, or hold the key card or key band on the driver's door handle.
- **Passive lock/unlock:** Automatically locks/unlocks the vehicle when you are in close proximity.

Key	Lock/Unlock Capability
Key fob	Active
Phone key	Active or passive
Key card	Active
Key band	Active

NOTES

- To change default settings for locks and keys, see the Settings menu in the Center Display.
- The doors automatically lock when you start driving.

KEY FOB



Number	Description	Button Sequence	Function	
1	Front Trunk	• •	Double press	Open or close the front trunk
		•	Press	Pause the front trunk when in motion. Press the button again to change direction.
2	Tailgate	• •	Double press	Open the tailgate
3	Lock	•	Press	Lock all doors Configure this option from the center display.
		• •	Double press	Lock all doors
		—	Hold	Activate panic alarm Press Lock or Unlock on the key fob to stop the alarm.
		• —	Press then press and hold	Lock all doors and roll up all windows
4	Unlock	•	Press	Unlock driver's door or all doors Configure this option from the center display.
		• •	Double press	Unlock all doors
		• —	Press then press and hold	Unlock all doors and roll down all windows

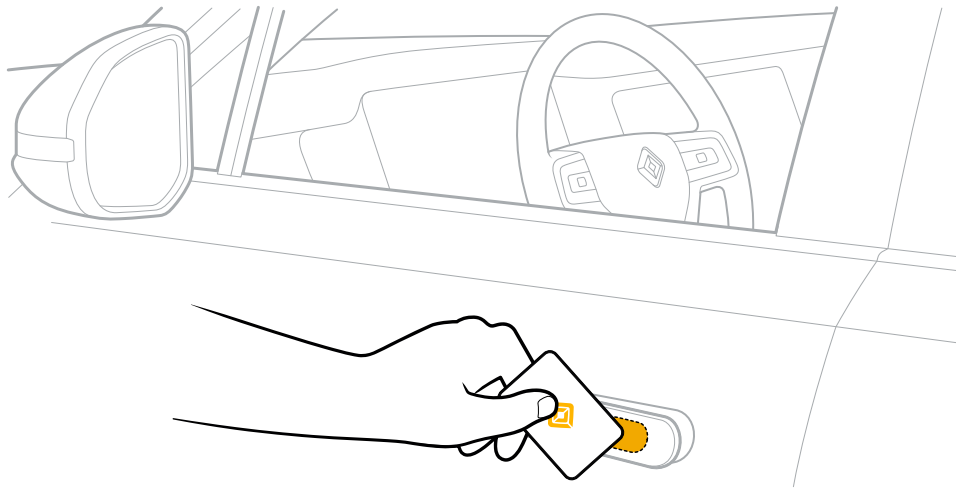
KEY CARD

Unlock the Vehicle with the Key Card

Touch the key card on the exterior driver's door handle to unlock or lock the vehicle. Hold the card on the handle for a few seconds.

NOTES

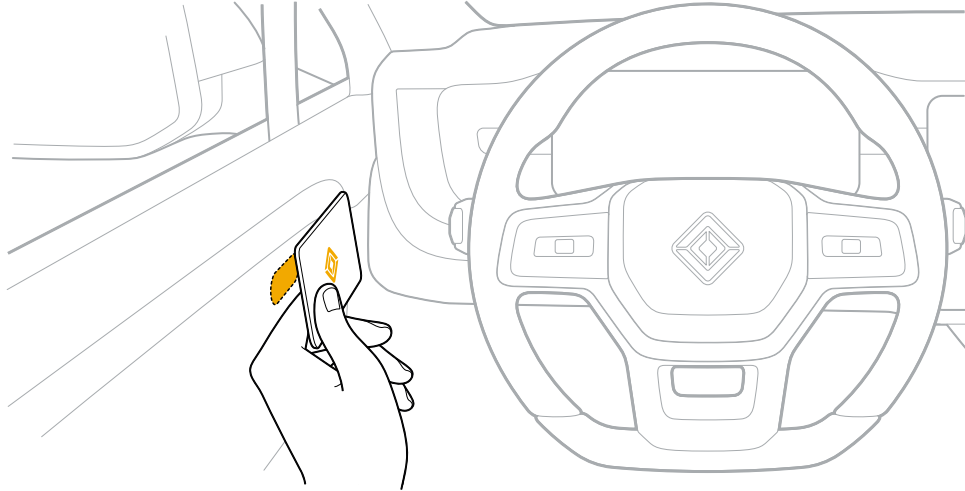
- The reader is located on the outer end of the driver's door handle.
- You can't use the key card on the passenger doors.



Drive with the Key Card

When there is no key fob or phone key present, you have 60 seconds to start the vehicle. After the 60 second timeout, you must touch the key card on the sensor on the interior trim of the driver's door to start the vehicle.

Hold the card on the reader for a few seconds. The vehicle chimes to confirm the key card.



NOTE

The card reader is located on the interior driver's door trim and isn't marked.

KEY BAND

- Hold the key band on the exterior driver's door handle for a few seconds to lock or unlock the vehicle.
- When there is no key fob or phone key present, you have 60 seconds to start the vehicle. After the 60 second timeout, you must tap the key band on the sensor on the interior trim of the driver door to start the vehicle.

NOTE

Refer to the [Key Card](#) section for more detail.

MOBILE APPLICATION

- Press the lock/unlock button in the Mobile App to lock or unlock the vehicle.
- You can pair up to two *Bluetooth*[®] Low Energy (BLE) smartphones, with the vehicle.

CENTER DISPLAY

You can lock or unlock the doors from the center display.

Lock or Unlock from the Status Bar

The lock/unlock icon in the upper left corner of the center display shows the lock status.

Icon	Lock Status
Lock	All doors are locked. Press the lock icon to open all doors.
Unlock	Press the unlock icon to lock all doors. If at least one door is unlocked, the unlock icon appears in the status bar. <ul style="list-style-type: none">• Press the unlock icon to unlock all doors.• Press the unlock icon again to lock all doors.

Lock or Unlock from the Access and Security Page

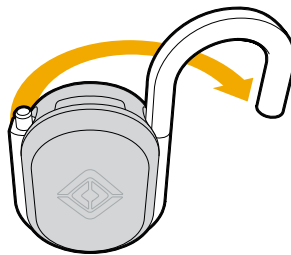
The Access and Security page shows a top view of the vehicle with a lock and an unlock icon.

- Press the lock icon to lock all doors.
- Press the unlock icon to unlock all doors.

REPLACE THE KEY FOB BATTERY

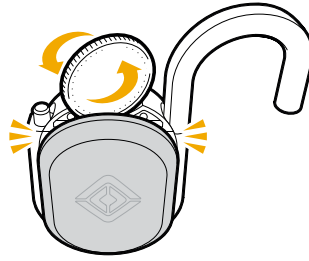
Remove the Key Fob Cover

1. Hold the key fob so the Rivian logo faces you.
2. Pull up and turn the carabiner hook to expose the slot at the top of the key fob.



3. Insert a coin in the slot at the top of the fob.

4. Gently pry the cover off of the key fob by pushing the coin away from you.




5. Carefully remove the cover to avoid damaging the tabs.

Remove and Replace the Battery

1. Remove the coin cell battery from the holder.
2. Insert a new CR2450 (or equivalent IEC60086-4 compliant) coin cell battery in the battery holder.

NOTES

- Recycle used coin cell batteries at a battery recycling center or dispose in accordance with local laws.
- Key fob environmental storage and operating conditions are -22°F to 122°F (-30°C to 50°C).
- The ISO7000-1641 operator's manual symbol  is printed inside the key fob.

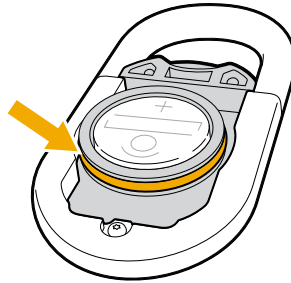


DANGER

- Don't ingest the battery. Chemical burn hazard.
- The key fob contains a coin cell battery. If the coin cell battery is swallowed, it can cause severe internal burns in 2 hours and can lead to death.
- If you think batteries might have been swallowed or placed inside any part of the body, seek immediate medical attention.
- Keep new and used batteries away from children.

Re-install the Key Fob Cover

1. Ensure the o-ring is installed in the key fob cover.



2. There are two tabs on the bottom of the cover. Install the two bottom tabs first and then snap the top tab into the key fob.
3. Press to seal the cover.



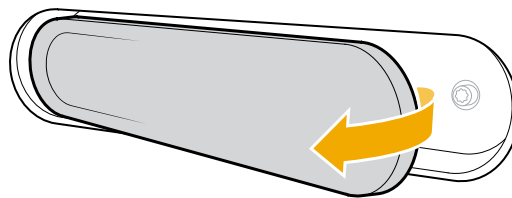
WARNING

If the key fob doesn't close securely, stop using the product and keep it away from children. Contact Rivian Service for a replacement.

Door Handles

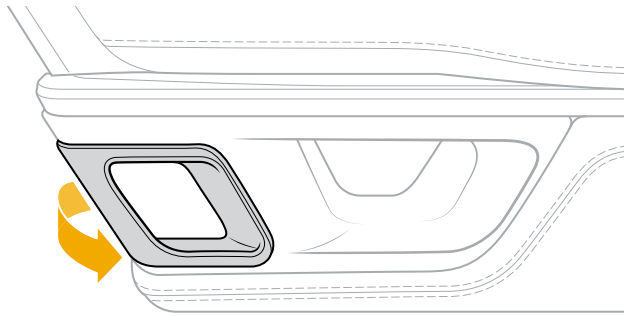
EXTERIOR HANDLES

When you [unlock the vehicle](#), the exterior door handles will present. Pull the handle to open the door. They will retract and lock when you are driving.



INTERIOR HANDLES

Pull the grab handle to close the door. Pull the interior door handle to open the door. If the door is locked, pull twice to unlock and open.



Child Locks

Child locks are available on the rear vehicle doors. When child locks are engaged, the door can only be opened from the outside, preventing accidental opening from the door handle on the inside of the vehicle.

ENGAGE CHILD LOCKS

1. Open the rear door and locate the rubber circle on the door's edge.
2. Pry off the circle.

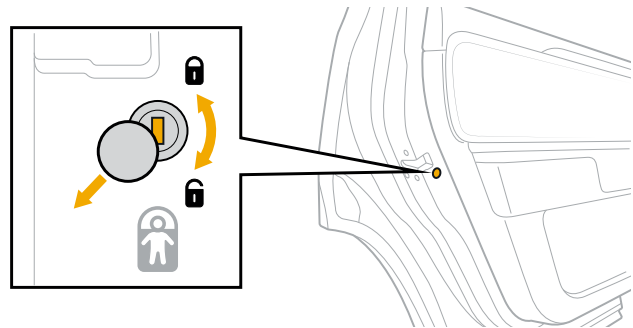


CAUTION

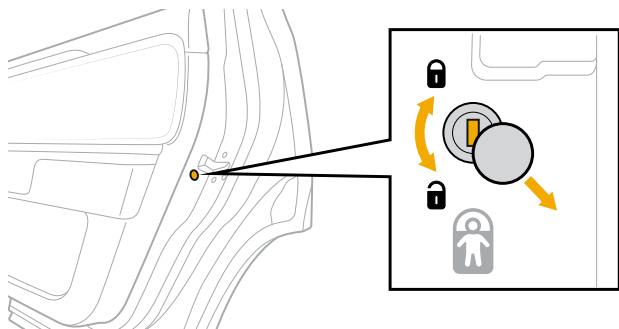
Don't use a tool that may damage the paint on your vehicle.

3. Using a flat-head screwdriver or tip of a key, rotate the child lock about a quarter turn to engage it.

- **Driver-side door:** Rotate counter-clockwise to engage the child lock.



- **Passenger-side door:** Rotate clockwise to engage the child lock.



4. Replace the rubber circle over the child lock by firmly pushing it back into place.

DISENGAGE CHILD LOCKS

The child locks have to be manually disengaged in order to open the rear vehicle doors from the inside.

1. Open the rear door and locate the rubber circle on the door's edge.
2. Pry off the circle.
3. Using a flat-head screwdriver or tip of a key, rotate the child lock about a quarter turn to disengage it.
 - **Driver-side door:** Rotate clockwise to disengage the child lock.
 - **Passenger-side door:** Rotate counter-clockwise to disengage the child lock.
4. Replace the rubber circle over the child lock by firmly pushing it back into place.

SEATING


Airbags (Supplemental Restraint System)

This vehicle is equipped with supplemental restraint system (SRS) airbags, designed to help protect the driver and front passengers from injuries. The airbags supplement the crash protection provided by correctly fastened seat belts. The vehicle is equipped with airbags and shoulder and lap seat belts for the driver and passengers.

The supplemental airbags are not a substitute for wearing [seat belts](#). All occupants, including the driver, should wear their seat belts. Failure to use seat belts increases the risk of severe injury or death in the event of a crash.

The airbags don't require routine maintenance. If it is necessary to modify the airbag system for a person with disabilities, contact [Rivian Service](#). The modification may affect the function of the advanced airbag system.

AIRBAG SYSTEM STATUS

Before you drive the vehicle, the Airbag Status indicator  appears in the driver display for a few seconds during the initial function check when you start the vehicle. After the function check, the Airbag Status indicator turns off. The components in the safety system monitored by the indicator are as follows:

- First row driver and passenger airbags, designed to work with seat belts
- First row seat belts with pretensioner and seat belt usage sensors
- Seat belts with pretensioners in the second row outboard seating positions
- Driver seat position sensor
- First row driver and passenger knee airbags
- First row side airbag
- First and second roof rail airbags
- First row passenger occupant classification system
- Front crash sensors
- Side and rollover crash sensors
- Restraints control module
- Restraints warning lamp and tone
- High-voltage disconnect
- Electrical wiring that interfaces with the airbag sensor, seat belts, pretensioners, and high-voltage system
- Chassis stability control sensors

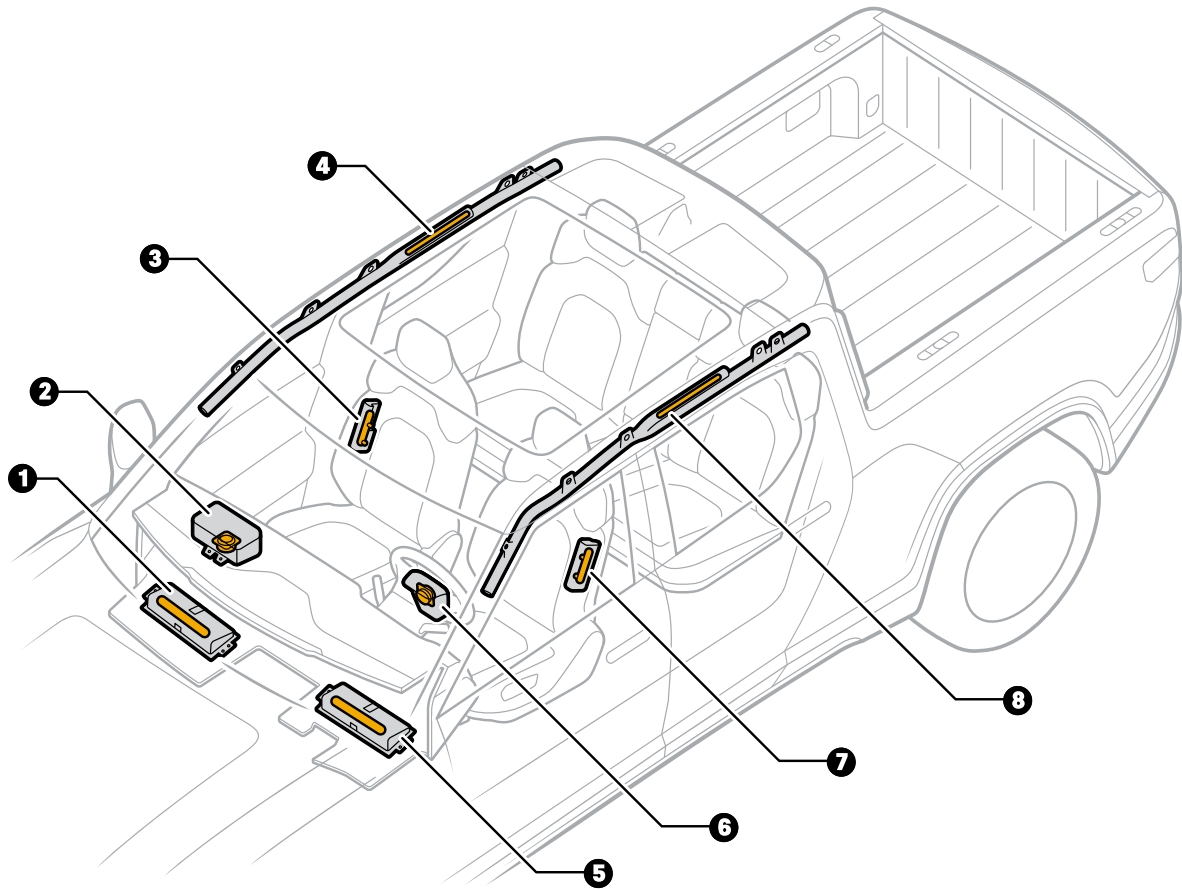
If the airbag system has a fault, the Airbag Status indicator remains on. Contact [Rivian Service](#) for repair.

HOW THE AIRBAGS WORK

The airbag system sensors detects the severity of a crash when the crash conditions reach a certain threshold. When the threshold is reached, the specific restraints will deploy. If there is significant vehicle deceleration, the airbags deploy instantly with a loud sound. Not all collisions deploy the airbags. For example, certain low severity collisions and rear collisions don't deploy the airbags.

AIRBAG LOCATIONS

Airbag inflators are positioned around passengers in the cabin.



Airbag Inflator	Description
1	Front passenger knee airbag inflator
2	Front passenger airbag inflator
3	Side airbag inflator
4	Roof rail airbag inflator
5	Driver knee airbag inflator
6	Driver airbag inflator
7	Side airbag inflator
8	Roof rail airbag inflator

DRIVER AND PASSENGER AIRBAGS

The driver and passenger airbags perform the following functions:

Location	Function
Driver and front passenger airbags	In frontal crashes and crashes with frontal deceleration, the driver and front passenger airbags help protect the front occupants from frontal impacts and other directional impacts.
Driver and front passenger knee airbags	The knee airbags work with the driver and front passenger airbags to help protect the lower extremities of the driver and front passenger. The knee airbags also help position the driver and passenger to improve the effectiveness of the front airbags.
Roof rail airbags	The roof rail airbags inflate along the side windows to help protect the driver and passengers from a significant side impact, rollover, or near rollover. The roof rail airbags inflate from the roof rail between the front and rear seats.
Side airbags	The side airbags inflate from the sides of the driver and front passenger seats. These airbags may help prevent injury from side impact and some frontal impacts.

WARNINGS

Maintain Distance from Side and Roof Rail Airbags



DANGER

Passengers, including children, should not lean against or sleep on the side windows or doors, even if they are in a child restraint. The roof rail and side airbags need room to inflate and could cause severe injury or death if passengers are too close to the airbags. Always wear seat belts, even though you have roof rail and side airbags.

Maintain Proper Positioning



DANGER

- Maintain a distance of at least 10 in (25 cm) between the driver's chest and the driver's airbag, as recommended by the National Highway Traffic Safety Administration (NHTSA).
- Never place a rear-facing child seat in front of an active airbag. The safest place for children 12 years old and under is in the rear seats in a suitable child restraint.

Objects Can Interfere with Airbags



DANGER

- Don't place objects on or near the airbags. Objects in front of the airbags can cause serious injury if the airbags deploy in a severe collision.
- Don't mount equipment or place objects along the interior headliner or on the vertical pillars near the seat belts. Such objects may prevent the side or roof rail airbags from deploying in a severe collision.
- Don't install seat covers. Seat covers could prevent the side airbags from inflating.

Airbag Components May Be Hot After Deployment



WARNING

Some airbag system components, such as inflators, may be hot after airbags are deployed. To reduce the risk of injury, don't touch the airbag system components after inflation.

PASSENGER SEAT OCCUPANT CLASSIFICATION SYSTEM

This vehicle has a passenger seat Occupant Classification System (OCS) that disables the passenger airbag under certain conditions:

- The front passenger seat is unoccupied.
- Lightweight objects such as a bag or backpack are on the seat.
- A child is seated in a child restraint, booster seat, or if a very small child is in the seat. The safest place for children 12 years old and under is in the rear seats in a suitable child restraint, even if the vehicle is equipped with an Occupant Classification System.
- The passenger shifts their weight off of the seat.
- There is a malfunction in the seat sensor.


If the Occupant Classification System senses any of these conditions, the Passenger Airbag Off indicator appears in the center display.



DEPLOYED AIRBAGS

You won't be able to drive the vehicle after airbags are deployed or if the vehicle has been in a severe rear crash. An internal safety device automatically shuts off the high-voltage system when the airbags deploy. The vehicle will need to be towed to a repair shop and then repaired to drivable condition.

NOTE

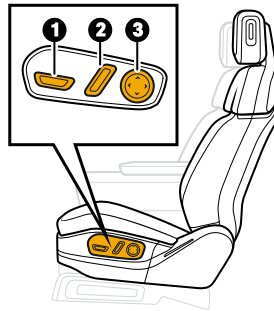
The vehicle is equipped with a roof rail airbag on both the driver and passenger side. In the event of a rollover accident in which a front or roof rail airbag deploys, the Airbag Malfunction indicator  lights up in the driver display. Contact [Rivian Service](#) to have the vehicle serviced.

Seats

ADJUST THE POWER SEATS

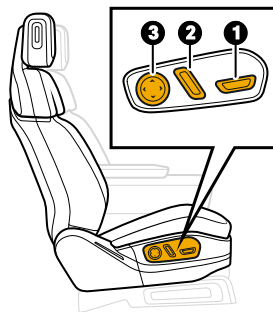
Adjust the power seats using the seat controls. You can adjust the slide, recline, tilt, lift, and lumbar on the driver and front passenger seats. Lumbar support adjustment is available on some vehicle packages.

Driver's Seat



Item	Description
1	Slide and Lift Control
2	Tilt and Recline Control
3	Lumbar Support Adjustment

Passenger's Seat



Item	Description
1	Slide and Lift Control
2	Tilt and Recline Control
3	Lumbar Support Adjustment (If Equipped)

SEAT CLIMATE CONTROLS

The driver's seat, front passenger seat, left rear seat, and right rear seat can heat. Ventilation may also be included. Refer to [Use Seat Climate Control](#).

UNDER-SEAT STORAGE

An under-seat storage drawer is located under the driver and passenger seats. Refer to [Under-Seat Storage](#).



WARNING

Ensure that the seat is properly locked after adjustment. The seat may shift while driving.

Seat Belts




DANGER

Adjust the seat to the proper position before operating the vehicle. Make sure the shoulder belt sits firmly across your chest and shoulder. Don't operate the vehicle if there is a gap between the seat belt and your chest.

To avoid risk of injury or death from sudden stops, collisions, or improper use, do the following:

- Use one seat belt per person.
- Fasten seat belts before the vehicle starts to move to avoid risk of injury from sudden stops or collisions.
- Ensure that all seat belts are fastened securely.
- Ensure that the seat belt isn't worn twisted or reversed.
- Wear the seat belt so that it rests over the shoulder without touching the neck. Don't route the belt behind your back.
- Wear the lap belt as low as possible on your hips.
- Sit well back in the seat and in an upright position.
- Don't tamper with or make modifications to the seat belt that will prevent it from taking up slack, such as using "comfort clips." A slack seat belt could significantly reduce the effectiveness of the shoulder belt in an accident.
- Take care handling the metal portion of the seat belt as it can become very hot in sunny weather.
- Have a service professional routinely inspect all seat belt parts. In case of an accident, we recommend taking the vehicle to a Rivian certified collision center for a safety inspection. In some cases, seat belt parts in use during an accident may need to be replaced, even if there isn't any visible damage.

SEAT BELT REMINDER

- Fasten the seat belts properly when operating the vehicle.
- The Seat Belt Reminder indicator  lights up in the instrument cluster panel of the driver display if the seat belt is unbuckled for a seat with an occupied driver or passenger.
- The system provides a warning, and the Seat Belt Reminder indicator stays on for one minute if the driver or passenger seat belt remains unbuckled.
- At the end of the warning period, the Seat Belt Reminder indicator stays on, and the system sounds a warning chime once the vehicle is traveling at a speed greater than 3 mph (5 km/h) for at least 5 seconds.
- If the seat belt light stays on without an occupant in the seat, ensure that no heavy object is placed on the seat.

CHILDREN

Children should be in the rear seats and properly restrained in a child seat appropriate for their height and weight.

If the child is too big for a child seat, they can be restrained using the seat belt. For proper fit, the shoulder belt should cross over the child's front and not touch the face or neck. The lap belt should be secured as low as possible on the hips and not on the child's waist. See also [Child Seats](#).

EXPECTANT MOTHERS

The lap belt should be worn securely and as low as possible over the hips and not over the waist. The shoulder belt should be worn between the breasts and to the side of the abdomen.



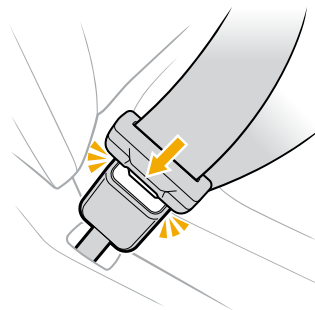
FASTEN SEAT BELTS

1. Adjust the seat to an upright position.
2. Sit with your back and hips against the back of the seat.
3. Hold the tongue plate and pull the belt toward the buckle.

NOTE

Avoid twisting the seat belt, and avoid quick or jerky movements to prevent the belt from locking.

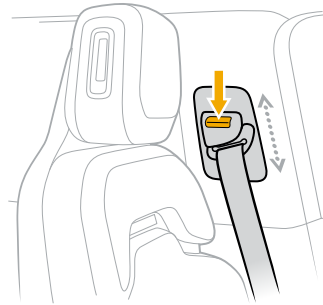
4. Insert the tongue plate into the buckle until you hear a click.



5. Adjust the lap belt to be as low as possible on the hips.



6. Press and hold the shoulder anchor button and slide it up or down to adjust the shoulder belt height.

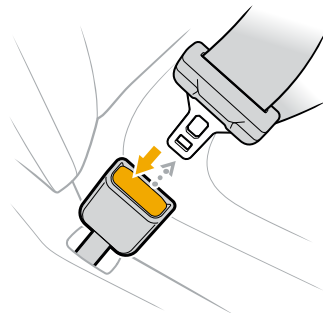


WARNING

The shoulder belt should pass over the middle of the shoulder and across the chest without touching the neck. The seat belts aren't meant to be used with any tension-relieving devices, such as "comfort clips." Wearing the belt in an improper position or introducing slack to the belt could significantly reduce its effectiveness in an accident.

UNFASTEN SEAT BELTS

1. Press the release button on the buckle.
2. Allow the seat belt to retract slowly to avoid any twists.
3. Ensure that the belt has fully retracted to avoid closing the door on the belt or tongue plate.



SEAT BELT PRETENSIONERS

If the seat belt pretensioners have been activated or are malfunctioning so that the seat belts can't retract or pull out, the airbag indicators will appear on the driver display. Contact [Rivian Service](#) for assistance or service.



**PASSENGER
AIRBAG OFF**



CAUTION

Modifications or front-end attachments to the vehicle, such as bars, winches, or snow plows, may affect seat belt pretensioner sensors. Don't modify the vehicle with parts not approved by Rivian.

SEAT BELT MAINTENANCE

Use mild soap with water and a soft cloth to clean surface stains on the seat belt. Inspect the seat belts periodically for signs of damage, including wear and tear. Contact [Rivian Service](#) to schedule service for your seat belts.

Don't use bleach or other harsh substances to clean the belts because this can affect their strength and performance. Don't make modifications to the seat belts that would prevent them from properly operating.

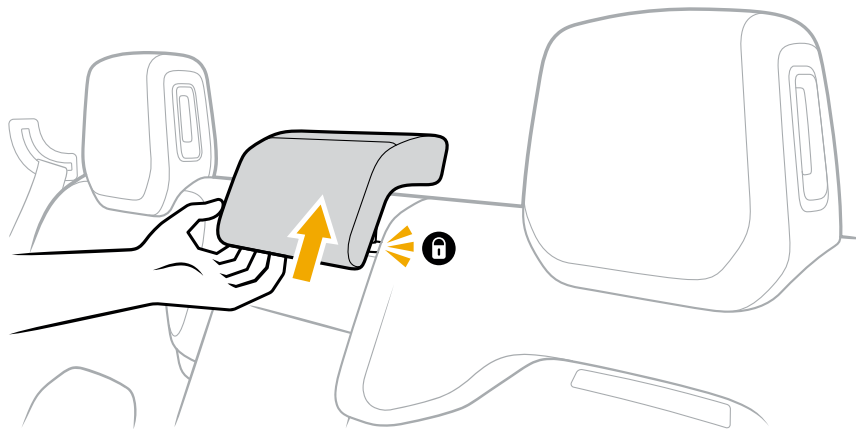
Head Restraints

FRONT SEAT HEAD RESTRAINTS

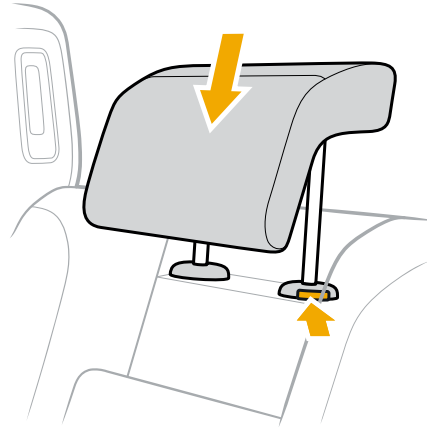
The driver's seat and passenger seat are equipped with integrated head restraints. The integrated head restraints aren't adjustable.

REAR SEAT HEAD RESTRAINTS

The rear outboard head restraints aren't adjustable. The center head restraint is adjustable. To adjust, pull up on the center head restraint until it locks in place.



To lower the head restraint, push the button at the bottom of the left head restraint rod while pushing down on the top of the head restraint.



DANGER

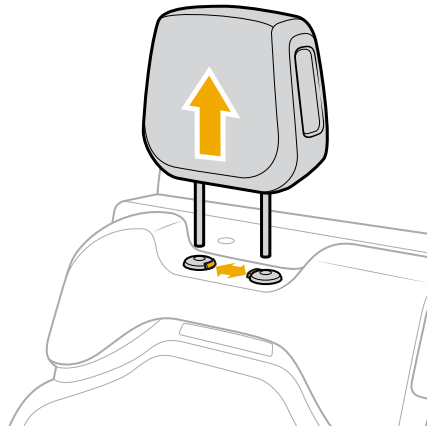
Lift the center head restraint into its locked position before a passenger occupies the rear center seat to help minimize the risk of injuries, including neck injuries, in the event of a crash. The driver should not operate the vehicle until the rear center head restraint is in the locked position.

The head restraints can be removed from the rear outboard seats by pushing the buttons at the bottom of the head restraint rods and lifting the head restraint straight up.

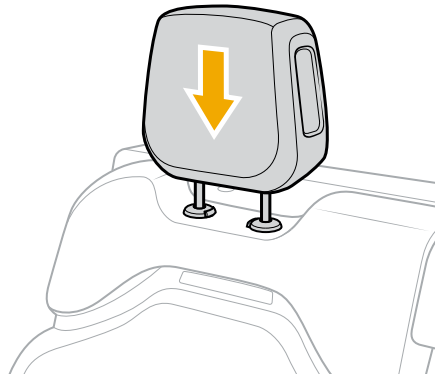


CAUTION

Removal and re-installation of the outboard rear head restraints should only be performed by qualified service personnel.



To reinstall the head restraint, align the rods with the holes at the top of the seat and push the top of the head restraint all the way down until it locks in place.



DANGER

Ensure the outboard head restraints are all the way down into the locked position before a passenger occupies the outboard seats to help minimize the risk of injuries, including neck injuries, in the event of a crash. The driver should not operate the vehicle until the outboard head restraints are in the locked position.

Child Seats



DANGER

- The National Highway Traffic Safety Administration (NHTSA) requires that infants and small children be seated in an approved and appropriate child seat at all times while the vehicle is in motion.
- Properly secure the child seat before the vehicle is in motion, even if the child seat is unoccupied, because an unsecured child seat can injure passengers.
- Don't install a child seat in any of the front seats to avoid serious injury and death to the child from the deployment of the airbags. According to accident statistics, children are safer when properly restrained in the rear seating positions than in the front seating positions.
- Children could be endangered in a crash if their child restraints aren't properly secured in the vehicle.
- The metal portion of the seat belts can become very hot in sunny weather. Ensure that they aren't too hot before seating a child and using the seat belts.



WARNING

- A Rivian Account (user profile) can automatically move the driver's seat to a desired position. Ensure that the front seats maintain a safe and comfortable seating position for the occupants, but that it doesn't impact the child seat or a child sitting directly behind.
- Avoid dressing children in bulky clothing while in a child seat because this may reduce the effectiveness of the restraint system.
- Don't leave a child unattended, even if secured in a child seat.
- Don't use a child seat that has been involved in a collision, even if it doesn't show any sign of damage.

All child restraint systems are designed to be secured in vehicle seats by the following:

- Lap belts
- Lap belt portion of a lap-shoulder belt
- Lower and tether anchorages (LATCH/ISOFIX)

CHOOSE A CHILD SEAT

Children should be in the rear seats and properly restrained in a child or booster seat appropriate for their height and weight. Use a child seat that meets the Federal Motor Vehicle Safety Standards (FMVSS) and is appropriate for the child's age, height, and weight. Also check child seat usage recommendations with local and state laws, the American Academy of Pediatrics (AAP), and the National Highway Traffic Safety Administration (NHTSA). Compliance documentation can either be found on a sticker affixed to the child seat or in the instructions included with the seat. Follow the child-seat manufacturer's instructions when installing a child seat in the vehicle, including determining whether the seat is compatible with the vehicle in which it will be installed.

INSTALL A CHILD SEAT

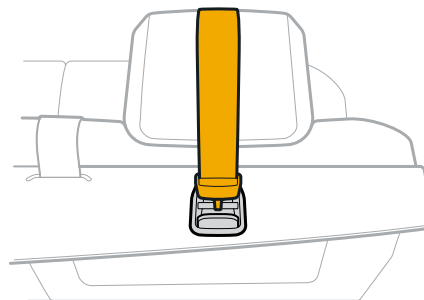
Follow the state and seat manufacturer guidelines for whether to install the child seat rear- or forward-facing. These rules are often based on the child's age, height, and weight.

If a child seat can't be installed securely in the rear-center seating position due to seat size, space limitations, or seat contours, install the child seat on either side position of the outboard seats near the windows. The rear-center seating position may best accommodate a smaller booster seat or an infant bucket seat with a bottom base that fits snugly against the contours of the seat cushions. These types of child seats should be secured snugly with the vehicle's seat belt.

1. Position the child seat either rear-facing or forward-facing on the vehicle's seat.

IMPORTANT

If a forward-facing child seat requires a top tether, latch the hook into the tether anchorage behind the seat and tighten the belt.



2. Run the vehicle's seat belt through the belt path as instructed by the child seat manufacturer instructions.

NOTE

If installing a seat base that accompanies an infant bucket seat, you may need to clip the seat belt in place with the belt lock off as directed by the seat manufacturer.

3. Insert the tongue plate of the seat belt into the buckle until it clicks.
4. Pull on the lap belt to take up the slack and ensure a tight fit.
5. Pull out the shoulder belt fully from the retractor and then allow the belt to retract. The seat belt will lock into place as it retracts.
6. Push the child seat down and toward the back cushion of the vehicle seat, taking out as much slack from the seat belt as possible.

IMPORTANT

Install the child seat snugly so that its base at the belt path cannot move more than 1 in (2.5 cm) from side to side. Ensure that the seat is firmly secured before driving the vehicle.

Install Child Seats with LATCH

LATCH (Lower Anchors and Tethers for Children) or ISOFIX is a child seat installation option allowing child seats to be installed without using the vehicle's seat belts. Instead, the child seats are secured to dedicated anchorage points on the vehicle seats.

Only use the LATCH system to install child seats in accordance with the manufacturer recommendations, including considerations to the child's height and weight. Follow instructions on child seat spacing with LATCH installation. Don't use LATCH in addition to the seat belt installation method. For forward-facing installation,

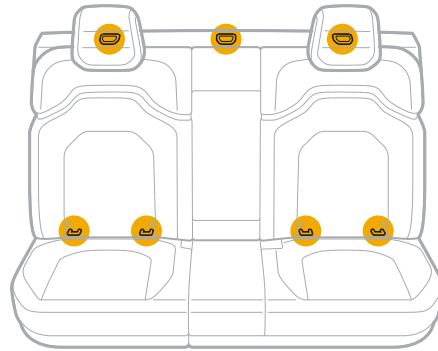
LATCH can provide more stability with the top tether anchorage since it has an additional connection point between the child seat and the vehicle.

IMPORTANT

In the second row of this vehicle, only the 2 outboard seats support LATCH installation, while the middle seat is meant to be used with a seat-belt-restrained seat.

LATCH Seat Configuration

The second-row seats come with three upper (tether) anchorages and four lower (bar) anchorages, two for each outboard seat.



See "[Seats](#)" for how to fold the second row seats.

The lower anchorages are marked with this symbol:



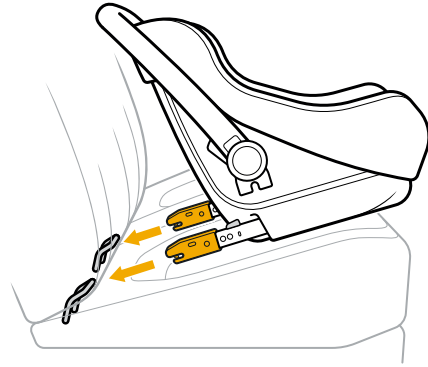
They are located between the seat cushion and seat back.

The upper anchorages are marked with this symbol:

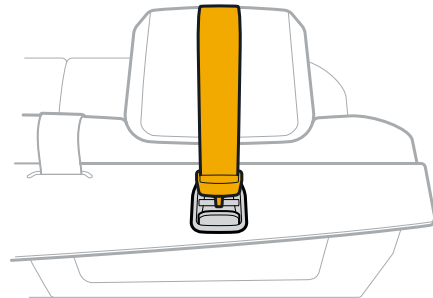


They are located on the rear shelf directly behind the seats.

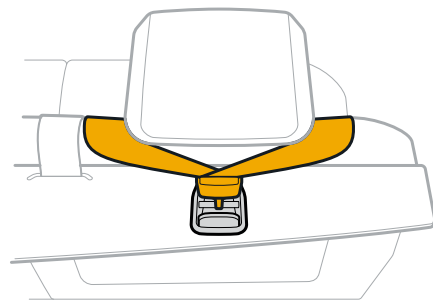
1. Position the child seat between the 2 lower bar LATCH anchorages corresponding to where you are installing the child seat.
2. Connect the lower hooks of the child seat to the lower bar anchorages located in between the seat cushion and seat back. Avoid twisting the LATCH straps or snagging the vehicle seat belt.



3. If your child seats come with tether belts, be sure to pull on the tethers to remove any slack, while pushing the child seat into the bottom and back cushions of the vehicle seat for a tight fit.
 4. Attach the top tether hook to the appropriate top anchorage point and tighten the belt to remove any slack.
- **Single-tether configuration:** Route the top tether belt over the center of the head restraint.



- **Double-tether configuration:** Route the 2 top tether belts to either side of the head restraint, wrapping the belts as close as possible to the head restraint without twisting them.

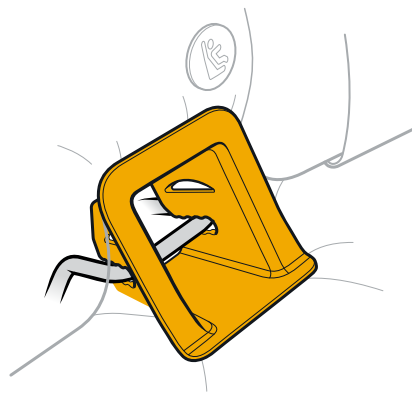


Install the Lower Anchorage Guide

This vehicle comes with sets of lower anchorage guides. These anchorage guides make the lower LATCH anchorage points more visible and hold open the cushions, letting you use less force to clip on the child seat lower anchorages.

1. Find the 2 lower anchorage markers corresponding to where you are installing the child seat. The lower anchorage bars are located in between the seat cushion and seat back.

2. Grip the square frame of the anchorage guide on both sides and push the part onto the lower anchorage bars until the guide sits securely in place. The flanged edges of the anchorage guide should sit flush against the seat back.



NOTES

- Ensure the anchorage guide is installed as shown, not upside-down.
- To remove the anchorage guide, grip the square frame on both sides and pull it straight out.
- Remove the anchorage guide before folding or flipping the seat.

INSTALL A BOOSTER SEAT

1. Position the booster seat in the front-facing position on the vehicle's seat and place the child well back into the booster seat.
2. Run the vehicle's seat belt through or around the booster seat and the child in accordance with the instructions that come with the booster seat. Ensure that the seat belt isn't twisted or reversed.
3. Insert the tongue plate of the seat belt into the buckle until you hear a click.
4. Ensure that the shoulder belt rests over the child's shoulder without touching the child's neck and that the lap belt is as low as possible on the hips.





WARNING

A high-positioned lap belt may increase the risk of injury to the abdomen, or the chance that the child may slide under the belt, in the event of a collision or sudden braking. Don't allow children to wear the shoulder belt under the arm or behind the back.

REMOVE A SECURED CHILD SEAT

1. Press the release button on the buckle.
2. Guide the seat belt out of the belt path of the child seat.
3. Allow the seat belt to fully retract to avoid any twists. Once the seat belt has returned to its fully retracted position, the seat belt returns to normal function, and the locking mechanism is deactivated.

NOTE

For child seats installed with LATCH, reverse the procedures of LATCH installation to remove the seat. See the child seat manufacturer's instructions for additional details.

AUTOMATIC LOCKING RETRACTOR (ALR)

The Automatic Locking Retractor (ALR) causes the seat belt to lock when pulled very quickly. ALR can be used to secure a child seat.

Activate ALR

1. Draw out the seat belt completely.
2. Retract the seat belt to the desired length to activate locking the seat belt in that position. Once locked, the seat belt cannot be extended further.

Cancel ALR

Restore the seat belt to normal function by unbuckling and retracting the seat belt fully. Cancel ALR when removing a child seat.

NOTE

ALRs are different from Emergency Locking Retractors (ELRs), which are designed to allow occupants to move freely once the seat belt is buckled, but lock up in the event of an accident. ALRs are only equipped on passenger seats.

WINDOWS AND MIRRORS

Windows

The 4 window switches on the driver's door operate all of the power windows. The passenger doors have individual window switches. The front windows absorb solar rays with an acoustic laminate. The rear windows are tempered with a privacy tint.

OPEN OR CLOSE THE WINDOWS WITH THE WINDOW SWITCHES

The following actions allow you to open or close the windows:

- **Partial open or close:** Push or pull the window switch to the first notch to move the window to the desired position.
- **Express open:** Push the window switch down past the second notch and release.
- **Express close:** Pull the window switch up past the second notch and release.

NOTES

- Push or pull the window switch to pause the window's automatic motion.
- If any window detects an obstacle, it will partially reverse.
- Lock the passenger windows from **Access and Security** on the center display.

OPEN OR CLOSE THE WINDOWS WITH THE KEY FOB

Press, release, then press and hold the unlock button to open all the windows.

Press, release, then press and hold the lock button to engage all locks and close all of the windows.

Side Mirrors

USER PROFILE SETUP

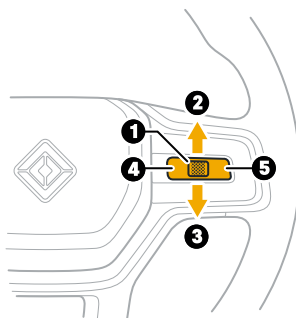
Each user profile can store mirror preferences such as auto-tint, mirror position, automatic folding, and automatic unfolding from the center display. When the car is unlocked from the outside, the side and rear mirrors will adjust according to the user profile.

ADJUST THE SIDE MIRRORS

1. Tap the Rivian Account on the center display and choose Adjust Mirrors.
2. Use the thumb control and thumb control buttons on the steering wheel to tilt the mirror up, down, left, or right.
3. Save the mirror position to the user profile on the center display or restore the previous position.

NOTE

The **Restore** button on the center display will return the side mirrors back to the previous position.



Item	Control	Function
1	Thumb control	Tilt mirror up or down
2	Thumb control up	Tilt mirror up
3	Thumb control down	Tilt mirror down
4	Left thumb control button	Move mirror left
5	Right thumb control button	Move mirror right

SIDE MIRROR FEATURES

Automatically Fold Side Mirrors

The side mirrors automatically fold and unfold based on user preferences when you approach with a key. Enable or disable automatic folding and unfolding from the center display. If automatic folding is enabled, the side mirrors fold when the vehicle locks.

NOTE

Side mirrors automatically unfold if you drive above 15 mph (25 km/h) even if automatic unfolding is disabled.

Manually Fold Side Mirrors

Fold or unfold the side mirrors manually through the center display to override automatic folding. Use this feature when you want to control mirror behavior in situations such as in tight parking spaces or driving off-road.



CAUTION

- You can damage the side mirrors if they unfold in a tight space.
- If the Side Mirror auto-unfolding feature is turned on in Settings, the side mirrors will unfold automatically when you approach the vehicle with a key. If you want to control the mirror unfolding behavior in tight parking spaces, ensure that this feature is turned off. You can fold and unfold mirrors through the Access and Security screen in the center display.

Tint Control

Side mirrors will tint automatically at night based on the ambient lighting sensors in the rearview mirror. This can be enabled and disabled from the center display. Side mirrors tint when the rearview mirror senses more light from the rear of the vehicle.

NOTE

The side mirrors will not tint when the vehicle is in Reverse or Park.

Defrost

You can [defrost the side mirrors](#) using the climate control system.

Entry Lights

The entry lights illuminate the area underneath the side mirrors. You can enable or disable the entry lights settings from the center display. The entry lights setting turns the lights on when any door opens. The lighting sequences setting turns the entry lights on when the car unlocks with proximity. Entry lights activate or deactivate when you open any door or based on your proximity.

If passive entry is enabled, the entry lights will turn on when you approach the car. If it's disabled, the entry lights will turn on when you open any door.

Rearview Mirror

MOVE REARVIEW MIRROR

The rearview mirror can be manually adjusted.

TINT CONTROL

The rearview mirror will tint automatically based on the ambient lighting. The rearview mirror will not tint when the car is in Park or in Reverse.



CAUTION

Don't spray liquid directly on the rearview mirror. The electronics inside shouldn't get wet. To clean the rearview mirror, spray cleaning liquid on a cloth and wipe the mirror down.

LIGHTS

Exterior Lights

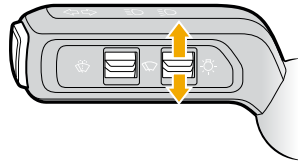
- **Headlights:** Headlights at the front of vehicle cast a wide beam so the driver of the vehicle can see the road, objects, and pedestrians at night.
- **Taillights:** Red lights at the rear of vehicle help ensure other drivers can see the vehicle at night.
- **Turn signals:** Amber front turn signals and red rear turn signals alert other drivers that the driver plans on making a turn or changing lanes.
- **Brake lights:** Red lights at the rear of the vehicle and red light strips above the rear window alert other drivers that the vehicle is slowing or stopping.
- **Fog lights:** Front fog lights are low and angled to the ground to help the driver see the road better in foggy weather. Rear fog lights help ensure other drivers can see the vehicle in foggy conditions.
- **Front and rear side markers:** Lights and reflective markers help ensure other drivers can see the vehicle from the side during the day or night.
- **Reverse lights:** White lights at the rear of the vehicle alert other drivers that the vehicle is in reverse and the driver may back up.

- **Parking lights:** Parking lights at the front and rear of the vehicle help other drivers see the vehicle while the driver is driving or parking it.
- **Entry lights:** Side mirrors project the Rivian logo onto the ground in front of the doors to illuminate the ground as you approach the vehicle.
- **Hazard lights:** Amber front and red rear turn signals flash at the same time to alert other drivers of a hazard or emergency.
- **Truck bed lights:** White lights in each side wall illuminate gear and cargo when the tailgate is open. You can also turn the truck bed lights on or off using the center display.

CONTROL THE HEADLIGHTS AND TAILLIGHTS

Use the light switch on the lights stalk to control the headlights, taillights, and fog lights. In Auto mode, lights turn on automatically when sensors detect that it's dark outside.

- Push the light switch up to select a higher setting and turn on lights. Hold the light switch up to scroll up.
- Push the light switch down to select a lower setting and turn off lights. Hold the light switch down to scroll down.

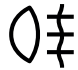
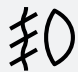


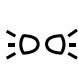



NOTE

The right and left headlights are aimed in an asymmetrical pattern. This improves visibility while driving at night and minimizes the amount of light directed at oncoming drivers.

If you notice reduced visibility, [contact Rivian](#). The headlights are not user-serviceable.

The driver display shows the lights turned on or off as follows:

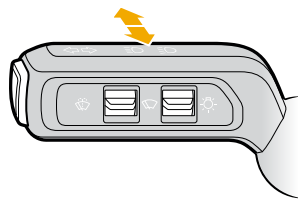
Icon	Name
	Lights + All Fog
	Lights + Front Fog
	Lights
	Auto (default)
	Parking Lights
	Off

CONTROL THE HIGH BEAMS

Control the high beams manually using the lights stalk on the left side of the steering wheel or automatically by turning on the Automatic High Beams setting using the center display. The high beams increase forward visibility in dimly lit areas.



Use the Lights Stalk

- Pull the lights stalk toward you to turn on the high beams for as long as you hold the lights stalk. Release the lights stalk to turn the high beams off.
- When the low beams are already turned on, push the lights stalk away from you to turn on high beams. Push the lights stalk away again to turn off.



IMPORTANT

Ensure high beams are appropriate for the current weather and driving conditions.

Icon	Name
	High Beams
	Automatic High Beams

Use Automatic High Beams

To turn on [Automatic High Beams](#), choose **Settings** from the menu on the center display. Choose **Vehicle**, and then choose **Driver+**. Turn on **Automatic High Beams**. Then push the lights stalk away from you.

To use Automatic High Beams, the vehicle lights must be on and not set to Parking Lights or Off mode.

NOTES

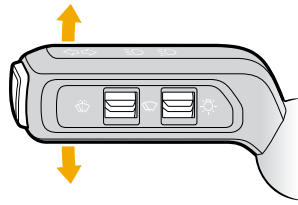
- Automatic High Beams switches from high to low beams when an oncoming vehicle approaches or when you approach another vehicle.
- You can push or pull the lights stalk to temporarily turn off Automatic High Beams.

Lights Status	Action
<ul style="list-style-type: none"> • Automatic High Beams setting on • High beams off 	<p>Push the lights stalk away from you to turn on high beams and temporarily turn off Automatic High Beams.</p> <p>Push the lights stalk away from you to turn on low beams. To turn on Automatic High Beams again, push the lights stalk away from you again.</p>
<ul style="list-style-type: none"> • Automatic High Beams setting on • High beams on 	<p>Push the lights stalk away from you to turn on low beams and temporarily turn off Automatic High Beams.</p> <p>To turn on Automatic High Beams again, push the lights stalk away from you.</p>


USE THE TURN SIGNALS

Push the lights stalk on the left side of the steering wheel to control the turn signals. Lightly push to flash the turn signals three times. Push until it clicks for continuous turn signals. Turn signals will stop when you move the steering wheel or lights stalk in the opposite direction.

- Push the lights stalk up to indicate a right turn or lane change.
- Push the lights stalk down to indicate a left turn or lane change.



TURN ON THE HAZARD LIGHTS

Press the **Hazard Lights** button  on the overhead console to turn on the hazard lights. Press the button again to turn the hazard lights off. See also [SOS](#).

Cabin Lights

To control the cabin lights, choose **Vehicle** from the menu on the center display, or use the rear display.

Choose the **Cabin Lights** button  to turn the cabin lights on or off.

When the cabin lights are turned on, choose **Auto** to automatically turn on the cabin lights when the doors open. Choose **Off** to turn off **Auto**.

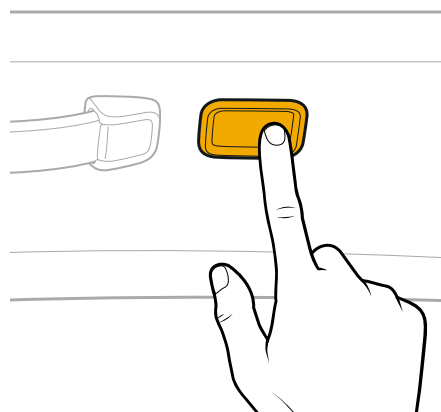
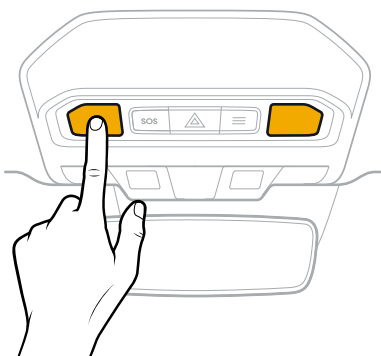
NOTES

- If you use the center display to turn the cabin lights on or off, you must use the center display to turn them on or off.
- You can use the center display to [lock](#) the rear display so rear-cabin passengers can't control the cabin lights.

You can also control the reading lights by touch. Touch once to turn on at full brightness. Touch a second time to dim brightness and a third time to turn off.

Reading lights are located in the following areas:

- Overhead console between the driver and passenger seats
- Sides of the rear seats above the door



Accent lights are located in the following areas:

- Front footwells
- Door pockets
- Dashboard
- Center console
- Door trim

You can turn accent lights on or off and adjust the brightness during low light conditions.

Rivian Torch



DANGER

Keep the torch away from high heat sources and fire.



WARNING

Don't shine the torch at anyone's eyes.

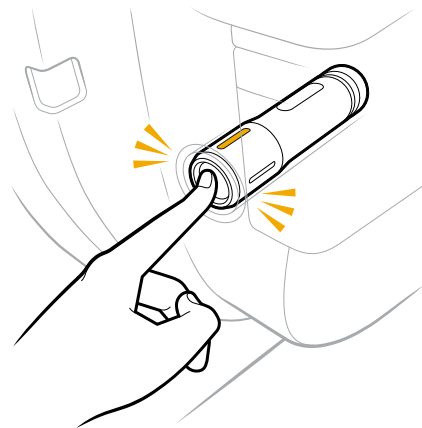


CAUTION

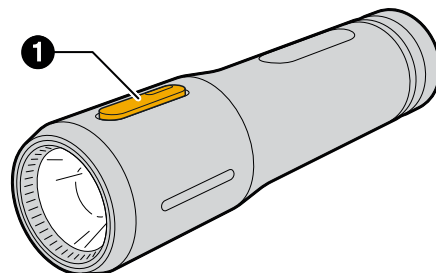
If the torch is in the charging compartment, ensure that the torch is completely seated before closing the driver-side door. If the torch sticks out, it may damage the door, door frame, or torch.

USE THE TORCH

1. To release the torch from its charging compartment in the driver-side door, press it firmly.
2. Wait 2 seconds for the charging compartment to release the torch.
3. Pull out the torch.



4. Press the switch (1) to turn on Low.
5. Press again to select the next brightness setting.



Use the switch to cycle through the settings until the light turns off.

NOTE

The light flashes 3 times to indicate a low battery charge.

TORCH SETTINGS

Setting	Brightness*	Use Time before Recharge*
Low	Up to 60 lumens	Up to 18 hours
Medium	Up to 350 lumens	Up to 7 hours
High	Up to 1000 lumens	Up to 2 hours
Off	—	—

*Varies depending on the ambient temperature and battery health.

CHARGE THE TORCH

IMPORTANT

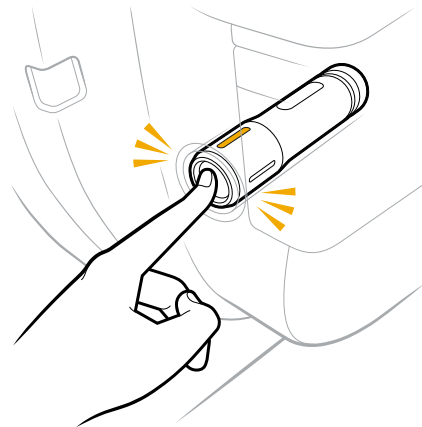
Ensure the torch is clean before charging. Use a microfiber cloth to remove any dirt or debris.

1. Return the torch to its charging compartment in the driver-side door to charge.
2. Press firmly until it clicks into place.

The torch takes up to 2.5 hours to fully charge.

NOTE

To check if the torch is charging, turn it on before returning it to its charging compartment. The torch will automatically turn off if it is charging.



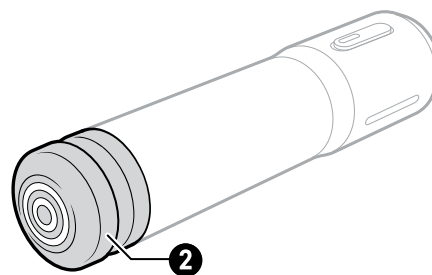
REPLACE THE BATTERY



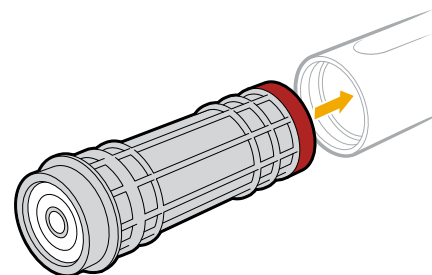
WARNING

- Use only the Rivian-supplied battery with the torch. To obtain a new rechargeable battery, contact [Rivian Customer Service](#).
- Don't short circuit the lithium-ion battery; avoid contact between the bottom of the battery and a metal object.
- Don't dispose of the battery in a fire. To dispose of any used battery, follow the local regulations for the disposal of household hazardous waste.

1. Unscrew the end cap (2).



2. Remove the old battery and insert the new battery.
3. Screw on the end cap.



MAINTAIN THE CHARGING COMPARTMENT



CAUTION

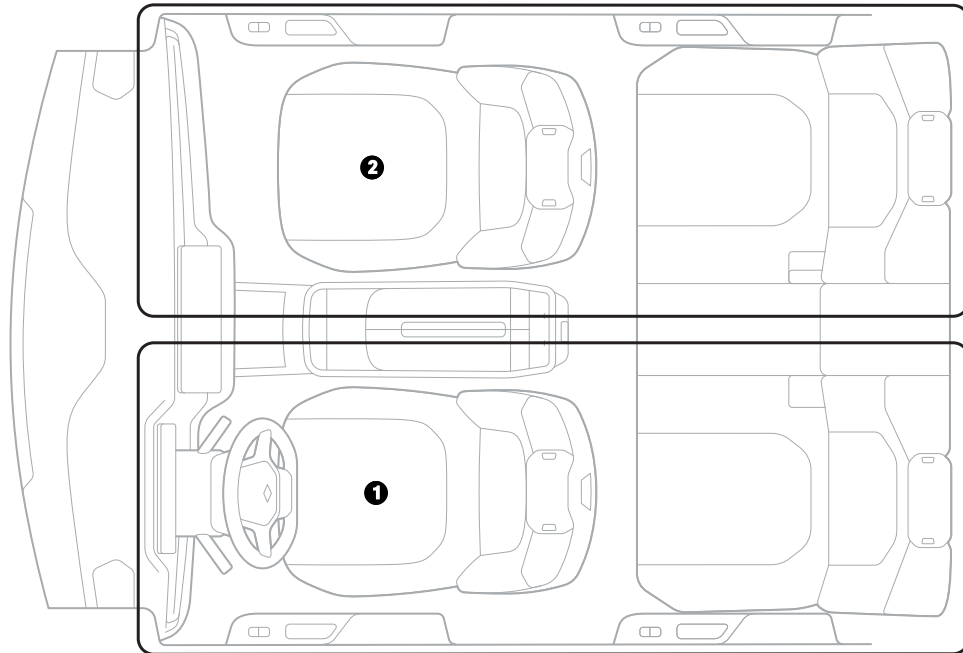
Only use a vacuum cleaner to clean the charging compartment. Don't use compressed air.

1. To release the torch from its charging compartment in the driver-side door, press it firmly.
2. Wait 2 seconds for the charging compartment to release the torch.
3. Pull out the torch.
4. Use a vacuum cleaner to clean the charging compartment.


CLIMATE

Change Climate Control Settings

The vehicle offers 2 climate zones in the cabin of the vehicle, 1 on the driver's side and 1 on the front passenger's side. Control the main climate for each zone directly with the buttons at the bottom of the center display.



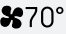







Item	Description
1	Climate zone for driver's side
2	Climate zone for front passenger's side


For more settings, choose the **Temperature** button  or choose **Settings** from the menu on the center display. Control the climate in the rear cabin with the center or rear display.



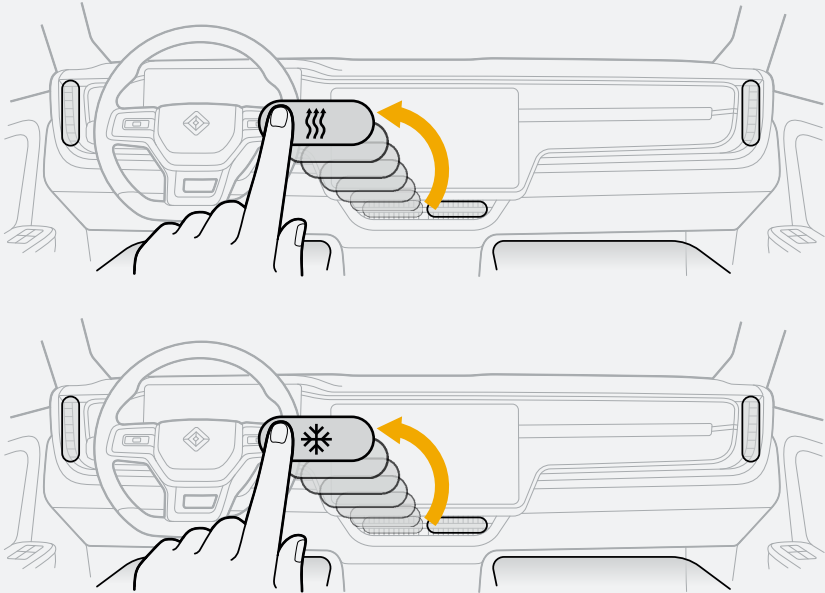




CHANGE CLIMATE SETTINGS ON THE CENTER DISPLAY





The table below describes the primary climate controls that appear at the bottom of the center display.

Icon	Name	Description
	Decrease temperature	Decrease the temperature. Choose and hold the blue Decrease Temperature button  to decrease the temperature to Low.
	Temperature	Display the current temperature and defrost status.
	Increase temperature	Increase the temperature. Choose and hold the red Increase Temperature button  to increase the temperature to High.
	Seat climate	Heat or ventilate the seat. For more information, go to Use the Seat Climate Controls .
	Front defrost	Clear the front windshield. For more information, go to Defrost the Windows .
	Rear defrost	Clear the rear windshield and side mirrors. For more information, go to Defrost the Windows .


Change Additional Climate Settings







The **Temperature** button  offers additional climate controls, described in the table below.

Icon	Name	Description
	All climate power	Turn on power to the climate controls for the front and rear of the cabin. NOTE If you turn off All Climate Power , it doesn't affect the seats or steering wheel.
	Front center and side vents	<ul style="list-style-type: none"> Choose the Vent button to turn on each vent. Choose the Vent button and move it to change the direction of the airflow. 
	Front foot vents	Turn on both the driver- and passenger-side foot vents.
	Heat steering wheel	Heat the steering wheel. For more information, go to Heat the Steering Wheel .
	Heat seat	Heat the seat. For more information, go to Use the Seat Climate Controls .
	Ventilate seat	Ventilate the seat. For more information, go to Use the Seat Climate Controls .

Icon	Name	Description
	Rear display	Control the rear climate settings.
	Heating, cooling, and conditioning	Turn on Heating, Cooling, and Conditioning to have the vehicle heat or cool the air based on the temperature you select. Turn off Heating, Cooling, and Conditioning to have the vehicle only blow air (the air won't be heated or cooled). NOTE In extreme weather, you can save power if you turn off Heating, Cooling, and Conditioning .
AUTO	Auto	Turn on Auto to have the vehicle control the vents; fan speed; heating, cooling, and conditioning; and air recirculation to achieve the temperature you select. Adjust the direction of the airflow from the vents. The vehicle turns off Auto if you change the fan speed, turn on Defrost , or if you turn on or off the vents or Heating, Cooling, and Conditioning .
	Air Recirculation	Turn on Air Recirculation to recirculate the air inside the vehicle. Turn off Air Recirculation to allow air from outside into the vehicle.
	Fan speed	Adjust the fan speed down (-) or up (+).
SYNC	Sync	Turn on Sync to make the temperature setting of the front passenger-side zone the same as the temperature setting of the driver-side zone. Turn off Sync to allow independent temperature control for the driver- and passenger-side zones.



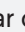
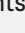



Change Climate Settings for the Rear Cabin

The **Temperature** button  offers climate controls for the rear cabin, described in the table below.

Icon	Name	Description
	Rear climate power	Turn on power to the climate controls for the rear cabin. NOTE The left and right rear seats have separate controls. If you turn off Rear Climate Power , it doesn't affect the seats.
	Lock rear display	Lock the rear display so rear-cabin passengers can't adjust the climate settings or control the cabin lights.
	Front climate	Access the front climate settings.
	Rear center vents	<ul style="list-style-type: none"> Choose the Vent button to turn on both center vents. Manually adjust either vent to change the direction of the airflow.
	Rear foot vents	Turn on both left and right foot vents.
	Heat seat	Heat the seat. For more information, go to Use the Seat Climate Controls .

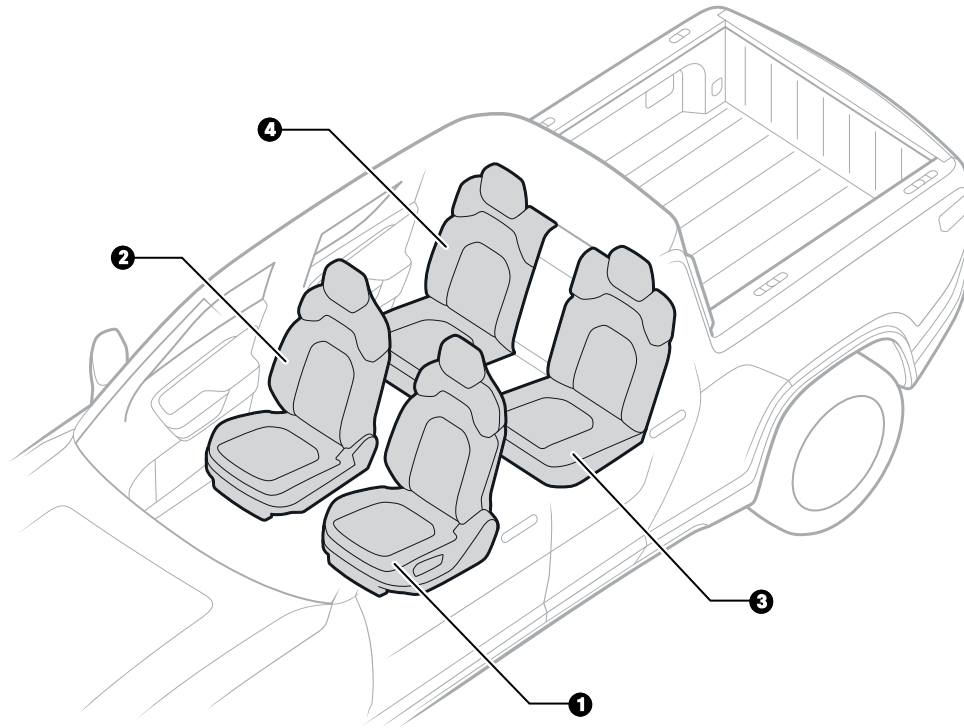
CHANGE CLIMATE SETTINGS ON THE REAR DISPLAY

The rear display offers climate controls for the rear cabin, described in the table below.

Icon	Name	Description
	Temperature	<p>Display the current temperature.</p> <ul style="list-style-type: none"> If Sync is turned on, the vehicle uses the temperature setting of the driver-side zone for the cabin of the vehicle. If Sync is turned off, the vehicle uses the temperature setting of the driver-side zone for the left rear cabin and the temperature setting of the front passenger-side zone for the right rear cabin.
	Rear center vents	<ul style="list-style-type: none"> Choose the Vent button  to turn on both center vents. Choose the Vent button  to turn on the center and side vents. Manually adjust either vent to change the direction of the airflow. <p>NOTE If Auto is turned on, the Vent button isn't available.</p>
	Rear climate power	Display the current status set on the center display.
	Rear foot vents	<p>Turn on both left and right foot vents.</p> <p>NOTE If Auto is turned on, the Vent button isn't available.</p>
	Heat seat	Heat the seat. For more information, go to Use the Seat Climate Controls .

Use the Seat Climate Controls


The vehicle offers driver and front passenger seat heat and ventilation options. It also offers a heat option for the left and right rear seats.



Item	Description
1	Driver seat
2	Front passenger seat
3	Left rear seat
4	Right rear seat



CONTROL THE FRONT SEAT CLIMATE SETTINGS

At the bottom of the center display, choose the **Seat Climate** button  to change the climate settings of the driver or passenger seat.

If heat or ventilation is already active, choose the **Seat Climate** button  to adjust the levels.

To switch between heat or ventilation, go to the **Temperature** button  to access the [front climate settings](#).

You have the following options:

Icon	Name	Description
	Heat seat	Heat the seat. Select from three levels of heat.
	Ventilate seat	Ventilate the seat. A ventilated seat recirculates the in-cabin air. Select from three levels of air ventilation.



NOTE


The seats have separate controls. If you turn off **All Climate Power**, it doesn't affect the seats.

CONTROL THE REAR SEAT CLIMATES


Use the center or rear display to access the settings to heat the left or right rear seat.

Control the Rear Seat Climates with the Center Display

1. Access the climate settings through the **Temperature** button  or choose **Settings** from the menu on the center display.
2. Choose **Rear**.
3. Choose the **Heat Seat** button .

Icon	Name	Description
	Heat seat	Heat the seat. Select from three levels of heat.

Control the Rear Seat Climates with the Rear Display



On the rear display, choose the **Heat Seat** button .


NOTE

The left and right rear seats have separate controls. If you turn off **Rear Climate Power**, it doesn't affect the climate controls of the rear seats.

Heat the Steering Wheel

The steering wheel offers a heat option.

At the bottom of the center display, choose the **Temperature** button  and then the **Heat Steering Wheel** button .



Icon	Name	Description
	Heat steering wheel	Heat the steering wheel for a limited time.

NOTES

- The heat turns off automatically after a period of time.
- The heated steering wheel has a separate control. If you turn off **All Climate Power**, it doesn't affect the heated steering wheel.





Defrost the Windows

The vehicle offers defrost options for the front windshield and rear window areas, as well as a defog option for the front.

To defrost the windows, choose the **Front Defrost** button  or **Rear Defrost** button  at the bottom of the center display.

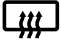
DEFROST THE WINDSHIELD

The vehicle offers the following defrost or defog options:

Icon	Name	Description
	Front defrost	<ul style="list-style-type: none"> Choose the Defrost button  once to turn on defog and clear the front windshield of fogging. A blue icon indicates defog. <p>NOTE You can control the temperature and fan speed. If you change the vents, you will turn off defog.</p> Choose the Defrost button  twice to turn on maximum defrost settings and clear the front windshield using heat. A red icon indicates defrost. <p>NOTE If you change the vents, fan speed, or temperature during defrost, you will turn off defrost.</p> Choose the Defrost button  three times to turn off maximum defrost settings. The climate settings return to the previous settings.

DEFROST THE REAR WINDOW AND SIDE MIRRORS

For rear defrost, you have the following option:

Icon	Name	Description
	Rear defrost	Clear the rear window and side mirrors using heat.

Sun Visors

The sun visors can be adjusted the following ways:

- Flip up or down
- Rotate outward or inward

- Telescope or slide

With the sun visor in the down position, flip open the cover for illuminated vanity mirrors.

Audio and Phone

AUDIO


Use the Rivian Elevation Sound System

The Rivian Elevation sound system offers up to 1,100 Watts of audio power and delivers surround sound from 19 speakers located throughout the cabin of the vehicle.

NOTE

You can use the [Rivian Camp Speaker](#) (if available) to take your music with you.

ADJUST THE AUDIO SETTINGS

To adjust the volume, choose the **Volume** button  at the bottom of the center display, or scroll the left thumb control on the steering wheel.




WARNING


Playing the sound system at high volumes can cause hearing damage.

For other audio settings, choose **Media** from the menu on the center display to access the following controls:

Change the Fade and Balance

Fade indicates how much sound the vehicle sends to the back cabin versus the front. Balance indicates how much sound the vehicle sends to the left or right sides of the cabin. You can adjust the fade and balance separately. Choose the **Reset** button  to reset fade and balance to the default settings (both values to center).

Change the Equalizer Settings

Adjust the volume levels of the frequency bands to fine-tune the sound. Choose the **Reset** button  to reset all equalizer (EQ) controls to the default settings (all values set to 0).

To use an equalizer preset, choose the **More** button  and choose from the available presets.

Change the Soundstage Center

Control where the audio focuses. Choose the **Reset** button  to reset the focus to the default setting.

Change the 3D Surround Sound

Control the depth of immersion experienced in the surround sound field by the driver and passengers.

Change the Dynamic Sound Adjustment


The sound system automatically raises or lowers the volume based on the vehicle's speed to keep the loudness consistent for the driver and passengers. Control how the vehicle adjusts the volume level based on driving conditions.

ALEXA

Overview and Setup

Alexa supports basic vehicle controls and media, even if you don't have an Amazon account. Choose the **Try Alexa** option on the center display during vehicle onboarding and agree to the Terms and Conditions to sample preview mode.

Activate Alexa to use your voice to control nearly anything managed by the center display. For a fully personalized experience and more Alexa capabilities, log into your Amazon account by following these steps on the center display:

1. Go to Settings 
2. Choose **Apps**
3. Choose **Alexa**

NOTE

Your car must be parked and be connected to the internet in order to go through the sign-in process.

Once logged in, you can do the following by using Alexa:

- Access your calendar
- Call contacts by name
- Communicate with any Alexa home device

Call on Alexa by saying the wake word, "Alexa." A bar shows up below the status bar on the center display when Alexa is active, indicating whether Alexa is listening, thinking, or speaking.

NOTES



- You can sign out of your Amazon account at any time through the Settings menu on the center display.
- Visit Amazon's websites to learn more about how Alexa uses your personal information:
 - www.amazon.com/alexaterms
 - www.amazon.com/privacy

OPT OUT



You can choose not to use Alexa by remaining signed out and not enabling preview mode through **Try Alexa**.

Disable Wake Word

Alexa is the only supported voice service in Rivian vehicles. You can disable the wake word, "Alexa" by the following ways on the center display:

- Open the Alexa panel by choosing the Alexa icon  at the top left of the status bar.
- Go to the Settings  > Apps > Alexa menu.

Once the wake word is disabled, you can speak a command by long-pressing the left thumb control on the steering wheel.

If the wake word is enabled, you will see the active Alexa icon  at the top left of the status bar on the center display. If disabled, you will see the mute icon .

Things You Can Ask Alexa


You can ask Alexa to perform a variety of commands, including the following.

Category	Sample Commands
Car Controls	"Alexa, open/close the hood/front trunk." "Alexa, open/close the charge door." "Alexa, open the tailgate." "Alexa, turn on/off the rear light." "Alexa, turn on/off the front reading light." "Alexa, set the screen brightness to low/medium/high." "Alexa, turn on/off the ambient light/lighting." "Alexa, set the ambient light/lighting to low/medium/max."
Climate and Comfort	"Alexa, set the temperature to 70." "Alexa, set the driver/passenger temperature to 70." "Alexa, turn on/off the air conditioning." "Alexa, turn on/off the steering wheel heat." "Alexa, turn on/off the driver's/passenger's seat heat." "Alexa, set the driver's/passenger's seat heat to low/medium/high." "Alexa, turn on/off climate sync." "Alexa, turn on/off the front/rear defrost."

Category	Sample Commands
	<p>"Alexa, turn on/off air recirculation."</p> <p>"Alexa, set the temperature to low/min/medium/max/high."</p> <p>"Alexa, turn on/off the fan."</p> <p>"Alexa, set the fan to min/medium/max."</p> <p>"Alexa, turn on/off the vents."</p> <p>"Alexa, turn on/off the driver/passenger vent."</p> <p>"Alexa, set the front/rear vents to floor/body."</p>
Media and Music	<p>"Alexa, mute/unmute/pause/resume."</p> <p>"Alexa, turn up/down volume."</p> <p>"Alexa, play music."</p> <p>"Alexa, play <artist/playlist/track> on Spotify."</p> <p>"Alexa, play Amazon Music/Spotify/iHeart Radio/Deezer/Kindle/Audible/TuneIn/Pandora/SiriusXM."</p>
Navigation and Charging	<p>"Alexa, navigate to SFO."</p> <p>"Alexa, search nearby coffee shop."</p> <p>"Alexa, search nearby charging stations."</p> <p>"Alexa, what's my ETA?"</p>
Phone and Communication	<p>"Alexa, call Mom."</p> <p>"Alexa, hang up."</p>
Alexa Skills	<p>"Alexa, what's the weather?"</p> <p>"Alexa, set a timer/alarm."</p> <p>"Alexa, who's Tony Stark?"</p> <p>"Alexa, play Song Quiz."</p>
Personal Assistance	<p>"Alexa, add <item> to my reminder."</p> <p>"Alexa, add <item> to my shopping list."</p> <p>"Alexa, add <item> to my to-do list."</p> <p>"Alexa, add <event> to my calendar."</p>

NOTES

- For safety reasons, some commands require your vehicle to be parked.
- Certain commands require you to be logged in to your Alexa account.

Alexa constantly learns new commands. Go to the Alexa icon  at the top left of the status bar in the center display and choose **More things to try** for phrases that you can try with Alexa. Cycle through different category features to learn about Alexa's capabilities and recognized commands.


MOBILE DEVICE SUPPORT

Pair Bluetooth

Your vehicle uses *Bluetooth*[®] to connect to phones.

CONNECT TO A PHONE VIA BLUETOOTH

Pair your phone with your vehicle as follows:

1. Go to the **Bluetooth** button . The vehicle will search for available phones using Bluetooth.
2. When the vehicle displays a list of available phones, select the phone you want and **Add** it.
3. Confirm that the device code on your phone matches the device code on the center display.
4. Choose **Pair** on your phone.

The vehicle saves your phone, so you won't have to pair it again.

BLUETOOTH SETTINGS

Access Bluetooth settings through the following:

- **Bluetooth** button 
- Center display: Media, Phone, or Settings menu

If you have saved phones, choose the **More** button  for these options:

- Turn on or off [access](#) to Phone Calls, Contacts, and Media Audio.
- Disconnect a saved phone.
- Remove a phone you no longer want to save.

Cellular Connectivity

The vehicle can provide the following:

- Maps and navigation
- Entertainment

- Live traffic updates
- In-vehicle *Wi-Fi*[®] hotspot
- Remote connection with the [Rivian app](#)
- SOS or emergency calls

NOTES

- Cellular connectivity is subject to network and carrier service availability.
- Cellular data features require a data subscription. When the free trial period ends, subscriptions will be charged. To learn about the services that are included with the vehicle, check your Rivian Account at rivian.com/account.

WI-FI HOTSPOT

If you want to have internet access in the vehicle, you can activate the Wi-Fi hotspot through your Rivian Account at rivian.com/account.

If you want to deactivate the Wi-Fi hotspot, contact [Rivian Customer Service](#) to make changes.

Use the Wi-Fi Hotspot

1. If the Wi-Fi hotspot is activated, you can turn it on through the **Settings** menu on the center display.
2. The center display shows the password and a list of connected devices, if any.
3. Enter the password on the device you want to connect to the Wi-Fi hotspot.

If your devices lose connection to the Wi-Fi hotspot, check the center display for more information.

NOTE

The vehicle will automatically turn off the Wi-Fi hotspot when you exit the vehicle.

Change the Wi-Fi Hotspot Settings

Access the Wi-Fi hotspot settings through the **Settings** menu on the center display.

1. To change the name of your hotspot, enter the new name.
2. Check the center display for a message to set up the hotspot for your vehicle.

NOTE


Cellular service is supported in certain countries. If the vehicle is roaming outside of its coverage plan area, cellular service may not be available or available only for a certain period of time. Check your Rivian Account for messages.

Connect to Wi-Fi

The vehicle uses a *Wi-Fi*[®] connection to do the following:

- Download Over the Air (OTA) software [updates](#) for the vehicle
- Connect remotely to the [Rivian app](#)

CONNECT TO A WI-FI NETWORK

1. Go to the **Wi-Fi** button  to search for available Wi-Fi networks.
2. When the vehicle displays a list of available Wi-Fi networks, choose the network you want to join.
3. If the network requires a password, enter it using the keyboard that appears on the center display.

NOTE

Your vehicle automatically saves the password so you won't have to enter it again.

4. If the network you want isn't listed, manually enter the following network settings:
 - Network name
 - Password




CAUTION

The vehicle doesn't display a lock icon next to an unsecured network; this indicates the network may be a security risk. Ensure you connect the vehicle to a secured network.

NOTES

- Ensure your router or extender uses Wi-Fi Protected Access 2-Advanced Encryption Standard (WPA2-AES) encryption for wireless security. The vehicle doesn't support Temporal Key Integrity Protocol (TKIP) or Wired Equivalent Privacy (WEP) encryption so it won't show or connect to networks using TKIP or WEP.
- Ensure the Wi-Fi network doesn't use a captive portal, which is used by some cafes or hotels to manage Wi-Fi access. The vehicle may initially connect but it won't support internet access through a captive portal. If you've previously saved a captive portal network, remove it from the list of saved networks to prevent an automatic connection.

WI-FI SETTINGS

Go to the **Wi-Fi** button  or the **Settings** menu on the center display to access the Wi-Fi settings.

If you have saved Wi-Fi networks, you can select a network to automatically join it. You can also remove networks you no longer want to save.

Phone Call

Pair your phone to your vehicle using Bluetooth to use the center display to manage phone calls.




RECEIVE A CALL

When you receive a call, you can answer or decline an incoming call on the center display or use the left thumb control on the steering wheel.


If you're on a call and you have an incoming call, do one of the following:

- End your current call and accept the incoming call.
- Put your current call on hold and accept the incoming call.

If you have two calls at the same time, you can take these actions:

- Switch between calls.
- Choose the **Merge Calls** button  to merge calls.
- Choose the **Mute** button  to mute your microphone.
- Choose the red **Hang Up** button  to hang up.





NOTE

To adjust the volume, use the **Volume** button  at the bottom of the center display or scroll the left thumb control on the steering wheel.

MAKE A CALL

To make a call, select a contact or dial a phone number on the keypad on the center display.

When you are on a call, you have options:

- Choose the **Keypad** button  and dial the number on the keypad to make another call or respond to an automated phone system.
- Choose the **Mute** button  to mute your microphone.
- Choose the **More** button  to add another contact to the call (creating a conference call) or make a new call (creating a parallel call).
- Choose the red **Hang Up** button  to hang up.

NOTES

- If Alexa is active, you can use Alexa to make a call.
- Support for conference or parallel calls may vary depending on your specific phone and cellular network.

SOS OR EMERGENCY CALLS

SOS or emergency calls don't require a phone paired using Bluetooth. For more information, go to [SOS](#).

Rivian Account

The Rivian Account is your digital profile. Following are some of the customizations you can perform:

- Add authorized drivers
- Assign keys to drivers
- Personalize driver seat position, steering wheel, mirror, and media presets

NOTES

- Automatic seat and steering wheel adjustments aren't available when the vehicle isn't in Park.
- Press any steering wheel control button to stop automatic adjustments in progress.

Rivian App

The Rivian app is the primary key to your vehicle and offers the following options:

- Lock or unlock vehicle doors.
- Manage the driver profiles authorized to access your vehicle.
- Add a phone to act as a key.
- Find a charging location.
- Start a charging session.
- Remotely monitor the vehicle.
- Schedule vehicle service.

Download the app from the *App Store*[®] online store or on *Google Play*[®].

USE YOUR PHONE AS A KEY

When you accept delivery of your vehicle, your Rivian Account will be designated as the primary owner of the vehicle. Check the app for additional information to set up your phone as a key.

MANAGE DRIVERS AND KEYS

Use the app to invite family members or friends to be authorized drivers of your vehicle:

- **Primary Owner:** A primary owner has all administrator rights and can't be changed unless someone else becomes the owner of the vehicle.
- **Driver:** A driver has no administrator rights but can access and drive the vehicle. The driver can also set up a phone as a key.

ADD A NEW DRIVER AND PHONE

Use the app to add a new driver.

Any new driver must have a Rivian Account. If a new driver doesn't have an account, we will send an email requesting a Rivian Account.

After you have set up the new driver profile, ask the new driver to follow these instructions:

1. Download the app and follow the instructions.
2. Enter the vehicle and check the center display for additional information to finish setting up the phone as a key.

NOTES

- If you remove a driver, you can remove that driver's phone key from your vehicle.
- To remove a physical key, such as a key fob or key card, from your vehicle for security purposes, contact [Rivian Customer Service](#).

Smartphone Integration

When you pair your phone to your vehicle using [Bluetooth](#), you can choose to grant access to the following:

- Phone Calls
- Contacts
- Media Audio

Install the [Rivian app](#) on your phone to remotely manage a number of vehicle features.

PHONE CALLS

Use the center display to manage [phone calls](#).


CONTACTS

Choose the **Keypad** button  to display a keypad to dial phone numbers.

The top of the **Contacts** list displays recent calls:

- Calls from the call history of the connected phone
- Calls you've made using the keypad from the center display

You can manage your contacts:

1. Search for a contact or select a letter from the alphabet column to display the list of contacts by first letter.
2. Select a contact.
3. Choose the **More** button  to display a list of phone numbers and addresses associated with that contact.

NOTE

If **Contacts** is turned off, turn on **Contacts** in the [Bluetooth](#) settings, or select another phone to access the contacts for that phone.

MEDIA AUDIO

Stream audio, such as music or podcasts, from your phone to the vehicle.

Updates

When a software update is available for your vehicle, it is delivered Over the Air (OTA). The vehicle will download an update over *Wi-Fi*[®] if connected to a Wi-Fi network or a cellular connection. You can read the update details and choose to install the update.

SOFTWARE

The vehicle will notify you of a software update, or you can choose **Settings** from the menu on the center display to access the software settings.

Available Software Update

If there is a software update available, the vehicle displays status information, such as the following:

- Version number of the software update
- Estimated time installation will take
- Percentage of the download completed, if a download is in progress

If a new software version is ready, you can choose to install it.

IMPORTANT

To properly update the software, ensure that the vehicle meets the following conditions:

- The vehicle is parked.
- The battery is sufficiently charged.
- The vehicle isn't connected to a DC fast charger.

If the vehicle doesn't install the software update, check the center display for additional information.

NOTE

Storage access, locking, and security features won't be available while the vehicle installs the software update.

DEVICE CHARGING

Charge Ports (USB-C)

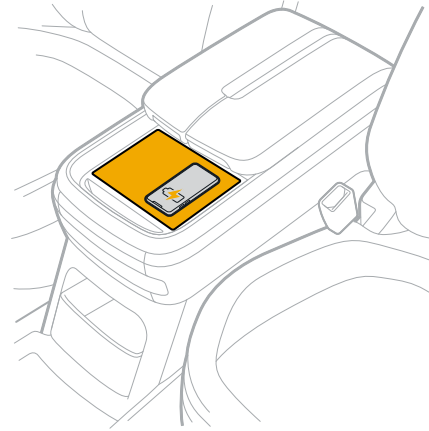
Several USB-C [power outlets](#) are available in the vehicle cabin.

NOTE

- The USB-C outlets at the back of the head restraints and below the rear display screen are for charging only.
- The USB-C outlets within the storage bin of the center console can charge and store data, such as security footage from the [Gear Guard](#).

Wireless Charger

Once the vehicle is powered on, you can charge your phone and other rechargeable, battery-operated devices on the high-speed wireless charger located on the upper tray of the center console. Place the phone face-up on the charger to begin charging, aligning the phone against the far left or right side of the charging pad. You'll see an active charging icon on your device if this is a supported feature. Charging times may vary depending on the device, but it takes around 2-3 hours to fully charge a depleted phone.



The charger is designed to work with phones encased in most standard phone cases.

NOTE

You may hear a fan noise as the wireless charger is cooling while it is actively charging.

While you can charge two phones at the same time, the charging pad is designed to work best simultaneously charging a phone and another small item such as ear buds.

The charging pad has a temperature sensor and will stop charging if a device or environment is too hot.



CAUTION

To avoid damage to the charging pad, don't put metallic or magnetic objects on the pad. The charging pad is only meant to hold a compatible device with a rechargeable battery, such as a phone. Don't leave items such as NFC or credit cards on the pad, which can prevent the device from charging.

TROUBLESHOOTING

If This Happens	Try This
Device is too hot	Remove the device from the charger, wait for it to cool down, and try charging again later.
Wireless charger sensor doesn't detect compatible device	<ul style="list-style-type: none"> • Remove the device from the charger, wait a few seconds, and place the device back on the pad. • Slowly move the device around the charger to find proper positioning for charging.
Device won't charge	<ul style="list-style-type: none"> • Ensure that the device is a 1.2.4 qi-compatible device (iPhones, Android phones, earbuds). • Place the phone face-up against the far left or right side of the charging pad. • Ensure that there isn't an incompatible object on the charging pad (NFC card, foreign objects, metal pieces), including any that may have been left in a storage pocket of a phone case (credit card, coins). • Heed any warnings on the center display that may alert you if an unauthorized item is placed on the charging pad.

Driving

BASIC VEHICLE OPERATIONS

Power On or Off

The vehicle will unlock the doors and be ready when it detects your approach or when you unlock it with a key.

To power off the vehicle:

1. Stop the vehicle completely.
2. Put the vehicle in park.

The vehicle will lock the doors and go to sleep after you walk away.

NOTE

The vehicle remains ready when it is charging. It also remains ready if you are sitting inside or accessing the storage areas.

Brakes

REGENERATIVE BRAKING

Regenerative braking happens automatically when you lift your foot off the accelerator pedal. This captures energy and increases range. It also saves wear and tear on the brake pads.

You can choose the following regenerative braking settings from **Drive Modes** in the center display:

- **High:** Regenerative braking will be stronger. The vehicle will slow down faster and capture more energy.
- **Standard:** Regenerative braking will be moderate.

The brake lights automatically illuminate during regenerative braking to warn other drivers that the vehicle is slowing down.

NOTE

Regenerative braking may be reduced temporarily when the vehicle battery is cold, fully charged, or almost fully charged. Press the brake pedal to slow or stop the vehicle.

ANTI-LOCK BRAKING SYSTEM

The anti-lock braking system prevents the wheels from locking up while braking. This helps you maintain control of the vehicle when stopping suddenly or on slippery or low-grip surfaces.

ELECTRONIC PARK BRAKE

Once the vehicle is fully stopped, [put the vehicle in Park](#) to engage the electronic park brake to keep the vehicle from rolling.

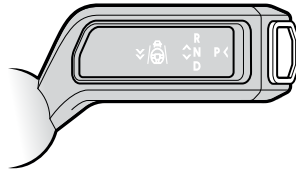
Select a Gear



DANGER

- Press the brake pedal and ensure the vehicle is stationary before shifting into Park, Drive, or Reverse.
- Ensure the vehicle is in Park before you exit the vehicle.
- Failure to follow these warnings could result in personal injury, death, or property damage.

Use the drive stalk on the right side of the steering wheel to select a gear. The driver display shows the current gear.



PARK (P)

Push the button on the end of the drive stalk to put the vehicle into Park. Ensure the vehicle is completely stopped before shifting into Park.

The vehicle can't be shifted out of park under the following conditions:

- A charge cable is connected to the vehicle.
- The brake isn't pressed.
- The driver isn't in the driver's seat.
- The key fob is not in the vehicle.
- An error condition exists. Check for alerts in the driver display.

REVERSE (R)

Push the drive stalk all the way up and then release to put the vehicle in Reverse. Ensure the vehicle is completely stopped before shifting into or out of Reverse.

NEUTRAL (N)

Push up the drive stalk to put the vehicle in Neutral. The vehicle can roll freely in Neutral when the brake is released.



DANGER

If you want the vehicle to remain in place, press and hold the brake pedal so it doesn't roll.

DRIVE (D)

Push the drive stalk all the way down and then release to put the vehicle in Drive. Ensure the vehicle is completely stopped before shifting into Drive.

NOTE

Ensure the vehicle is completely stopped before changing direction from Drive to Reverse or Reverse to Drive.

DRIVING CONTROLS

Status Indicators

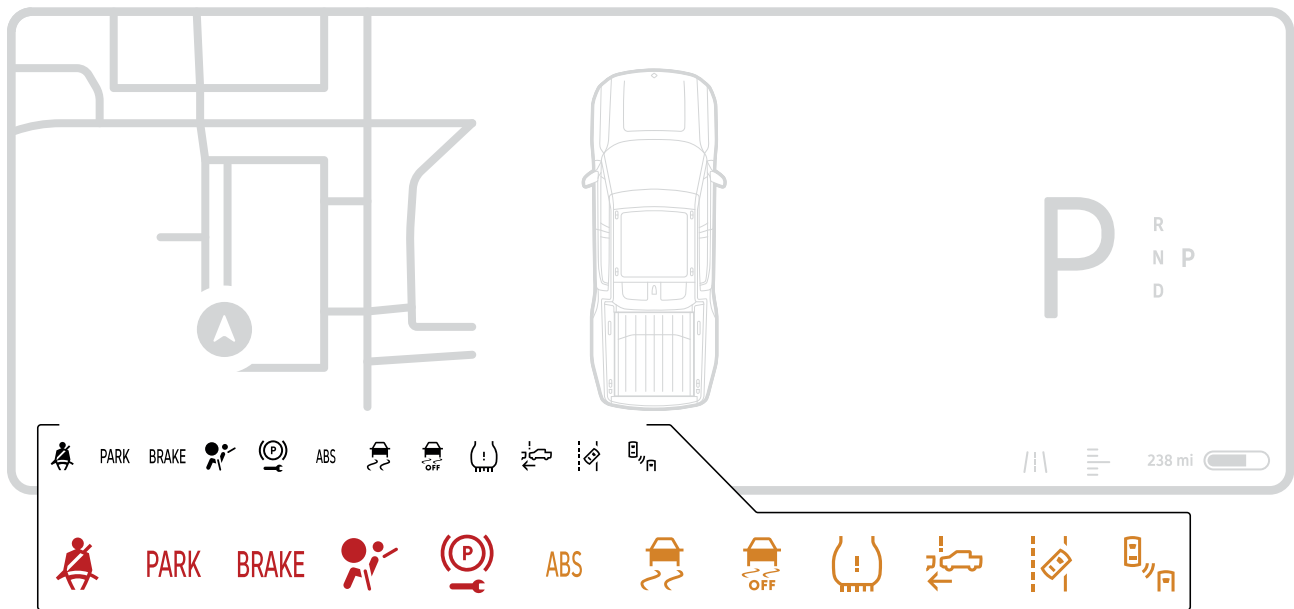
FUNCTION CHECK











Following a vehicle restart, as a function check, all the status indicators will light up for a few seconds when you tap the brake, or when you hold the brake to shift out of Park.












DANGER










If any of the “malfunction” or “system failure” lights stay on or appear after the initial function check, it may be unsafe to operate the vehicle, and the vehicle may not be drivable. Contact [Rivian Service](#) to have the vehicle inspected.



Name	Description	Location	Icon	Active State
Anti-lock Braking System (ABS) Malfunction	ABS isn't working properly.	Driver Display		Solid Yellow
Airbag Malfunction	Airbag system isn't working properly.	Driver Display		Solid Red
Automatic Emergency Braking (AEB)	AEB is turned off or malfunctioning.	Driver Display		Solid Yellow
Automatic High Beams	High beam headlights will turn on and off automatically for oncoming traffic.	Driver Display		Solid Blue when on Solid Gray when off
Blind Spot Warning (BSW)	BSW is malfunctioning.	Driver Display		Solid Yellow
Brake System Malfunction	Brake system isn't working properly.	Driver Display		Solid Red
Door Ajar Indication	One or more vehicle doors aren't fully closed. When this indicator appears, an image shows which doors are open.	Driver Display		Solid Red
Electronic Stability Control (ESC) System On	ESC system is active, improving traction by providing anti-skid support.	Driver Display		Flashing Yellow
Electronic Stability Control (ESC) System Malfunction	ESC system isn't working properly.	Driver Display		Solid Yellow
Electronic Stability Control (ESC) System Off	ESC system has been turned off.	Driver Display		Solid Yellow

Name	Description	Location	Icon	Active State
Front Fog Lamps	Front fog lamps are on.	Driver Display		Solid Green
High Beams	High beam headlights are on.	Driver Display		Solid Blue
Hood Ajar Indication	Hood isn't fully closed.	Driver Display		Solid Red
Lane Departure Warning (LDW)	LDW is malfunctioning.	Driver Display		Solid Yellow
Lighting Malfunction	One or more of these lights is out: <ul style="list-style-type: none"> • Low Beams • High Beams • Turn Indicators • Rear Fogs • Front Fogs • Stop Lamps • Parking Lamps 	Driver Display		Solid Yellow
Limited Performance Mode	Vehicle drive power is limited.	Driver Display		Solid Yellow
Low Battery Warning	The vehicle's calculated range is low: <ul style="list-style-type: none"> • Yellow = 50 mi (80 km) remaining • Red = 5 to 30 mi (10 to 50 km) remaining 	Driver Display	  	Solid Yellow or Solid Red

Name	Description	Location	Icon	Active State
Low Beams On	Low beam headlights are on.	Driver Display		Solid Green
Low Tire Pressure	One or more tires have low tire pressure.	Driver Display		Solid Yellow
Marker Lamps	Vehicle lighting system is on, specifically marker lighting.	Driver Display		Solid Green
Parking Brake On	Parking brake is on.	Driver Display	PARK	Solid Red
Parking Brake System Malfunction	Parking brake system isn't working properly.	Driver Display		Flashing Red
Passenger Airbag Off	Passenger airbag system is disabled.	Center Display	 PASSENGER AIRBAG OFF	Solid Yellow
Passenger Airbag On	Passenger airbag system is on.	Center Display	 PASSENGER AIRBAG ON	Solid Yellow
PRND	Indicates which gear the vehicle is in: P (Park), R (Reverse), D (Drive), N (Neutral). (Active State color varies depending on day or night mode)	Driver Display	R N P D	Solid
Rear Fog Lamps	Rear fog lamps are on.	Driver Display		Solid Yellow
Rear Window Defrost/Defog	Rear window defrost/defog is on.	Center Display		Solid Red when on Solid White when off

Name	Description	Location	Icon	Active State
Seat Belt Reminder	Driver and/or front passenger seat belt isn't fastened.	Driver Display		Solid or Flashing Red
System Failure	One or more system failures.	Driver Display		Solid Red
Tailgate Open	Tailgate isn't fully latched.	Driver Display		Solid Red
Tire Pressure Monitoring System (TPMS) Malfunction	TPMS system is malfunctioning.	Driver Display		Flashing Yellow
Turn Indicators	Turn signal is on in one direction (one flashing indicator), or hazard lights are on (both flashing simultaneously). Fast flashing indicates that a bulb is out.	Driver Display	 	Flashing Green
Vehicle Hold	Vehicle automatically stays still without applying the brake. (Active State color varies depending on day or night mode)	Driver Display		Solid
Windshield Defrost/Defog	Windshield defrost/defog is on.	Center Display		Solid Red when defrost on Solid Blue when defog on Solid White when off
Windshield Washer Fluid Low	Windshield washer fluid is low.	Driver Display		Solid Yellow

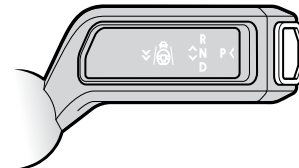
Steering Wheel Controls

HORN

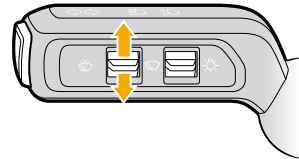
Press the Rivian logo at the center hub of the steering wheel to honk the horn 📣. The horn can function even when the vehicle is powered off.

STALKS

The drive stalk is located to the right of the steering column. It is used to [select a gear](#), set [cruise control](#), and select Driver+ features.



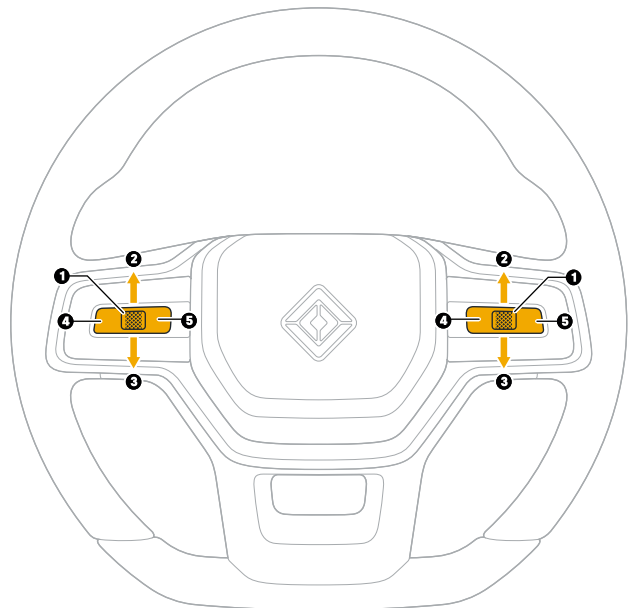
The lights stalk is located to the left of the steering column. It is used to control the [lights](#), high beams, turn signals, and windshield [wipers](#).



THUMB CONTROLS

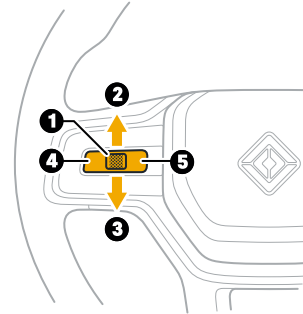
Two multi-functional thumb controls are located on the left and right sides of the steering wheel. Their behaviors are contextual, depending on the screen you are viewing. For example, the thumb controls can be used to scroll among items on the display and be pressed to select items. Press the left and right thumb control buttons to either side of the scroller to execute certain actions.

The left thumb control is for audio, media, phone, and Alexa. The right thumb control is for [Driver+ features](#).



Media Controls

The left controls can be used in the following ways while Bluetooth or Alexa audio sources are playing.



Item	Action	Description
1	Press thumb control	Play/Pause
1	Long-press thumb control	Evoke Alexa
2	Scroll up	Increase volume
3	Scroll down	Decrease volume
4	Press left thumb control button	Previous track
5	Press right thumb control button	Next track

NOTE

Long-press the left or right thumb control buttons on the steering wheel left controls (4 and 5) to toggle between viewing the energy graph or map on the driver display.

FM Radio

The left controls can be used in the following ways while FM radio is playing.

Item	Action	Description
1	Press thumb control	Mute/Unmute
1	Long-press thumb control	Evoke Alexa
2	Scroll up	Increase volume
3	Scroll down	Decrease volume
4	Press left thumb control button	<ul style="list-style-type: none"> • Previous local FM station • Previous favorite station if currently playing from your favorites list
5	Press right thumb control button	<ul style="list-style-type: none"> • Next local FM station • Next favorite station if currently playing from your favorites list

Phone Controls

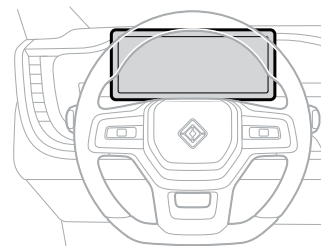
The left controls can be used in the following ways when you receive or are on an active phone call. You can also manage phone calls on the center display. An incoming call panel appears in both the driver and center displays.

Item	Action	Description
Incoming Call		
1	Press thumb control	Performs the highlighted action
1	Long-press thumb control	No action
2	Scroll up	Highlight top option in incoming call panel (accept)
3	Scroll down	Highlight bottom option in incoming call panel (decline)
4	Press left thumb control button	No action
5	Press right thumb control button	No action
Active Call		
1	Press thumb control	Hang up
1	Long-press thumb control	Evoke Alexa
2	Scroll up	Increase call volume
3	Scroll down	Decrease call volume
4	Press left thumb control button	No action
5	Press right thumb control button	No action

Display Screens

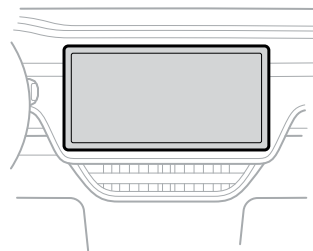
DRIVER DISPLAY

The driver display is located behind the steering wheel. This isn't a touch screen and displays information relevant to the driver, such as the gear the vehicle is in and driving speed.



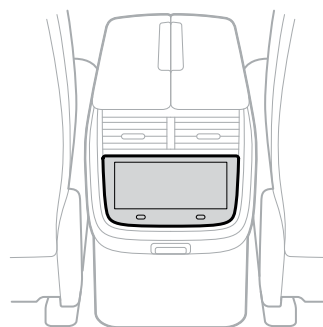
CENTER DISPLAY

The center display is a touch screen located at the center of the instrument panel.



REAR DISPLAY

The rear display is a touch screen located at the back of the center console. It shows the settings for passengers at the rear to control the heating and air conditioning to the rear seats.



WARNING

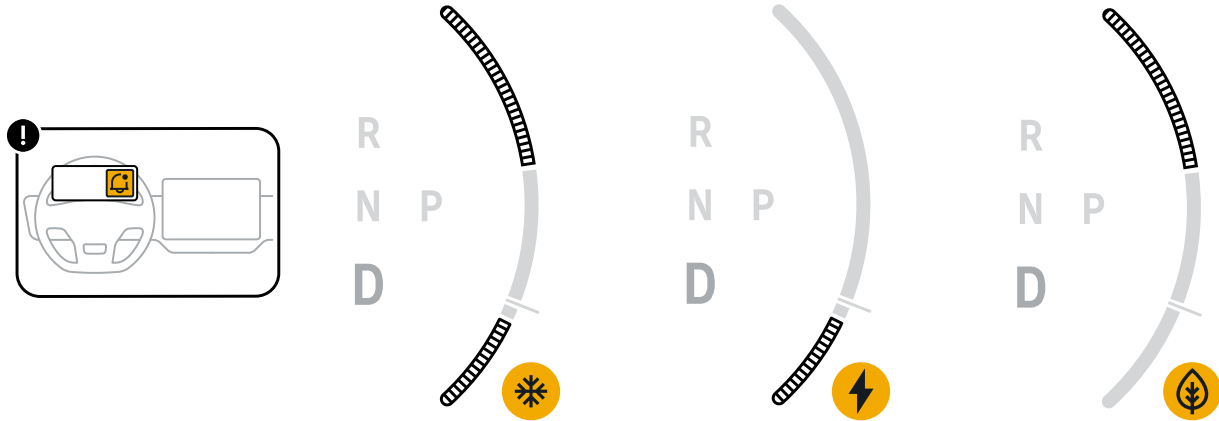
If the vehicle cabin temperature has risen so that the center display is too hot to touch, you'll be alerted with a message. Wait until the screen has cooled before touching the center display.

Power Gauge

Power gauge shows the power currently being used to accelerate the vehicle, and the overall power available. It communicates any restriction in propulsion or regenerative braking. It may also show a propulsion limitation when the battery is low. The power gauge appears on the driver display after you select the Drive gear. Propulsion or regenerative braking can be limited by various systems in the vehicle, environmental conditions, or any faults that impact propulsion or regenerative braking. You will see different icons appear or disappear based on the conditions described below.

Icon	Description
Snowflake ❄️	The snowflake appears with a unique notification because of cold weather impact. Propulsion or regenerative braking may be limited due to low temperature.
Lightning bolt ⚡	The lightning bolt appears with a unique notification when your vehicle's battery is full or nearly full. Regenerative braking may be limited. The capability will return as the level of charge decreases.
Green leaf 🌿	The green leaf appears because of reduced propulsion when you're in Conserve mode.

Below are the different display scenarios based on display priority.





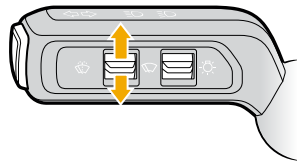
Wipers

Use the lights stalk on the left hand side of the steering wheel to control the wipers and washers. The driver display shows the current wiper mode.

FRONT WINDSHIELD WIPERS

Use the wiper switch on the left stalk to control the wiper speed.

- Push the wiper switch  up to increase the wiper speed from low to high.
- Push the wiper switch  down to decrease the wiper speed from high to low.



Use the wiper switch to cycle through the wiper modes on the driver display.

Icon	Wiper Speed
	Storm
	Downpour
	Shower
	Drizzle
	Sprinkle
	Auto
	Off



CAUTION

- In cold weather, turn off the wipers and allow them to return to the default position before exiting the vehicle. The wipers may freeze to the windshield and may cause damage to the wiper motor.
- Fully defrost the front windshield before switching the wipers on.

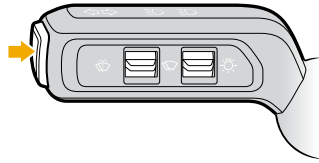
AUTOMATIC FRONT WIPERS

Use the wiper switch to cycle through the wiper modes on the driver display and then select **Auto** to enable automatic front wipers.

In **Auto** mode, the wipers operate automatically when the sensors detect water on the front windshield. The wipers run until the windshield is cleared.

WINDSHIELD WASHERS

Press and hold the washer button to wash the front windshield. Release the button to stop spraying washer fluid.



NOTE

Quickly press and release the washer button to do a single wipe with no washer fluid.

Vehicle Hold

Vehicle Hold brings the vehicle to a stop and holds it stationary without you needing to press the brake pedal. You'll see a Hold icon on the driver display when this feature is on.



If you take your foot off the accelerator pedal but don't brake, the vehicle will automatically slow down and stop. After 10 minutes, the vehicle will automatically shift into Park and engage the electronic park brake, so you'll have to select a gear to start driving again.

The vehicle will automatically shift to Park if you exit the vehicle when Vehicle Hold is active.

Vehicle Hold Not Available



CAUTION

If the Vehicle Hold feature isn't available, or if you're on a steep grade where Vehicle Hold can't engage, you'll see a notification on the center display. In these cases, take control by using the brake pedal to bring the vehicle to a stop and shifting to Park before getting out of the vehicle. See [Emergency Deceleration](#) if normal braking functions aren't working.

Vehicle Hold Error

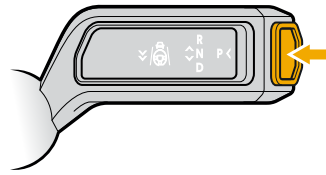


CAUTION

If an error happens while the vehicle is stationary due to Vehicle Hold, the vehicle automatically shifts itself to Park.
If an error happens 3 consecutive times when you attempt to shift out of Park, Vehicle hold is disabled. Contact [Rivian Service](#).

Emergency Deceleration

If the brakes aren't working properly, press and hold the **Park** button to immediately decelerate. An emergency deceleration notification appears on the driver display.



NOTES

- Continue to hold the **Park** button to bring the vehicle to a stop. If the vehicle reaches a standstill, it automatically shifts into Park and applies the parking brake.
- Release the **Park** button to stop deceleration.
- If you press the accelerator pedal while the emergency deceleration is in progress, the emergency deceleration stops.

Electronic Stability Control

The Electronic Stability Control (ESC) System improves traction by providing anti-skid support. It also helps stabilize the vehicle by applying the brakes when the vehicle over- or under-steers.

When the vehicle detects that you are sliding or skidding, ESC will activate automatically. You can switch ESC on and off manually from the Drive Modes screen in the center display.

You can also switch the Traction Control System's (TCS) Stability setting to "On," "Reduced," or "Off" from the Drive Modes screen in the center display. When TCS stability is set to either "Reduced" or "Off," the "ESC Off" telltale appear in the driver display. In a Reduced stability state, both traction and stability control can still activate to help stabilize the vehicle. The "Off" stability state completely disables Electronic Stability Control (ESC) while keeping Traction Control (TCS) in its least restrictive setting.

NOTE

You can only switch ESC on and off in Sport and Off-Road Drive Modes. ESC is on by default following a vehicle restart.

System Status	Indicator	Indicator State
Electronic Stability Control (ESC) System Active		Flashing Yellow
Electronic Stability Control (ESC) System Malfunction		Solid Yellow
Electronic Stability Control (ESC) System Off		Solid Yellow

TURN THE ELECTRONIC STABILITY CONTROL SYSTEM OFF

ESC can be turned off from the center display. If you want to disable ESC, do the following steps.



WARNING

Turning off ESC disables both Electronic Stability Control and Traction Control. You will have to confirm that you want ESC to be off, and a telltale is displayed in the driver's display when it is off.

Under certain road conditions, ESC increases traction and provides anti-skid support. Disabling ESC turns off these important safety features and can lead to a loss of control, resulting in a crash.

1. Navigate to **Drive Modes** on the center display.
2. Toggle Stability to off.

TURN THE ELECTRONIC STABILITY CONTROL SYSTEM ON

1. Navigate to **Drive Modes** on the center display.
2. Toggle Stability to on.

DRIVE MODES

Choose a Drive Mode

Drive modes optimize your vehicle's performance for different road conditions and driving activities. Drive modes customize your vehicle's air suspension, semi-active dampers, and adjustable roll control to manage vehicle ride height and movement.

On-Road Drive Modes	Off-Road Drive Modes
All-Purpose	Off-Road Auto
Sport	Rock Crawl
Conserve	Rally
Towing	Drift

ALL-PURPOSE

All-Purpose mode maximizes comfort for daily driving. All-Purpose is the most versatile mode and is recommended in adverse weather conditions such as rain or snow. This mode keeps the vehicle at Standard ride height for city driving, and changes to Low ride height at highway speeds for better aerodynamics and increased range.

CONSERVE

Conserve mode optimizes the vehicle for maximum range on longer trips. This mode switches to front-wheel drive and lowers the ride height for a more aerodynamic position at higher speeds. Since Conserve mode is front-wheel drive, it's not recommended in rain, snow, or other conditions with reduced traction.

SPORT

Sport mode prioritizes on-road vehicle performance and a responsive driving experience. Sport mode stiffens and lowers the suspension for optimal responsiveness and handling. The vehicle stays in all-wheel drive for maximum power transfer between tires and pavement.

TOWING

Towing mode helps you pull a trailer safely. Towing mode keeps the vehicle in all-wheel drive and provides maximum available torque. Built-in trailer brake gain controls add more stopping power. (See [Tow Hitch](#).)

OFF-ROAD AUTO

Off-Road Auto prioritizes off-road vehicle performance and capability. Off-Road Auto is the standard off-road mode for the distance between pavement and the trailhead. This mode increases the ride height and softens the suspension for a smoother ride.

OFF-ROAD ROCK CRAWL

Off-Road Rock Crawl sets the ride height to High, balancing stability with maximum clearance. It applies the ideal amount of power from the four motors to each wheel as you ascend or descend over large obstacles.

OFF-ROAD RALLY

Off-Road Rally tunes the vehicle for higher off-road speeds on gravel roads. This mode puts the vehicle in Standard ride height and reduces traction control.

OFF-ROAD DRIFT

Off-Road Drift allows more slide while off-road in snow, sand, and loose dirt. This mode delivers increased power to the rear axle while reducing power to the front. Traction control is also reduced.

NOTES

- The 20-inch wheels with all-terrain tires are recommended to maximize off-road capability. Use caution when driving off-road with the 21-inch or 22-inch wheel packages to prevent wheel and tire damage.
- After extreme track or off-road driving, some components such as brakes and suspension may need to be checked for wear or damage. Contact [Rivian Service](#) for an underbody inspection.

STABILITY

- **On:** Electronic Stability Control (ESC) and Traction Control (TCS) provide maximum stability and traction in all driving conditions. On is the default setting for all drive modes except Off-Road Rally and Off-Road Drift.

DRIVING

- **Reduced:** Both Electronic Stability Control (ESC) and Traction Control (TCS) can still activate to help stabilize the vehicle. Reduced allows a small amount of wheel spin in low-grip conditions.
- **Off:** Completely disables Electronic Stability Control (ESC) and keeps Traction Control (TCS) in its least restrictive setting. Off allows the highest level of wheel spin in low-grip conditions.

Drive Mode	Stability Options Available		
All-Purpose	On (default)	–	–
Sport	On (default)	Reduced	Off
Conserve	On (default)	–	–
Towing	On (default)	–	–
Off-Road Auto	On (default)	Reduced	Off
Off-Road Rock Crawl	On (default)	Reduced	–
Off-Road Rally	–	Reduced (default)	Off
Off-Road Drift	–	Reduced	Off (default)

RIDE

- **Stiff:** Firm suspension for a more responsive ride
- **Soft:** Soft suspension for a more comfortable ride

Drive Mode	Ride Options Available	
All-Purpose	Stiff	Soft (default)
Sport	Stiff (default)	Soft
Conserve	Stiff	Soft (default)
Towing	Stiff (default)	Soft
Off-Road Auto	Stiff (default)	Soft
Off-Road Rock Crawl	Stiff	Soft (default)
Off-Road Rally	Stiff	Soft (default)
Off-Road Drift	Stiff (default)	Soft

REGENERATIVE BRAKING

- **High:** Regenerative braking will be stronger. The vehicle will slow down faster and capture more energy.
- **Standard:** Regenerative braking will be moderate. Standard is the default setting.

HOLD

Hold is on by default in all drive modes. You can turn off Hold in Off-Road Rock Crawl mode.

- **On:** Hold assists in stopping the vehicle and holds it stationary without you keeping the brake pedal pressed. Press the brake pedal as needed. (See [Vehicle Hold](#).)
- **Off:** Release the brake pedal to roll freely. Press the brake pedal to slow, stop, or hold the vehicle stationary.

Ride Height

Choose a ride height to change the distance from the lowest point of the vehicle to level ground.

- **Highest:** 3.5 inches (90 mm) higher
- **High:** 1.6 inches (40 mm) higher
- **Standard:** Mid-level
- **Low:** 1.4 inches (35 mm) lower
- **Lowest:** 2.0 inches (50 mm) lower

You can choose your ride height depending on the drive mode.

Drive Mode	Ride Heights Available				
All-Purpose	—	High	Standard (default)	Low	—
Sport	—	—	—	Low (default)	Lowest
Conserve	—	—	Standard (default)	Low	Lowest
Off-Road Auto	Highest	High (default)	—	—	—
Off-Road Rock Crawl	Highest	High (default)	—	—	—
Off-Road Rally	—	High	Standard (default)	—	—
Off-Road Drift	—	High	Standard (default)	—	—
Towing	—	—	Standard (default)	Low	—

TIPS FOR CHOOSING A RIDE HEIGHT

- Be aware of conditions that require increased ground clearance when using **Low** or **Lowest** ride heights. This includes going over speed bumps, steep driveways, or off-road obstacles.
- **All-Purpose** mode will automatically change to **Low** ride height at higher speeds for increased efficiency and energy conservation. It will return to **Standard** ride height at lower speeds. Choose another available ride height to disable automatic ride height changes for your current trip.
- **Conserve** mode will automatically change to **Lowest** ride height at higher speeds for increased efficiency and energy conservation. It will return to **Standard** ride height at lower speeds. Choose another available ride height to disable automatic ride height changes for your current trip.
- **Off-Road** modes with **Highest** ride height are limited to speeds under 20 mph (32 km/h).
- You can only choose **Low** ride height in **Towing** mode while the vehicle is stopped.

NOTES

- The air suspension automatically adjusts to maintain ride height settings while the vehicle is moving or stopped.
- The air suspension may also adjust to ensure the vehicle appears level. This happens after you stop or put the vehicle in Park, even if you have left the vehicle.

DRIVER+

Adaptive Cruise Control and Highway Assist

Adaptive Cruise Control (ACC) maintains a target speed and automatically accelerates and brakes to keep an appropriate distance from vehicles ahead of you in the current lane. On select highways, Highway Assist (HWA) performs all the ACC functions and steers the vehicle to keep it centered in the current lane.

While driving in traffic, Adaptive Cruise Control and Highway Assist bring the vehicle to a complete stop and automatically resumes in response to the vehicle in front.

IMPORTANT

The front camera is located behind the rearview mirror. The front radar is located at the center of the front bumper. Keep these areas clean and free of obstructions. Don't apply film, stickers, metal plates or other equipment that could block the front camera or front radar.

The Adaptive Cruise Control and Highway Assist features may be unavailable or may disengage if the front camera or front radar are blocked.



WARNING

When Adaptive Cruise Control or Highway Assist are engaged, always monitor traffic and driving conditions and be prepared to steer or brake if needed. These features are designed to support the driver and don't replace the driver's attention, judgment, and need to control the vehicle. These features won't prevent collisions in all situations.

OPERATING CONDITIONS

Feature	Condition
Adaptive Cruise Control	<ul style="list-style-type: none"> • You're not in Off-Road Mode. • Lane lines are clearly visible. • You're traveling within the activation speed range: <ul style="list-style-type: none"> • Minimum activation speed is 20 mph (32 km/h) • Maximum activation speed 85 mph (136 km/h) <p>If you are traveling under the minimum activation speed, you can't activate Adaptive Cruise Control unless there is a vehicle in front of you within a certain sensing range.</p>
Highway Assist	<ul style="list-style-type: none"> • You're not in Off-Road or Towing mode. • You're centered in your lane. • You're on a select highway and the Highway Assist Available icon is present on the driver display. • Your hands are on the steering wheel. • You're traveling within the activation speed range: <ul style="list-style-type: none"> • Minimum activation speed is 20 mph (32 km/h) • Maximum activation speed 85 mph (136 km/h) <p>If you are traveling under the minimum activation speed, you can't activate Highway Assist unless there is a vehicle in front of you within a certain sensing range.</p>

NOTES

- The Adaptive Cruise Control unavailable or Highway Assist unavailable notification appears in the driver display if the front or rear sensors are blocked.
- Adaptive Cruise Control and Highway Assist are unavailable while in Towing mode. Refer to [Non-Adaptive Cruise Control in Towing Mode](#).

ADAPTIVE CRUISE CONTROL HOLD

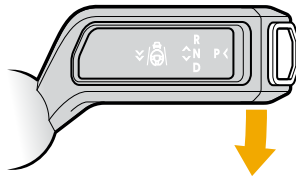
When Adaptive Cruise Control is engaged and the traffic stops in front of you, Adaptive Cruise Control stops the vehicle. If you are stopped for at least 30 seconds, the vehicle pauses Adaptive Cruise Control. To resume Active Cruise Control, lightly press the accelerator pedal.

NOTE

If Adaptive Cruise Control decelerates the vehicle to a complete stop and then remains stopped for 10 continuous minutes, Adaptive Cruise Control disengages and automatically shifts the vehicle to Park.

ENGAGE ADAPTIVE CRUISE CONTROL

To engage Adaptive Cruise Control while driving, push the drive stalk all the way down once and then release. The vehicle chimes and then sets the current speed as the target speed. The target speed appears in a circle at the top of the driver display.



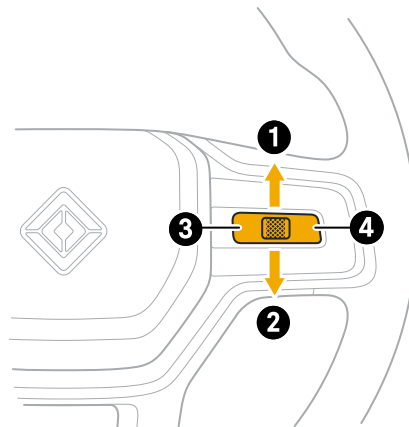
While Adaptive Cruise Control is engaged, press the accelerator to temporarily accelerate above the target speed. Release the accelerator pedal to resume Adaptive Cruise Control. To disengage Adaptive Cruise Control, push the drive stalk up or press the brake pedal.

NOTES

- Regenerative braking slows down the vehicle after you cancel Adaptive Cruise Control.
- Adaptive Cruise Control disengages immediately if you open any door, unbuckle the driver's seatbelt, or if you shift the vehicle out of Drive.

CHANGE THE SPEED AND FOLLOWING DISTANCE

After you engage the Adaptive Cruise Control, you can adjust the target speed and minimum following distance with the controls on the right hand side of the steering wheel.



Item	Control	Function
1	Thumb control up	Increase following distance
2	Thumb control down	Decrease following distance
3	Left thumb control button	Reduce speed <ul style="list-style-type: none"> • Quick press - reduce by 1 mph (1 km/h) increments • Long press - reduce to the nearest 5 mph (10 km/h) increments
4	Right thumb control button	Increase speed <ul style="list-style-type: none"> • Quick press - increase by 1 mph (1 km/h) increments • Long press - increase to the nearest 5 mph (10 km/h) increments

NOTE

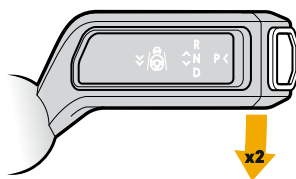
You can also use the drive stalk to set a new Adaptive Cruise Control or Highway Assist speed. Accelerate to a new speed then push the drive stalk all the way down once and release.

ENGAGE HIGHWAY ASSIST

If the Highway Assist Available icon appears while driving, you can engage Highway Assist.



To engage Highway Assist, push the drive stalk all the way down twice within two seconds and then release. The vehicle sets the current speed as the target speed. Highway Assist automatically steers the vehicle to keep it centered in the lane.



To disengage Highway Assist, push the drive stalk up or press the brake pedal.



WARNING

Adaptive Cruise Control and Highway Assist may disengage without warning due to road conditions, environmental conditions, or a system malfunction. Always be ready to take control of the vehicle.

NOTES

- If you turn the steering wheel while Highway Assist is engaged, the system switches to Adaptive Cruise Control at the current set speed.
- Adaptive Cruise Control and Highway Assist reduce the vehicle's speed when cornering.
- Adaptive Cruise Control and Highway Assist don't adjust the target speed according to the posted speed limits. It's your responsibility to adjust the target speed according to the posted speed limit.
- The Highway Assist Available icon doesn't appear if you aren't centered in the lane.
- Highway Assist only functions on certain divided or controlled-access highways.

Driver Take Over Request

In certain road conditions or when system failures occur, Highway Assist provides audible and visual notifications for you, the driver, to take control. If you don't take control of the vehicle within a certain period of time, Highway Assist continues to provide warnings and starts decelerating. While the vehicle is decelerating, you can either push the drive stalk up one time and release, or press the brake pedal to take full control of the vehicle. If you don't take control of the vehicle, Highway Assist brings the vehicle to a complete stop and then automatically turns on the hazard lights.

ENVIRONMENTAL AND DRIVING CONDITIONS

Under certain conditions, Adaptive Cruise Control and Highway Assist may not work as expected. Adaptive Cruise Control may either brake when not required or may not brake for vehicles and objects.

Severe Weather



WARNING

- Severe weather affects the performance of Adaptive Cruise Control or Highway Assist. Use your judgment when driving in heavy rain, snow, or other environmental conditions that reduce visibility around the vehicle.
- Adaptive Cruise Control or Highway Assist may disengage without warning in severe weather, extreme temperatures, or if sunlight shines directly into the front camera.
- Do not use Adaptive Cruise Control and Highway Assist on slippery, unpaved, wet, or snowy roads.

Sharp Curves and Steep Grades



WARNING

Roads with sharp curves or steep grades affect the performance of Adaptive Cruise Control and Highway Assist. Always be prepared to take control of the vehicle if needed.

Adjacent Vehicles and Merging Lanes



WARNING

Highway Assist does not accelerate or decelerate in response to vehicles or objects in adjacent lanes. Always watch for vehicles in adjacent lanes, especially when your driving lane merges into another lane. Be prepared to take control of the vehicle if needed.

Road Construction



WARNING

Highway Assist may not perform as expected through road construction zones. Be prepared to take control of the vehicle if needed.

Driving Conditions



WARNING

Adaptive Cruise Control or Highway Assist may not work as expected under certain driving conditions. Such conditions include, but are not limited to the following:

- When you are closely following a vehicle ahead of you in the driving lane or if a vehicle suddenly cuts into the driving lane.
- When a vehicle or object is partially in the driving lane, for example in a merge lane or turn lane.
- When you change lanes and a stationary or slow-moving vehicle or object is in front of you.

Automatic High Beams

When active, Automatic High Beams switches between high and low beams based on the vehicle traffic, ambient light, and road conditions detected by the front camera. Automatic High Beams activates in low-light road conditions when the vehicle doesn't detect light from the headlights or taillights of other vehicles, or from road or street lighting. This reduces glare for drivers of oncoming or preceding vehicles.

USE AUTOMATIC HIGH BEAMS

To turn on Automatic High Beams, choose **Settings** from the menu on the center display. Choose **Vehicle**, and then choose **Driver+**. Turn on **Automatic High Beams**. Then push the [lights stalk](#) away from you.

To turn off Automatic High Beams, choose **Settings** from the menu on the center display. Choose **Vehicle**, and then choose **Driver+**. Turn off **Automatic High Beams**.

OPERATING CONDITIONS

Feature	Condition
Automatic High Beams	<ul style="list-style-type: none"> • The lights aren't in Parking Lights or Off mode. • Automatic High Beams is turned on. • Activation speed is 25 mph (40 km/h). • Deactivation speed is 18 mph (29 km/h).

NOTES

- Ensure the [windshield](#) and front camera behind the rearview mirror are clean and clear of any obstructions.
- When the vehicle is traveling more slowly than 18 mph (29 km/h), Automatic High Beams won't turn on high beams.
- Automatic High Beams may not turn on high beams or turn on high beams immediately if the vehicle detects pedestrians or bicyclists.

ENVIRONMENTAL AND DRIVING CONDITIONS

IMPORTANT

Automatic High Beams may not work as expected in certain environments and driving situations. The feature may either turn on high beams in error or not turn on high beams as expected under such conditions that include, but are not limited to the following:

- Environmental conditions, such as mud, dirt, snow, ice, or slush, block the front camera.
- Weather conditions, such as heavy rain or snow, lower visibility.
- There are extreme temperatures.
- The windshield isn't clear; fogging, scratches, cracks, or damage obscure the windshield.
- Oncoming or preceding vehicles have damaged or broken headlights or taillights.
- Roads have sharp curves or steep grades.
- Roads have reflective road or street signs.

Rear Cross-Traffic Alert

The Rear Cross-Traffic Alert provides a warning on the center display, driver display, and provides an audible warning of vehicles approaching from the sides behind your vehicle. The feature activates when in Reverse or rolling backward in Neutral.

The system uses rear radar sensors to detect vehicles approaching from either side when backing out of a perpendicular or angled parking space.



WARNING

- Rear Cross-Traffic Alert only provides support to the driver and doesn't replace the driver's attention and judgment when the vehicle is in Reverse or rolling backward in Neutral.
- The detection range for Rear Cross-Traffic Alert may vary, depending on the approaching vehicle's speed.
- The rearview camera image may not appear on the center display when vehicle is rolling backward in Neutral.

OPERATING CONDITIONS

Feature	Condition
Rear Cross-Traffic Alert	<ul style="list-style-type: none"> • You're not in Off-Road or Towing mode. • Your vehicle is traveling in Reverse or rolling backward at a speed between 0–6 mph (0–10 km/h). • The approaching vehicle is within approximately 82 ft (25 m) of the left or right side of your vehicle. • The relative speed between your vehicle and the approaching vehicle is in the range of 2–18 mph (4–30 km/h).

SETTINGS

You can enable or disable the audible chimes for Rear Cross-Traffic Alert from the Driver+ Settings menu on the center display. The audio alert will chime if there is a cross-traffic vehicle behind your vehicle, traveling within the activation speed range.

NOTE

A visual alert is always enabled on the driver display when there's a cross-traffic vehicle behind your vehicle.

REAR CORNER RADAR SENSORS

The rear corner radar sensors are on the corners of the rear bumpers. Ultrasonic sensors located around the vehicle measure distance between the vehicle and surrounding objects.

IMPORTANT

Keep the bumpers clean and free of obstructions. Don't apply items such as film, stickers, metal plates, or other equipment that could block the sensors.

**WARNING**

Rear Cross-Traffic Alert may not work as expected in certain environments and driving situations. The feature may either not warn or provide a false warning under such conditions that include, but are not limited to the following:

- In severe weather such as heavy rain, snow, or other environmental conditions that reduce visibility around the vehicle.
- Radar sensors are covered with snow, mud, rain, dirt, stickers, or metallic objects.
- The rear bumper has been damaged, replaced, or modified.
- The radar sensor is out of position.
- A trailer, bike rack, or cargo basket is attached to the tow hitch.
- When a fast-approaching vehicle passes.
- Occasionally when passing guard rails, tunnels, trees, or parked cars.
- Detecting vehicles in the next lane on narrow roads.
- When the outside temperature is too warm or cold.
- When there are slow moving pedestrians, pets, or objects such as shopping carts.
- On certain uneven surfaces.
- Obstructing objects or closely parked vehicles that may block the field of view.

NOTE

The Rear Cross-Traffic warning unavailable notification appears in the driver display if one or more of the above conditions exist or if there is a system malfunction.

Park Assist

Park Assist is a low-speed feature that assists with reverse and parking maneuvers. Ultrasonic sensors measure distances around the vehicle. The feature provides a warning on the driver display and an audible warning if an object is too close to the vehicle.

The sensors can measure the following ranges around the vehicle:

- Front or rear up to 57 in (1.45 m)
- Sides up to 29 in (0.75 m)

The system displays warnings for objects detected within the sensor range as follows:

- When you shift from Park or Neutral to Drive, Park Assist triggers only when a object is detected in the front of the vehicle at a distance of approximately 30 in (0.76 m).
- When you shift into Reverse, the driver display shows a top down view of the vehicle and warnings are provided for objects detected in the sensor range.
- Park Assist provides audible warnings for objects that are detected in the vehicle path.
- When in Drive, chime warnings are only provided for objects detected in front of the vehicle and the front sides of the vehicle.

- When in Reverse, chime warnings are only provided for objects detected behind the vehicle and the rear sides of the vehicle.
- Park Assist provides warnings for objects detected on the sides only when the vehicle is moving.
- When an object is first detected in the vehicle’s path, the system will chime once. As the object moves closer, the frequency of the chime increases. When the object is detected at the closest distance, the system provides a continuous chime.
- Park Assist will not chime when the vehicle is traveling at a speed less than 0.12 mph (0.2 km/h).
- If you open any of the cabin doors, it disables the visual and chime warnings for the sides of the vehicle.
- If the vehicle remains stationary for approximately 10 seconds, the side warnings will go away.



WARNING

- Park Assist only provides support to the driver while parking and doesn't replace the driver's attention and judgment.
- Park Assist is not a substitute for careful and attentive driving. Do not depend on Park Assist alone to determine whether there is an approaching vehicle or if the area is free of people and objects. Visually check that there are no children, pedestrians, bicycles, animals, or objects present in your blind spots. Depending on Park Assist alone can result in serious injury or damage to the vehicle.
- Park Assist may not detect children, pedestrians, bicycles, animals, or objects that are below the bumper or are out of the range of the sensors.
- The system doesn't detect objects that are too close or too far away from the sensors.

OPERATING CONDITIONS

Feature	Condition
Park Assist	<ul style="list-style-type: none"> • You're traveling at a speed less than 6 mph (10 km/h). • All doors are closed. • You're not in Towing mode. • None of the front or rear sensors are blocked.

NOTES

- Standard ride height provides the best sensor performance.
- If Park Assist is unavailable due to a malfunction, a notification appears on the left side of the driver display one time during a drive cycle.

SETTINGS

You can enable or disable the audible warnings for Park Assist in the Driver+ settings from the center display at any time during the drive cycle.

NOTE

You can't disable the Park Assist visual warnings.

ENVIRONMENTAL AND DRIVING CONDITIONS

Park Assist may not work as expected in certain environments and driving situations. The feature may either not warn or provide a false warning under such conditions that include, but are not limited to the following:

Severe Weather



WARNING

Severe weather affects the accuracy of the front and rear sensors. Use your judgment when parking in heavy rain, snow, or other environmental conditions that reduce sensor performance.

Low Speed



WARNING

The system will not chime when the vehicle is traveling at a speed less than 0.12 mph (0.2 km/h).

Doors are Open



WARNING

- The Park Assist feature doesn't detect objects on the side of the vehicle when any of the cabin doors are open.
- If the tailgate is down, a trailer is attached, or if the rear sensors are blocked, the rear and side warnings are unavailable.

Ultrasonic Sensors



WARNING

- Ensure the sensors are not covered with snow, mud, rain, dirt, stickers, or metallic objects.
- In freezing temperatures, clean the sensors after a car wash.
- If the front sensors are blocked, front and side warnings are unavailable.

Tow Hitch



WARNING

Park Assist doesn't sense non-electrical tow hitch attachments such as a trailer, bike rack, or cargo basket. If there are tow hitch attachments that are not connected to the electrical connector, you will receive continuous warnings.

Environmental Conditions



WARNING

Park Assist may not work as expected in certain environments and driving situations. The feature may either not warn or provide a false warning under such conditions that include, but are not limited to the following:

- When a fast approaching vehicle passes.
- In extreme temperatures.
- Excessive noise or vibration from nearby construction equipment such as jackhammers, heavy-duty air compressors, and so on.

Blind Spot Warning

Blind Spot Warning (BSW) alerts you when vehicles are detected in your blind spot. A warning appears on the driver display and side view mirrors. If the turn indicator is on, the warning graphic on the driver display changes color, the indicator on the side view mirror flashes, and an audible alert plays.

The Blind Spot Warning status indicator appears on the driver display if the feature is malfunctioning.



IMPORTANT
 Keep the bumpers clean and free of obstructions. Don't apply items such as film, stickers, metal plates, or other equipment that could block the sensors.



WARNING

Blind Spot Warning is designed to support the driver and doesn't replace the driver's attention, judgment, and need to control the vehicle. Visually check that no vehicles are present in your blind spots in order to safely change lanes.

OPERATING CONDITIONS

Feature	Condition
Blind Spot Warning	You're not in Off-Road or Towing Mode. Another vehicle is detected within the blind spot sensing range on either side of your vehicle. The speed difference between your vehicle and the vehicle in your blind spot is less than 12 mph (20 km/h). You're traveling within the activation speed range: <ul style="list-style-type: none"> • Minimum activation speed is 18 mph (29 km/h) • Maximum activation speed is 108 mph (174 km/h)

SETTINGS

You can turn the audio alert for Blind Spot Warning on or off from the Driver+ Settings menu on the center display. If turned on, the audio alert will chime if you have a turn signal on and there is a vehicle detected in the blind spot on the side of the turn signal.

NOTE

A visual alert is always enabled on the driver display when there's a car in a blind spot to either side of your vehicle.

ENVIRONMENTAL AND DRIVING CONDITIONS

Blind Spot Warning may not work as expected in certain environments and driving situations. The feature may either not warn or provide a false warning under such conditions that include, but are not limited to the following:

Severe Weather



WARNING

Severe weather conditions such as heavy fog, snow, rain, or extreme temperatures.

Sensors and Radars



WARNING

- Sensors are covered with mud, dirt, snow, rain, stickers, or metallic objects.
- The radar is out of position.

Tow Hitch



WARNING

A trailer, bike rack, or cargo basket is attached to the tow hitch.

Driving Conditions



WARNING

- During lane changes.
- On uneven roads or roads with different lane heights.
- When a fast-approaching vehicle passes.
- When a motorcycle, bicycle, or small car is in the blind spot.
- When you drive past non-moving objects on a narrow road, such as trees or parked cars.

Collision Mitigation

Collision Mitigation includes 3 features that work together:

- **Forward Collision Warning (FCW)** detects a potential frontal collision with other vehicles or pedestrians and warns you with audio and visual alerts and steering wheel vibration so you can take immediate corrective action.
- **Automatic Emergency Braking (AEB)**, when enabled, automatically applies the brakes to help mitigate or prevent a collision if you don't react in time to a warning.
- **Dynamic Brake Support (DBS)** provides additional braking when you're not pressing the brake pedal hard enough to prevent an imminent collision.

The Automatic Emergency Braking status indicator appears on the driver display if the feature is turned off or malfunctioning.



IMPORTANT

Keep the windshield, headlamps, front camera, and front radar in good condition and clear of any obstructions. Automatic Emergency Braking may not detect people or cars ahead if the front camera or front radar sensors are blocked or malfunctioning.



WARNING

Forward Collision Warning, Automatic Emergency Braking, and Dynamic Brake Support are features designed to support the driver and don't replace the driver's attention, judgment, and need to control the vehicle.

Feature Behaviors



WARNING

- Automatic Emergency Braking gives priority to the driver's braking if they're able to react quicker than the feature can engage.
- The brake pedal moves downward when Automatic Emergency Braking engages. Ensure that the brake pedal isn't obstructed in any way for Automatic Emergency Braking to function.
- Forward Collision Warning and Automatic Emergency Braking may unexpectedly alert the driver and/or apply braking as a response to certain traffic conditions such as road debris, traffic signs, overhead passes, guard rails, bridges, tunnels, metal plates on the road, and other non-moving objects. In these scenarios, if it is safe to do so, the driver can override Automatic Emergency Braking by pressing the accelerator pedal firmly.

Automatic Emergency Braking won't brake in any of the following conditions:

- You accelerate hard.
- You turn sharply.
- Your vehicle is not within certain [operating speeds](#).
- The vehicle determines that there isn't a potential for frontal collision.

DRIVING

If Automatic Emergency Braking is currently braking the vehicle, any of the following conditions will disengage the feature:

- You accelerate hard to override the Automatic Emergency Braking.
- You turn sharply.
- You apply the brake pedal hard and then release it.
- The vehicle determines that there is no longer a potential for frontal collision.

OPERATING CONDITIONS

Feature	Condition
Forward Collision Warning and Automatic Emergency Braking	You're not in Off-Road Mode. You're traveling within the activation speed range: <ul style="list-style-type: none">• Minimum activation speed is 5 mph (8 km/h)• Maximum activation speed 112 mph (180 km/h)
Automatic Emergency Braking	<ul style="list-style-type: none">• You're not in Towing Mode.• Forward Collision Warning is turned on.
Dynamic Brake Support	You're traveling within the activation speed range: <ul style="list-style-type: none">• Minimum activation speed is 6 mph (9 km/h)• Maximum activation speed 112 mph (180 km/h)

NOTES

- Dynamic Brake Support is only available if Automatic Emergency Braking is enabled.
- The driver can deactivate Dynamic Brake Support by releasing the brake pedal while the feature is active.

SETTINGS

Manage the Forward Collision Warning and Automatic Emergency Braking features from the Driver+ Settings menu on the center display. You can customize the following options.

- **On or Off:** Both Forward Collision Warning and Automatic Emergency Braking can be turned on or off.

Alert Timing: For Forward Collision Warning, choose how early you'd like to be alerted.

NOTES

- Both features are on by default.
- If you turn a feature off, it will default back to on at vehicle restart.
- Forward Collision Warning must be on in order for Automatic Emergency Braking to be turned on.

ENVIRONMENTAL AND DRIVING CONDITIONS

Forward Collision Warning, Automatic Emergency Braking, and Dynamic Brake Support may not work as expected in certain environments and driving situations. The features may either not warn or provide a false warning under such conditions that include, but are not limited to the following:

Severe Weather



WARNING

Severe weather or low visibility conditions such as nighttime, strong direct sunlight, heavy fog, snow, rain, or extreme temperatures.

Road Conditions



WARNING

- Unpaved roads, high curvature roads, and off-road terrain.
- Steep grades, rapid grade changes, or uneven road surfaces.

Driving Conditions



WARNING

- Abrupt cut-ins.
- Driving too close to the vehicle in front.
- Turning vehicles ahead.
- Narrow vehicles or objects such as motorcycles, bicycles, lamp posts, or trees.

Lane Safety

Lane Safety uses the front-facing camera behind the rearview mirror to provide 2 features that work together:

- **Lane Departure Warning (LDW)** alerts you if the vehicle begins to move too close or crosses the lane markers without a turn signal on. An audio, steering wheel vibration, and alert graphic on the driver display will show the side of the lane that the vehicle is drifting toward.
- **Lane Keeping Assist (LKA)** momentarily steers the vehicle toward the center of the lane if the vehicle drifts too close or crosses lane markers without a turn signal on.

The Lane Departure Warning status indicator appears on the driver display if the feature is malfunctioning.



IMPORTANT

Keep the windshield and area around the front camera in good condition and clear of any obstructions. Lane safety features may not detect an unintentional lane departure if the front camera is blocked or malfunctioning.



WARNING

Lane Keeping Assist and Lane Departure Warning are designed to support the driver and don't replace the driver's attention, judgment, and need to control the vehicle. You're still required to keep your hands on the steering wheel at all times, even with these features turned on.

OPERATING CONDITIONS

Feature	Condition
Lane Keep Assist and Lane Departure Warning	You're not in Off-Road Mode. Lane markings and road edges are clearly visible. You're traveling within the activation speed range: <ul style="list-style-type: none">• Minimum activation speed is 40 mph (64 km/h)• Maximum activation speed is 108 mph (174 km/h)
Lane Keeping Assist	<ul style="list-style-type: none">• You're not in Towing Mode.• Lane Departure Warning is turned on.

SETTINGS

Manage the Lane Keeping Assist and Lane Departure Warning features from the Driver+ Settings menu on the center display. You can customize the following options:

- **Alert Timing:** Choose how early you'd like to be alerted on lane departure.
- **Alert Type:** Choose if you'd like sound, steering wheel vibrations, or both alert types.
- **Lane Keeping Assist:** Toggle Lane Keeping Assist on or off when Lane Departure Warning is enabled.

NOTE

If Lane Keeping Assist is on, you may receive alerts to keep control of the steering wheel. Alerts are a combination of visual notification on the driver display, audio chimes, and steering wheel vibrations. The alert will gradually increase in length and intensity if your hands aren't on the steering wheel.

ENVIRONMENTAL AND DRIVING CONDITIONS

Lane Keeping Assist and Lane Departure Warning may not work as expected in certain environments and driving situations. The features may either not warn or provide a false warning under such conditions that include, but are not limited to the following:

Severe Weather



WARNING

Severe weather conditions such as strong direct sunlight, heavy fog, snow, rain, or extreme temperatures.

Blocked Equipment



WARNING

- The front camera or sensors are blocked with things such as mud, dirt, snow, or ice.
- The windshield has become fogged or damaged.

Road Conditions



WARNING

- Sharp curves, hilly roads, or uneven road surfaces.
- When road markings aren't clear, such as faded lane marks or when there are shadows over the road.

Charging

CHARGE AT HOME

The most convenient way to charge the vehicle is with a Rivian Wall Charger installed at home (available separately). You can also use your Portable Charger, which plugs into a power outlet.

CHARGE ON THE ROAD

Charge the vehicle during trips with any of these options:

- Rivian Adventure Network
- Rivian Waypoints
- Third-party public chargers

Rivian Adventure Network

The Rivian Adventure Network will provide DC fast chargers on popular routes across the USA and Canada. The network will also extend into more remote destinations.

Rivian Waypoints

Rivian Waypoints will provide AC chargers at public locations, such as shops, restaurants, hotels, and parks.

Public Chargers

You can charge the vehicle at any public charger with a J1772 or CCS plug.

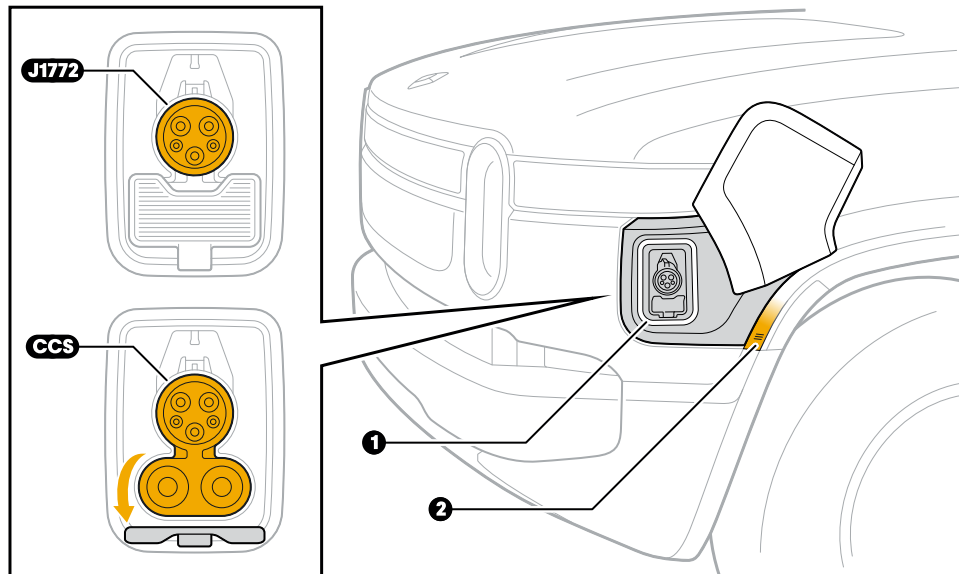
Public chargers may need third-party payment or may have use restrictions. Follow the instructions at the charger.

Trip Planner

Enter a destination in the trip planner to find convenient charging locations along your route.

CHARGE THE VEHICLE

Start a Charge Session



Item	Description
1	Charge port status light
2	Charge port door sensor

Start a charge session as follows:

1. Park at the charger with the vehicle in **Park**.
2. Open the charge port door. Choose **Open Charge Port** from the center display or touch charge port door sensor.
3. Get the charge cable.
 - If using a public charger, follow any third-party instructions to release the charge cable and start charging.
 - If using your Portable Charger, plug it into a power outlet before you insert the plug into the vehicle.
 - If using a DC fast charger, lift the vehicle's DC charge port cover before you insert the plug into the vehicle.
4. Align the charge plug to the vehicle's charge port. Fully insert the plug into the port.
5. The vehicle will start charging automatically.

SET THE CHARGE AMPERAGE

If you need to reduce the level of current that the vehicle draws while charging at home, you can change the amperage setting.

1. Go to **Vehicle**, and then choose **Energy**.
2. Select the appropriate amps value.

NOTE

Once the charge session is complete, the amperage setting will reset to the maximum value if you're not using a charge schedule or are away from home.

Set the Charge Limit

You can set the charge limit to optimize battery health and range depending on your driving needs.

Go to **Vehicle**, and then choose **Energy**. You can choose **Daily**, **Extended**, or **Trip**.

- **Daily** minimizes daily charge time.
- **Extended** lets you travel farther on a single charge.
- **Trip** maximizes range and takes more time to charge.

Check Charge Status

The charge port light color indicates the charging status.

Charge Port Light Color	Status
White (solid)	Ready
White (pulsing)	Starting to charge
Green (pulsing)	Charging
Green (solid)	Charge complete
Blue (solid)	Charge scheduled
Red (solid)	Not working

IMPORTANT

If the light is red, unplug the charger and plug it in again. Refer to the charger instructions for additional details and [contact Rivian](#) if it still doesn't work.

The battery icon in the vehicle center display indicates the charging status:

- You will see a lightning bolt when charging is in progress.
- You will see a green battery icon when charging is complete.

Time to Charge

Time to charge varies depending on:

- Power voltage
- Current
- Air temperature outside the vehicle
- Battery temperature

You can view data such as charge progress, time left to charge, and estimated range while charging on the center display or in the mobile app.

NOTE

You can also estimate total time to charge by dividing the available battery capacity in kilowatt hours (kWh) by the charge rate in kilowatts (kW).

Stop a Charge Session

IMPORTANT

- When you use a DC fast charger, stop charging before you remove the charge plug from the vehicle's charge port.
- When you use the Rivian Wall Charger, Rivian Waypoints, or a public AC charger, the charge plug is locked when the vehicle is locked. The charge plug unlocks when charging is complete. Unlock the vehicle before you remove the charge plug if charging is not complete.
- When you use the Rivian Portable Charger, the charge plug is locked when the vehicle is locked. Unlock the vehicle before you remove the Portable Charger from the vehicle's charge port.

Stop a charge session as follows:

1. Unlock the vehicle.
2. Choose **Stop Charging** from the center display.
3. Press the button on the plug handle and pull on the handle to remove the charge cable.
4. Return the charge cable to its storage location.

NOTE

Store the charge cable neatly to prevent a tripping hazard. Keep the cable loosely coiled and avoid sharp bends.

Set a Charge Schedule

Set a schedule when you charge at home to benefit from off-peak electricity rates or to stagger charging times between multiple vehicles.

CHARGING

1. Park at your home charging location.
2. Choose **Energy** from the center display.
3. Turn on **Charge Schedule**.
4. Select the days you want to charge.
5. Select the times to start and stop charging.

To stop the charge schedule, choose **Off**.

NOTES

- The charge schedule pauses when you are away from home.
- If you change the amperage setting when you set a charge schedule, the vehicle will save the setting for future scheduled charge sessions.

RANGE

Range is an estimated distance in miles (or kilometers) the vehicle can travel before it will need to charge.

The range estimate in the driver display is calculated based on your vehicle configuration and your driving history in each drive mode. Go to **Vehicle**, and then choose **Energy**. Choose **Range based on** to compare range estimates. You can also choose **Reset History** to clear your driving history and restore default data.

The range estimate in the Navigation app is calculated based on your vehicle configuration and your planned route conditions, such as speed limits, elevation, and weather.

Effects on Range

To extend range, do the following:

- Inflate tires to the recommended pressure. (See [Tires](#).)
- Choose Conserve drive mode for longer distances. (See [Drive Modes](#).)
- Use regenerative braking instead of the brake pedal to slow the vehicle. (See [Brakes](#).)
- Keep the windows closed.

Be aware of the following factors that may reduce range:

- Excessive speed
- Aggressive acceleration
- Extreme temperatures
- Steep hill climbs
- High wind conditions
- Towing and cargo (See [Tow Hitch](#).)
- Off-road drives and Off-Road drive modes (See [Drive Modes](#).)

CHARGING

- Driving habits
- Road quality
- Heating and cooling the cabin (See [Climate Control](#).)
- Charging accessories like phones or laptops

LOW BATTERY

When the vehicle battery is low, charge as soon as you can. The vehicle will gradually reduce its power consumption when the vehicle battery is very low.

Battery Status	Recommendation	Effect on Vehicle
Battery low	Find a charger or turn on Conserve mode.	Battery icon turns yellow.
Battery very low	Find a charger or turn on Conserve mode.	Battery conditioning slows.
Battery almost empty	Charge the vehicle.	Battery conditioning stops.
Battery empty	Bring the vehicle to a safe stop if a charger is not in range and contact Rivian .	Propulsion system begins to shut down. Accessory power (climate control, phone charging, etc.) will only be available for a short time before the vehicle shuts down completely.



CAUTION

- If your battery is almost empty, charge the vehicle immediately.
- If you leave the vehicle unplugged for an extended time, it may not charge without jump starting it or replacing the 12 V batteries.
- Leaving the vehicle unplugged for an extended period can also damage the battery permanently.
- If you can't charge the vehicle, [contact Rivian](#).



DANGER

Never attempt to open or tamper with the vehicle battery. [Contact Rivian](#) for battery service.

BATTERY LIFE

To maximize battery life beyond the warranty, do the following:

- Avoid completely draining the battery.
- Use **Daily** for everyday driving. Use **Trip** for longer drives.
- Leave the vehicle plugged in if you don't plan on driving for a long time. When parked, the vehicle uses some power to maintain battery health.
- Use your Rivian Wall Charger or the Rivian Waypoint Chargers whenever possible.
- Try to accelerate moderately. Try to drive at a steady speed.

The vehicle battery may lose some capacity over its lifetime. See your vehicle Warranty for details.

PORTABLE CHARGER

Important Safety Instructions



DANGER

Before you use the Portable Charger, read all the instructions. Follow the safety instructions and warnings in this guide to reduce the risk of fire, electrical shock, serious injury, or death.

PRECAUTIONS

Instructions Pertaining to a Risk of Fire or Electric Shock



DANGER

WARNING – When using electric products, basic precautions should always be followed, including the following. This guide contains important instructions for model PT00045331 that shall be followed during installation, operation, and maintenance of the unit.

- Don't use the Portable Charger outside of the guidelines detailed in this guide.
- The Portable Charger works with Rivian vehicles only. Don't use the Portable Charger for any other purpose or to charge any other vehicle.
- Don't use the Portable Charger if it is defective or damaged in any way or if it doesn't work.
- Don't use the Portable Charger if the controller, the plug, the flexible power cord or EV cable is broken, cracked, or open or shows any other damage.
- Don't tamper with or try to service the Portable Charger by taking it apart. It's not user-serviceable. Contact Rivian for repair.
- Don't twist or place significant strain on the Portable Charger. Don't apply excess force to or impact the Portable Charger controller.
- Don't expose the Portable Charger to flammable or harsh chemicals or vapors.
- Don't use or store the Portable Charger in a recessed area or below floor level. When using the Portable Charger inside, such as in a garage, position the Portable Charger controller at least 18 in (450 mm) above floor level.
- Don't attempt to attach Portable Charger adapters to electrical outlets not listed in this guide.
- Don't plug the Portable Charger adapter into an extension cord, power converter, power strip, or any type of power adapter.
- Don't plug the Portable Charger adapter into a damaged, loose, or worn electrical outlet. Fit the Portable Charger adapter snugly into the electrical outlet socket.
- Only plug the Portable Charger adapter into an electrical outlet that is [properly grounded](#).
- Only unplug the Portable Charger adapter from the electrical outlet after charging is complete.
- Don't plug the Portable Charger into an electrical outlet or unplug it from a power outlet that is underwater or in snow. If the charger is plugged into an electrical outlet, turn off the breaker before unplugging it.
- Don't charge the vehicle if you, the vehicle, or the Portable Charger is exposed to severe weather.
- Don't expose the electrical connectors on the Portable Charger plug, adapter, or controller to moisture or water.
- Don't use the Portable Charger if there is water damage or corrosion.
- Don't allow unsupervised children in the area while the Portable Charger is charging a vehicle.
- Don't place fingers in the vehicle charge port.
- Maximum operating ambient temperature is 122°F (50°C).
- Read all instructions before using this product.

GROUNDING INSTRUCTIONS

This product must be grounded. If it should malfunction or break down, grounding provides a path of least resistance for electric current to reduce the risk of electric shock. This product is equipped with a cord having an equipment grounding conductor and grounding plug. The plug must be plugged into an appropriate electrical outlet that is properly installed and grounded in accordance with all local codes and ordinances.



WARNING

Improper connection of the equipment-grounding conductor is able to result in a risk of electric shock. Check with a qualified electrician or serviceman if you are in doubt as to whether the product is properly grounded. Do not modify the plug provided with the product – if it will not fit the outlet, have a proper outlet installed by a qualified electrician.

SAFETY SYMBOLS ON HARDWARE LABELS

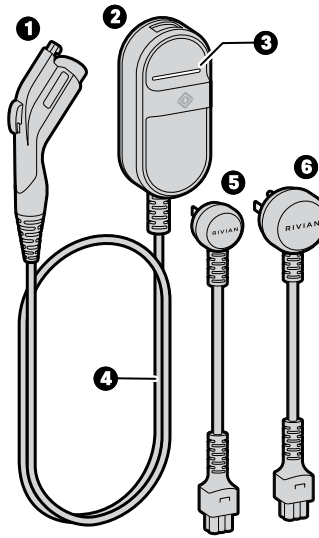
The following symbols may appear on labels on the Portable Charger.

	Risk of Electric Shock
	Danger
	Equipment Ground
	Instruction Manual
	UL Logo

Parts Diagram

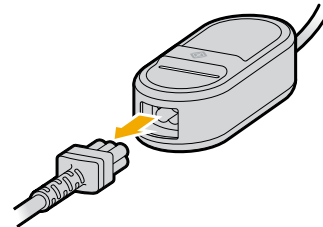
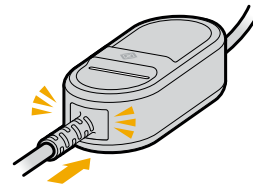
Rivian Portable Charger (PT00045331)

1. Plug
2. Controller
3. Light bar
4. Cable
5. 120 V AC charge adapter
6. 240 V AC charge adapter



Attach or Remove an Adapter

- To attach an adapter to the Portable Charger, push the adapter connector into the cable controller port until the adapter connector clicks into place.
- To remove an adapter, pull the adapter connector out of the cable controller port.



NOTE

To carry or move the Portable Charger, lift the controller carefully. Don't carry it by the cable or adapter.

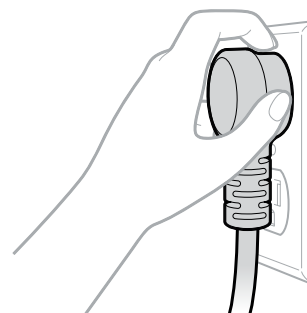
Charging

ATTACH AND CHARGE

1. Plug the Portable Charger adapter all the way into a grounded electrical outlet until it's securely connected and pushed all the way in.

NOTE

If possible, use a dedicated outlet with a single socket. If the outlet has two sockets, don't plug anything else into the other socket.



2. Open the charge port door on the vehicle. The light ring around the vehicle charge port glows white.
3. Plug the Portable Charger into the vehicle's charge port.

TRACK DURATION OF CHARGE

Charge time can change depending on:

- Power voltage and current
- Battery temperature
- Ambient temperature

During a charge session, you can see data such as charge progress, time remaining to charge, and mileage estimates on the driver display or in the mobile app.

Use the information in the table below to help calculate charge rates.

Adapter	Current	Voltage	Power
5-15 120 V	12 A	120 V	1.3 kW
14-50 240 V	32 A	240 V	7.6 kW

LIGHT BAR STATES

Light Bar State	Meaning
White (solid)	Available
Green (pulsing)	Charging
Green (solid)	Charging complete
Red (pulsing)	Error
Red (solid)	Error

If the charger displays an error, [troubleshoot the issue](#).

DETACH THE PORTABLE CHARGER

When the vehicle is done charging, the light ring around the vehicle charge port turns solid green. Press the button on the Portable Charger plug then pull to remove the Portable Charger plug from the vehicle.

User Maintenance Instructions

When you need to clean the Portable Charger, wipe it with a damp cloth. Don't use abrasive substances or materials.

NOTE

Ensure that you don't get water in the Portable Charger connection points. Follow the [safety instructions](#).

Moving and Storage Instructions

To store the Portable Charger in a single, safe location, such as a home garage:

- Plug the cable into a dedicated electrical outlet close to the vehicle parking spot so that the cable easily reaches the vehicle's charge port.
- Secure the cable by [hanging the controller](#) on a hook or screw installed on the wall near the outlet.
- Keep the cable plugged into the electrical outlet when not in use to help prevent wear on the Portable Charger plug and the outlet.

For Portable Charger storage, unplug the cable from the electrical outlet, coil the cable (avoid sharp bends), and place it in the storage bag.

To move or carry the Portable Charger, lift the controller carefully. Don't carry it by the cable or adapter. Try not to drag the cable.

Installation Instructions

Holes in the back of the Portable Charger controller provide a way to hang the controller on a wall.

1. Find a location on the wall near an electrical outlet.
 - For outdoor use, select a location between 24 in (600 mm) and 4 ft (1.2 m) above the ground.
 - For indoor use, select a location between 18 in (450 mm) and 4 ft (1.2 m) above the ground.
2. Install a hook or anchor screw on the wall.

Follow these steps for an anchor screw:

 - Select a screw with a head that will fit into one of the openings on the back of the Portable Charger controller.
 - Install the screw so that the head is far enough away from the wall that it slides easily into the mounting hole when you hang the Portable Charger controller onto it.
3. Hang the Portable Charger controller onto the hook or screw.

Troubleshoot Your Portable Charger



DANGER

Don't tamper with or try to service the Portable Charger by taking it apart. It's not user-serviceable. Contact Rivian for repair.

If this happens	It may be caused by this	Try this
The light bar on the Portable Charger flashes red	Power interruption	<ol style="list-style-type: none"> 1. Unplug the Portable Charger from the electrical outlet. 2. Plug the Portable Charger back into the electrical outlet.
The light bar on the Portable Charger displays solid red	Charger error	Contact Rivian.

Specifications

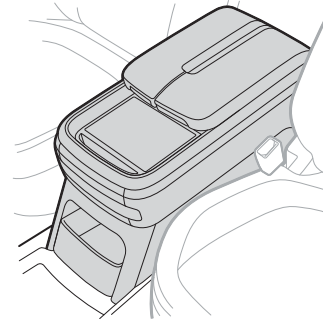
Specification	Description
Operating voltage range	90–264 (120–240 V nominal) AC single-phase
Operating grid frequency	45–65 Hz
Maximum current	32 A; limited by adapter selected
Cable length	18 ft (5.5 m)
Mechanical and environmental load	UL 2231-1, -2, UL 2594 regulatory standard
Operating temperature range	-22°F to +122°F (-30°C to +50°C)
Storage temperature range	-40°F to +185°F (-40°C to +85°C)
Connector housing dimensions	Height: 2.63 in (6.7 cm) / Width: 4.34 in (10.0 cm) / Depth: 8.86 in (22.5 cm)
Weight	7.1 lb (3.2 kg)
Maximum operating altitude	14,108 ft (4,300 m)
Enclosure type	NEMA Type 6
Ventilation	Not required
Compatible vehicle inlet	J1772
Adapters	NEMA 5-15 120 V / NEMA 14-50 240 V
UL file number	E520745
Product number	PT00045331

Storage and Security

INTERIOR STORAGE

Center Console

The center console is located in between the driver and passenger seats. It serves as a storage compartment for small belongings. Charge your devices on the included [wireless charger](#). There are also several [power outlets](#) available in and around the center console.

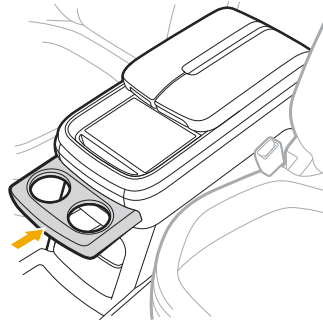


NOTE

Depending on your vehicle's trim, the center console may vary in design.

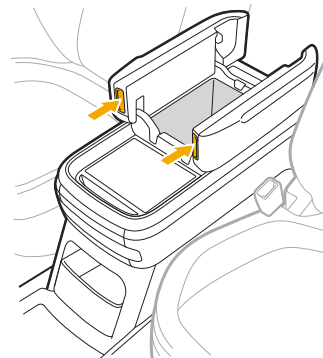
CUP HOLDER

Press the metal trim on the forward edge of the center console to pop out the cup holder for use.



STORAGE BIN

Press either of the buttons at the front and center of the console to access the storage bin. Fold the open doors back into place and push down to close the storage bin.



Rear Seat Armrest

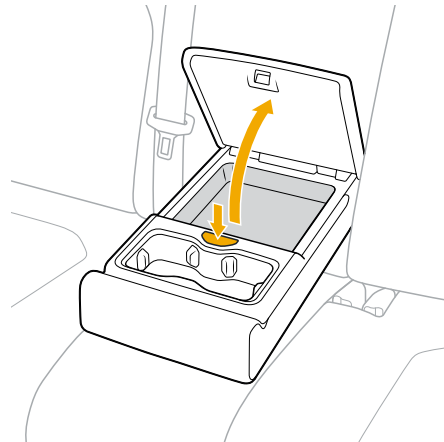
When the middle seat is not occupied in the second row, you can pull down the rear seat armrest. The rear seat armrest has two cup holders. The cupholder liner could be removed for easy cleaning.

Once the armrest is down, you can access the Gear Tunnel from inside the vehicle cabin by sliding up the door behind the armrest.

NOTE

Since contents in the Gear Tunnel may shift during driving, open the Gear Tunnel door only while the vehicle is parked.

Press the button behind the cupholders to access a small storage bin on the rear seat armrest. Push the lid back in place to close the bin.

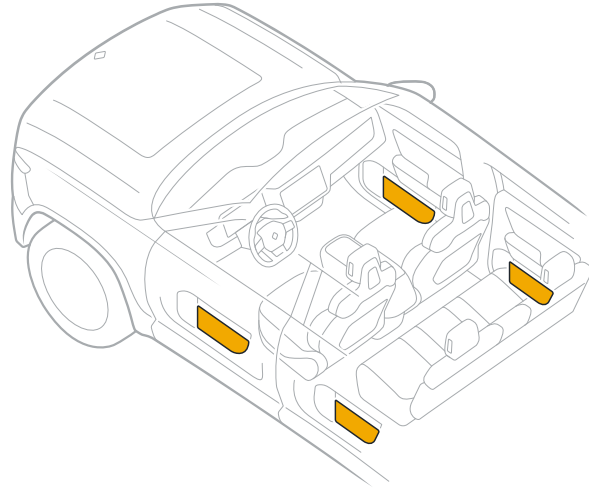


Door Pockets

Front and rear doors contain hinged storage pockets to hold your belongings. Pull the pocket away from the door to expand it and store larger items. The front door pockets can hold a larger one-liter water bottle.

NOTE

Don't store bulky items that prevent the door from closing, or items big enough to contact the sides of the seats. Don't store any liquid that isn't securely sealed to prevent spills when the door is closed.

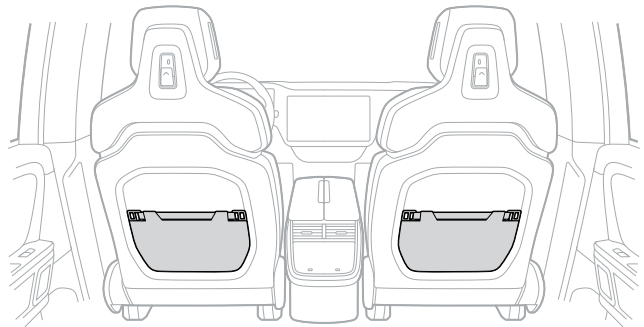


Seat Back Pockets

The front row seats have seat back pockets that expand to hold your belongings.

NOTE

Don't store bulky items that may get in the way of passengers in the back row or hinder the proper installation of child seats.



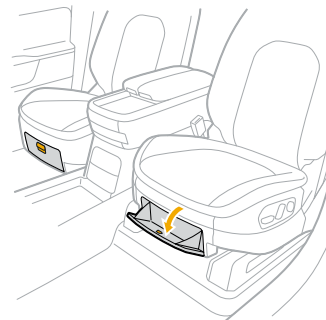
Under-Seat Storage

FRONT ROW

A storage drawer is located under both the driver and front passenger seats, best for holding a standard smartphone. Pull the latch to access the storage drawer, and push the drawer back in to securely close.

NOTE

The maximum weight capacity of the under-seat storage drawer is approximately 0.5 lb (230 g).



BACK ROW

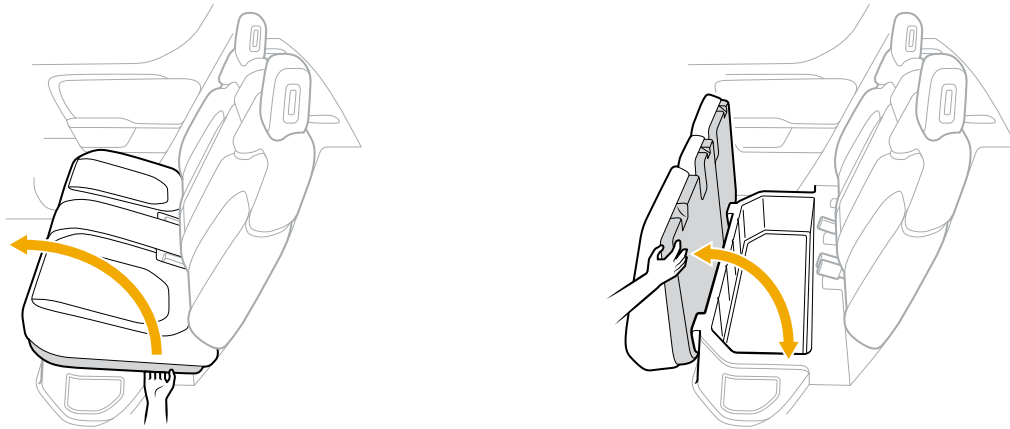
A storage bin is located under the seats in the back row. It can accommodate objects such as reusable grocery bags and flat, lightweight sports equipment.

To access the bin, lift the outboard seat cushions by grabbing the plastic trim near the back cushion and flipping up the seats.

Push the seat firmly back into place to secure it before seating passengers or driving the vehicle.

NOTE

The size of the back row storage bins may vary depending on your vehicle's trim.



CAUTION

Don't store bulky or heavy items that may damage the storage bin if they roll or move around significantly during driving. Ensure that stored items allow the bin to be securely closed.

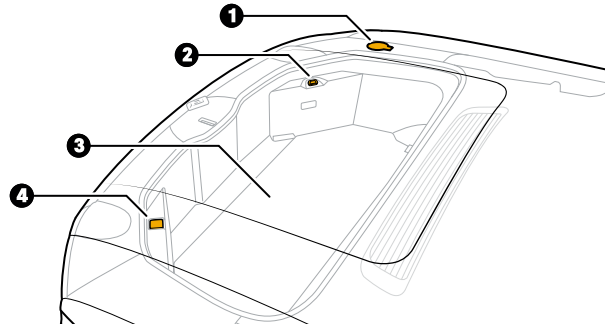
EXTERIOR STORAGE

Protect Your Gear

Following are storage locations where you can secure your gear and protect it from the elements:

Storage Location	Lockable?	Waterproof?
Front trunk	Yes	Yes
Spare tire compartment	Yes	No
Gear Tunnel	Yes	Yes
Back-row under-seat storage	Yes	Yes
Tonneau cover	Yes	No

Front Trunk



Item	Description
1	Windshield washer fluid
2	Entrapment button
3	Charge accessories (under panel)
4	12 V outlet

USE THE FRONT TRUNK

Open or close the hood to access the front trunk using one of the following:

- Key fob
- Button on the front fascia
- Center display
- Entrapment button inside the front trunk

OPEN OR CLOSE THE FRONT TRUNK WITH THE KEY FOB

Press the front trunk button on the key fob twice to open or close the hood.

NOTE

To pause the hood while it is opening or closing, press the front trunk button once. To reverse the door, press the front trunk button twice again.

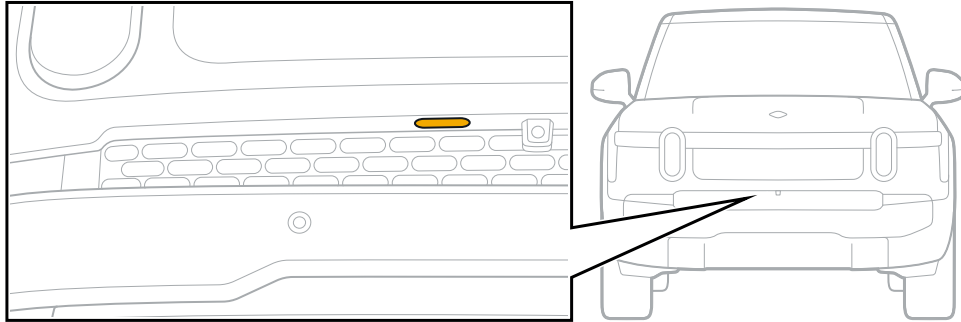
OPEN OR CLOSE THE HOOD WITH THE FRONT TRUNK BUTTON

Follow these steps to use the front trunk button to open the hood:

1. Unlock the vehicle.
2. Press the button on the front fascia once.

IMPORTANT

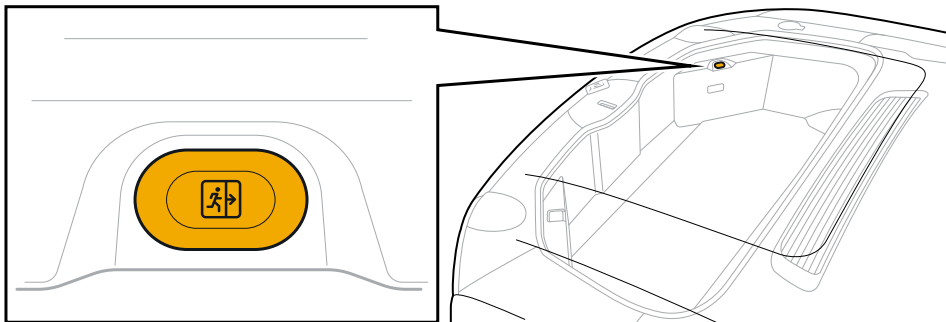
When you drive the vehicle, ensure that the hood is completely closed and flush with the vehicle. If you drive the vehicle with the hood open, the vehicle will significantly limit the maximum speed for safety reasons.



USE THE FRONT TRUNK ENTRAPMENT BUTTON

IMPORTANT

Don't go into the front trunk; it isn't intended to hold people.



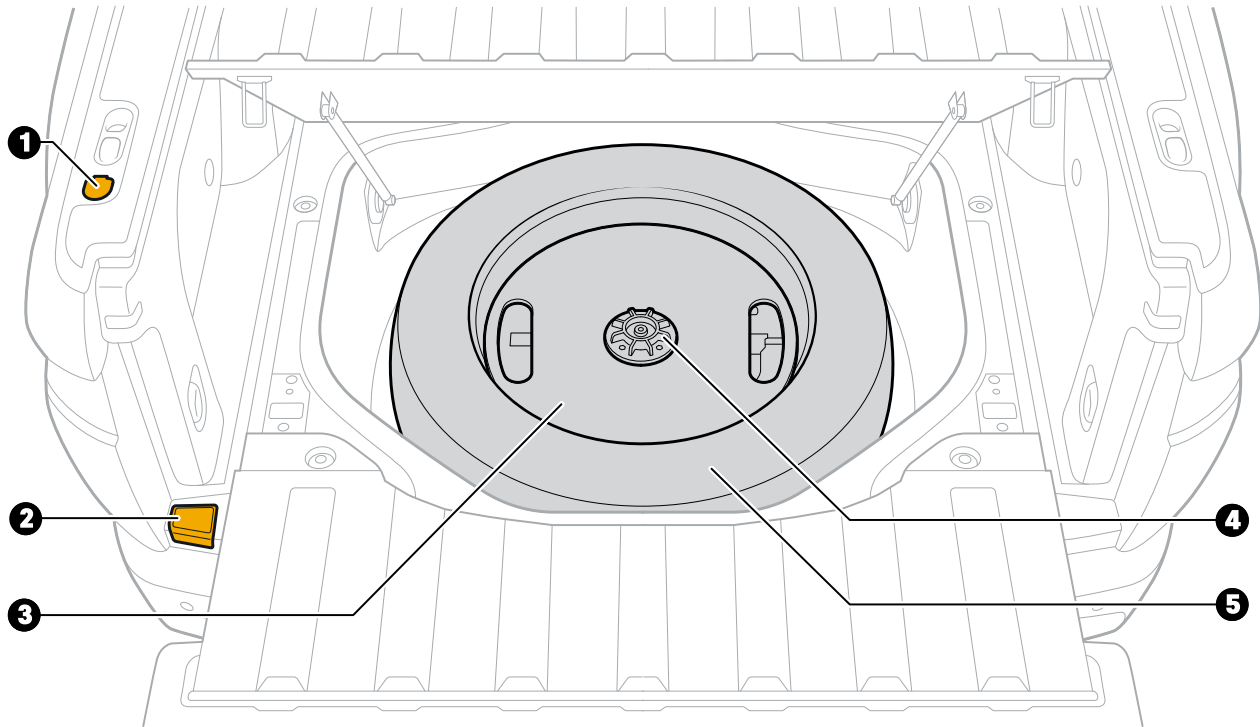
The entrapment button inside the front trunk glows in the dark for visibility. If someone is trapped inside the hood, that person can press the entrapment button to open the front trunk while the vehicle is parked. The entrapment button won't work if the batteries are dead. Refer to [Manually Open the Hood](#) for details.

IMPORTANT

The entrapment button won't release the hood door if the vehicle is in Drive, Neutral, or Reverse. If someone presses the entrapment button, a notification appears on the driver display. Prepare to park the vehicle immediately. Once you park the vehicle, open the hood.

Spare Tire Compartment

You can order a full- or compact-size spare tire from Rivian at additional cost or you can obtain one on your own.



Item	Description
1	Tailgate release button
2	Spare tire compartment release lever
3	Tire jack kit
4	Spare tire wing nut
5	Spare tire

ACCESS THE SPARE TIRE COMPARTMENT

1. Ensure that the truck bed is empty, and that there aren't any objects on the lid.
2. Open the tailgate.
3. Lift the release lever to open the spare tire compartment. You can push the spare tire compartment lid to a vertical position if needed.

Cargo Crossbars

NOTE

This is an optional Adventure Gear product. Learn more at rivian.com.

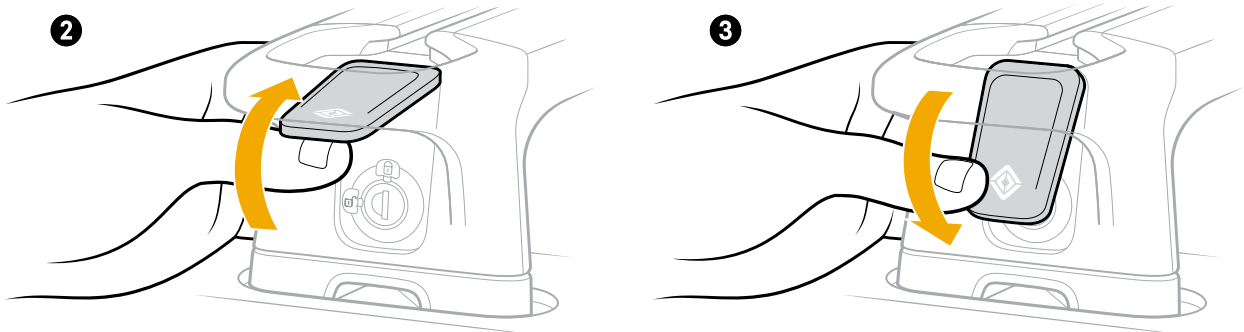
The Cargo Crossbar set includes:

- 2 crossbars
- 2 locking keys

INSTALL THE CROSSBARS

The roof of the vehicle is equipped with accessory ports. If you have a truck bed, there are additional accessory ports on the truck bed rails.

1. Adjust the width of the crossbars by extending them over the accessory ports on the vehicle.
2. After adjusting the crossbar width, lift up the crossbar paddle while setting the crossbar into the accessory port. You should hear one click.

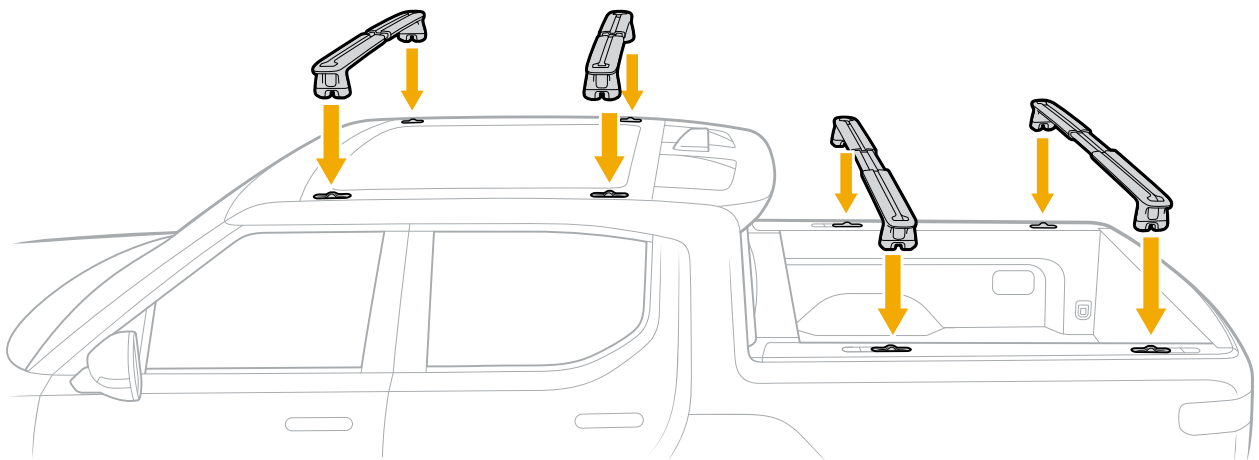


3. Ensure the crossbar is centered in the accessory port, then push the paddle down until you hear a second click. You may need to apply some additional downward force to fully latch the crossbar into the accessory port.

IMPORTANT

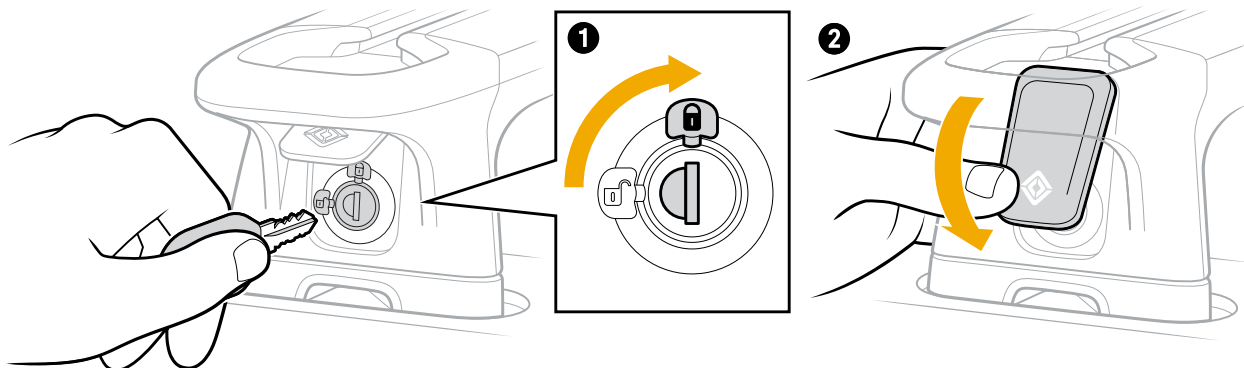
If you don't hear 2 clicks, the crossbar may not be latched. Reinstall the crossbar in the accessory port.

4. Repeat steps 2 and 3 to latch the remaining crossbar ends into the accessory ports.



LOCK THE CROSSBARS

1. Lock the crossbars with the key by turning clockwise.



2. Push the crossbar paddle all the way down to cover the lock cylinder.
3. Repeat steps 1 and 2 on the remaining crossbar ends to ensure the crossbars are fully locked.



WARNING

- Incorrectly mounted crossbars and unsecured loads can loosen while driving and cause a serious crash. Check that the crossbars and loads are completely secured before driving, especially after driving through rough terrain.
- Don't drill holes in the crossbars. Only use manufacturer recommended parts and accessories.
- Modifications or accessories not provided by the manufacturer will void the manufacturer's warranty. The owner assumes liability for any damage or crashes caused by unauthorized modifications.

CROSSBAR LOADING



WARNING

- Don't exceed the maximum specified load for the Cargo Crossbars.
 - Be aware of overall vehicle payload capacities while loading the Cargo Crossbars.
 - Refer to the Tire and Loading Information label and Load Carrying Capacity Modification label (if included) on the driver's door pillar for the maximum allowable vehicle payload.
-
- The maximum dynamic (driving) load is 250 lbs (113 kg) per crossbar pair.
 - The maximum static (parked) load is 780 lbs (353 kg). For example, when the vehicle is parked at a campsite with a rooftop tent, the maximum roof load is 780 lbs (353 kg) per crossbar pair.

Evenly distribute the load on the crossbars, maintaining a low center of gravity.



DANGER

Any load that extends over the windshield must be secured to the front and rear of the vehicle, in addition to the Cargo Crossbars. Failure to do so can result in property damage, personal injury, or death.

REMOVE THE CROSSBARS

1. Push up the crossbar paddle halfway to access the lock.
2. Unlock the crossbar with the key.
3. Lift up the paddle while lifting the crossbar to disengage the crossbar from the accessory port.



4. Repeat steps 1 to 3 for the remaining crossbar ends. Carefully remove the crossbars from your vehicle.

MAINTENANCE

Clean the crossbars with a solution of water and standard car wash liquid. Don't use cleaners that contain bleach, ammonium, or alcohol. Remove the crossbars when not in use.

CROSSBAR LATCH TUNING

Over time, the crossbar latching mechanism may need adjustment. Contact [Rivian Service](#) if the crossbar doesn't securely latch in the accessory ports.

Tailgate

The tailgate folds down flat and locks or unlocks simultaneously when the vehicle is locked or unlocked.

USE THE TAILGATE

Open the tailgate with one of the following:

- Key fob
- Button on the exterior bed rail
- Center display
- Rivian app
- Entrapment button inside the truck bed

NOTE

The tailgate can only be closed manually.

OPEN THE TAILGATE WITH THE KEY FOB

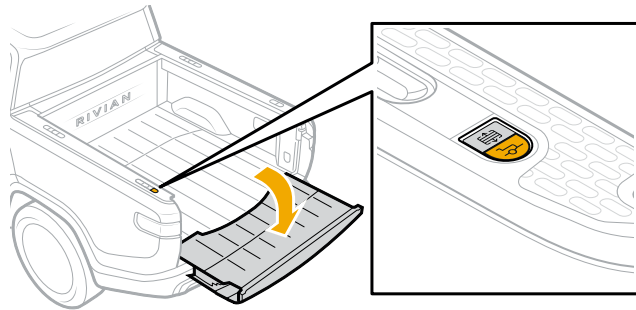
Press the tailgate button on the key fob twice to unlatch the tailgate.

OPEN THE TAILGATE WITH THE TAILGATE BUTTON

Press the tailgate button on the exterior bed rail to open the tailgate. The tailgate will unlatch and slowly open.

NOTE

Since the tailgate uses gravity to open, it won't open if the car is pointed downhill. In this case, you'll need to open the tailgate manually after pressing the button.



OPEN THE TAILGATE WITH THE CENTER DISPLAY

Follow these steps to open the tailgate with the center display:

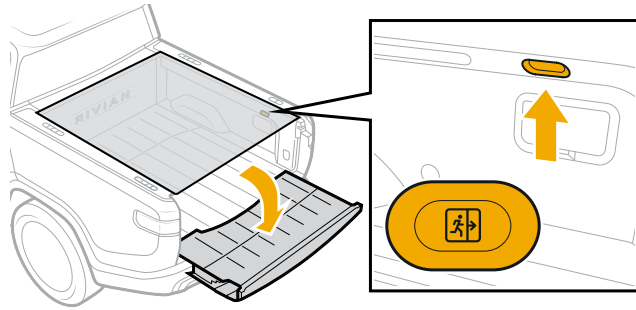
1. Go to Access and Security on the center display.
2. Choose the tailgate button.

OPEN THE TAILGATE WITH THE RIVIAN APP

Open the tailgate using the Rivian app by following these steps:

1. Press the tailgate button on the app.
2. Choose **Confirm**.

OPEN THE TAILGATE WITH THE ENTRAPMENT BUTTON



The entrapment button in the truck bed glows in the dark for visibility. If someone is trapped inside the truck bed, they can press the entrapment button to open the tailgate while the vehicle is parked.

IMPORTANT

The entrapment button won't release the tailgate if the vehicle is in Drive, Neutral, or Reverse. If someone presses an entrapment button, a notification appears on the driver display. Prepare to park the vehicle immediately. Once you park the vehicle, open the tailgate.

Truck Bed



CAUTION

The truck bed won't remain dry if you drive in water that's higher than the truck bed floor. If you're planning to drive your Rivian R1T in deep water or in snow without a tonneau cover, ensure that equipment stored in your truck bed won't be damaged by contact with water.

Tonneau Cover

The tonneau cover provides lockable storage for your gear and protects against light weather.



CAUTION

The tonneau cover is not water-tight.

Use the front trunk, Gear Tunnel, or the back row under-seat storage to protect your gear from water.

OPEN THE POWERED TONNEAU COVER

Open and close the tonneau cover using one of the following:

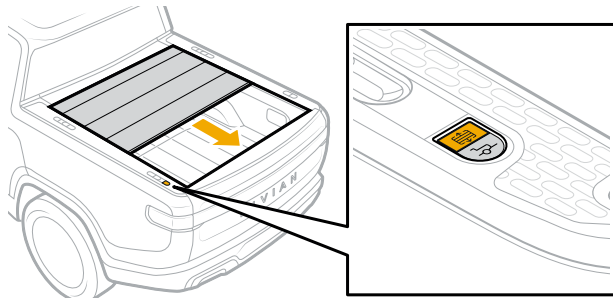
- Button on the exterior bed rail
- Rivian app
- Center display

NOTE

If the tonneau cover detects an obstacle while opening or closing, it will stop.

USE THE TONNEAU COVER BUTTON

Press the tonneau cover button on the exterior bed rail one time to open or close the tonneau cover.



NOTES

- Press the tonneau cover button on the truck bed to pause the cover. Press the button again to reverse the cover.
- To partially open or close the tonneau cover, press and hold the tonneau cover button and then release the button to stop. Press the button again to reverse the cover.

OPEN OR CLOSE THE TONNEAU COVER WITH THE CENTER DISPLAY

Follow these steps to open or close the tonneau cover from the center display:

1. Go to **Access and Security** on the center display.
2. Choose the tonneau cover button to open or close the tonneau cover.

USE THE RIVIAN APP TO OPEN OR CLOSE THE TONNEAU COVER

Follow these steps to open or close the tonneau cover from the Rivian app:

1. Choose the tonneau cover button in the app.
2. Choose **Confirm**.

Use the Gear Tunnel Storage

The Gear Tunnel storage offers a compartment for holding equipment or other items.

OPEN THE GEAR TUNNEL STORAGE

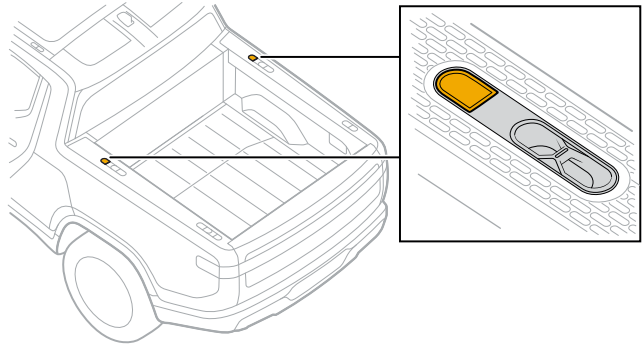
Park the vehicle before you access the Gear Tunnel storage.

IMPORTANT

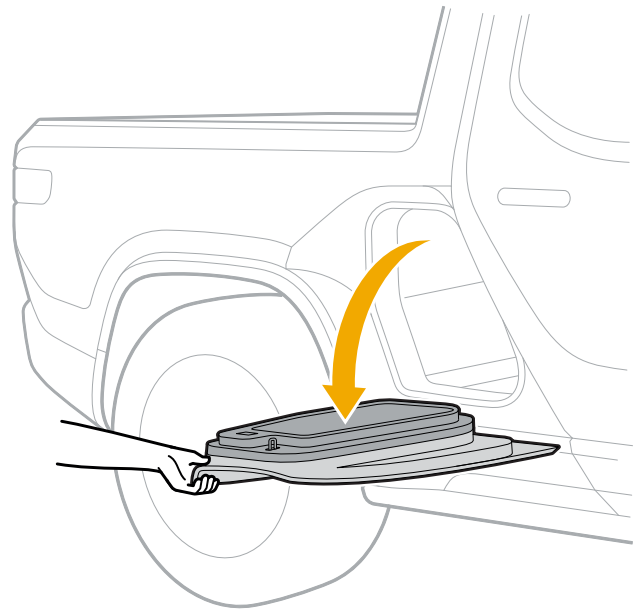
- Objects stored in the Gear Tunnel storage may shift while driving. Use care when you open the Gear Tunnel storage.
- Don't go into the Gear Tunnel storage; it isn't intended to hold people.
- Don't drive with your pets in the Gear Tunnel storage; it isn't intended to hold pets.

1. Open the Gear Tunnel storage using one of the following options:

- Buttons on the rails of the truck bed
- Center display
- Entrapment buttons inside the Gear Tunnel storage



2. After releasing the Gear Tunnel door, lower the door until it is completely open.



Lights turn on inside the Gear Tunnel storage when you open a Gear Tunnel door.

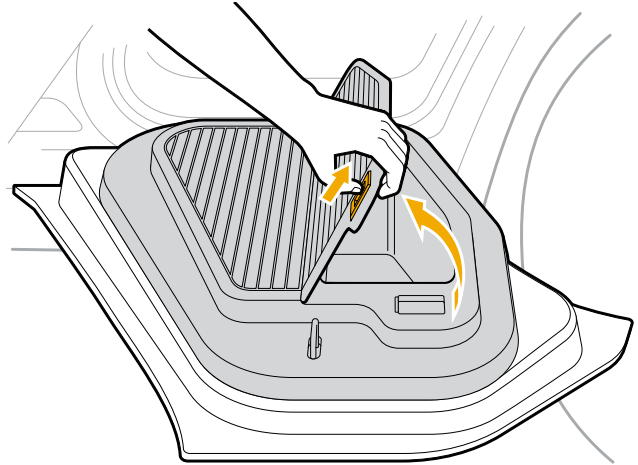
NOTE

You can access the Gear Tunnel storage from inside the vehicle cabin if the rear seat armrest is down; however, we recommend accessing it only while the vehicle is parked.

USE THE GEAR TUNNEL DOORS

Each Gear Tunnel door offers a compartment that you can use for optional storage. The driver-side Gear Tunnel door holds the tools for the air compressor.

To open the compartment in the Gear Tunnel door, slide the tab to release the compartment cover.



Use the Gear Tunnel doors for support when loading and unloading items. You can also sit or stand on the Gear Tunnel doors.



WARNING

The maximum static load capacity is 250 lbs (110 kg) for each Gear Tunnel door.

CLOSE THE GEAR TUNNEL STORAGE

When you have finished loading or unloading the Gear Tunnel storage and want to close it, lift the Gear Tunnel door until it latches.

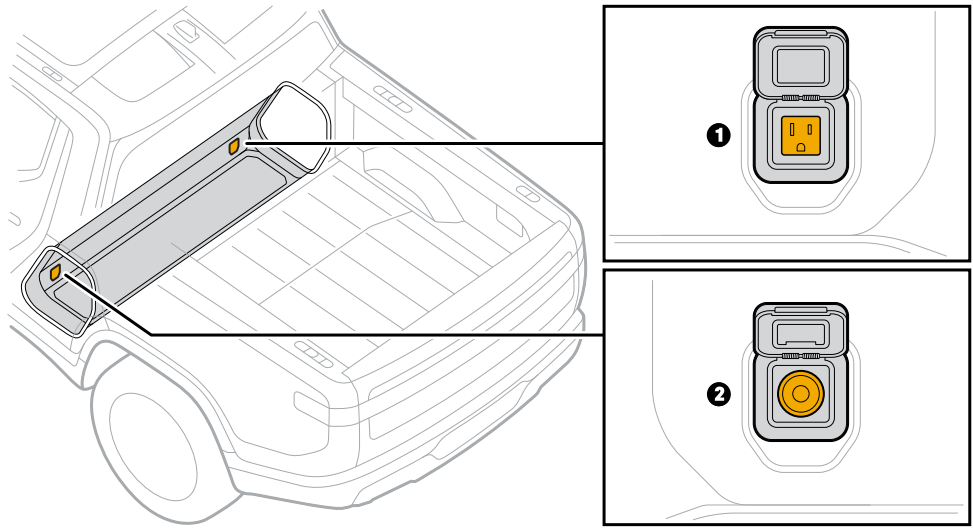
IMPORTANT

When you drive the vehicle, ensure that the Gear Tunnel doors are completely closed and flush with the vehicle. If you drive the vehicle with a Gear Tunnel door open, the vehicle will significantly limit the maximum speed for safety reasons.

POWER DEVICES

To power external devices, the Gear Tunnel storage offers the following:

- One 120 V power outlet
- One 12 V power outlet

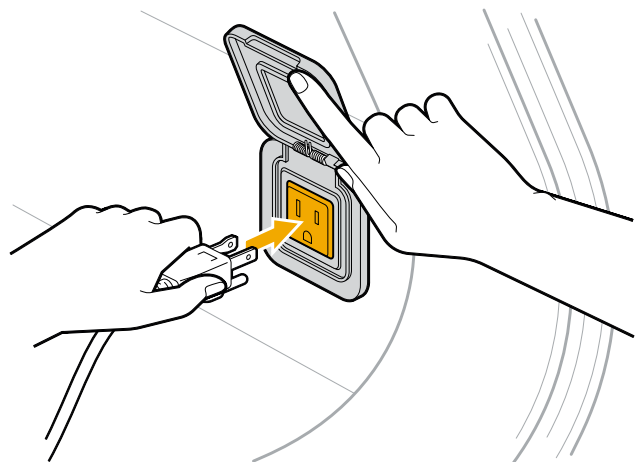


Item	Description
1	<p>120 V outlet - Choose Vehicle from the menu on the center display to turn on or off 120 V outlets in the vehicle.</p> <p>NOTE Turn off 120 V outlets when you aren't using them. If you leave the 120 V outlets turned on, they will remain active and can reduce the range of your vehicle even if you lock and leave the vehicle.</p>
2	12 V outlet - Power is always on.

Provide Power to a 120 V Device

To use the 120 V outlet, follow these instructions:

1. Ensure that 120 V outlets are turned on in the vehicle.
2. Flip up the cover of the 120 V outlet.
3. Insert the power plug into the 120 V outlet.



Before you close the Gear Tunnel doors, follow these instructions:

1. Unplug the device from the 120 V outlet.
2. Flip down the cover on the outlet.
3. Turn off 120 V outlets in the vehicle.



DANGER

Rivian-supplied accessories work best with your vehicle. To reduce risk of fire or a thermal event, use caution when leaving non-Rivian devices plugged in and unattended in the Gear Tunnel.

- Don't let objects obstruct any outlets being used.
- Leaving the 120 V outlets powered on will reduce the range of your vehicle, even if no devices are plugged in.
- If using a powered device not supplied by Rivian, turn off and unplug the 120 V outlet in the Gear Tunnel before closing the Gear Tunnel doors.
- Objects in the Gear Tunnel may shift around while driving.

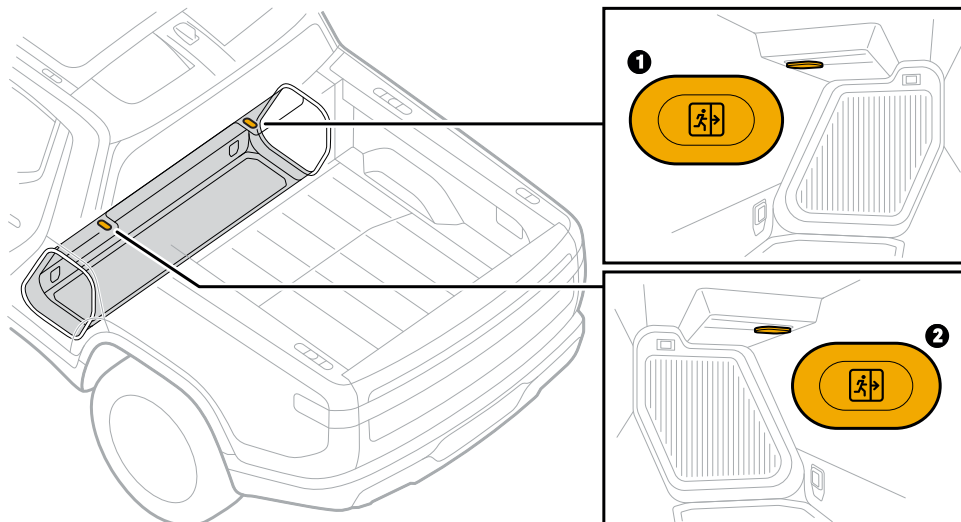


CAUTION

- Don't use an outlet with any device that requires over 1,500 W (1.5 kW) of power. If the 120 V circuits overload, the power cuts off. Unplug devices before turning the outlets back on.
- Don't use more than one high-powered device at the same time. The 120 V outlets share the 1,500 W (1.5 kW) of power.

EXIT THE GEAR TUNNEL STORAGE

If someone is trapped inside the Gear Tunnel storage, that person can press either entrapment button to open both Gear Tunnel doors while the vehicle is parked. The entrapment buttons glow in the dark for visibility.



Item	Description
1	Driver-side entrapment button
2	Passenger-side entrapment button

IMPORTANT

The entrapment buttons won't release the door latches if the vehicle is in Drive, Neutral, or Reverse. If someone presses an entrapment button, a notification appears on the driver display. Prepare to park the vehicle immediately. When the vehicle is parked, open the Gear Tunnel doors.

MAINTAIN THE GEAR TUNNEL STORAGE

You can remove the rubber mat from the Gear Tunnel storage to clean it.

1. Lift the rubber mat from the bottom of the Gear Tunnel storage.
2. Clean the mat with a solution of water and standard car wash liquid.



CAUTION

Don't use cleaners that have bleach or ammonium.

3. Dry the mat with a towel before placing it back inside the Gear Tunnel storage.

SECURITY

Use the Gear Guard Security System

The Gear Guard security system monitors the vehicle and deters theft for items stored in the truck bed. It includes the following:

- Gear Guard cable
- Gear Guard video
- [Gear Guard alarm](#)

USE A GEAR GUARD CABLE

A proprietary steel core cable locks into one side of the truck bed to help keep equipment safe. The vehicle offers two cable length options.

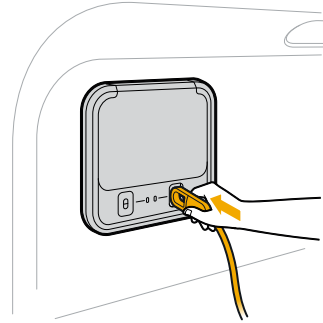
To secure your gear, follow these instructions:

STORAGE AND SECURITY

1. Thread the cable through your gear.
2. Insert each end of the cable into a latch until the latch closes with a click.

NOTE

The latches are located below the air compressor.

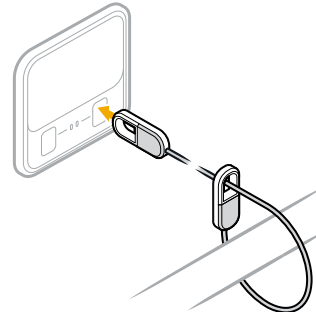
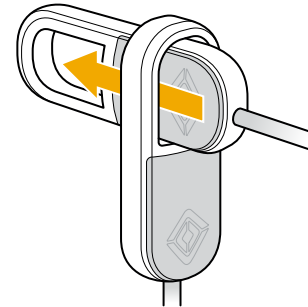


NOTE

To use the full length of the cable to secure gear, you can thread one end of the cable through the loop on the other end of the cable before securing it to the latch.

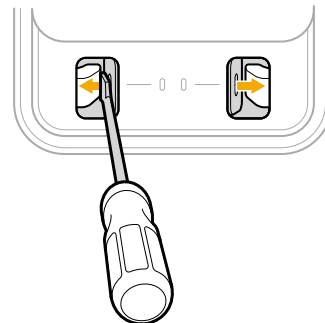
3. The ends of the cable lock into place when you lock any of the following:
 - The vehicle
 - All doors
 - The Gear Guard security system by choosing **Vehicle** from the menu on the center display

A flashing light next to a latch indicates that the latch is locked.



NOTE

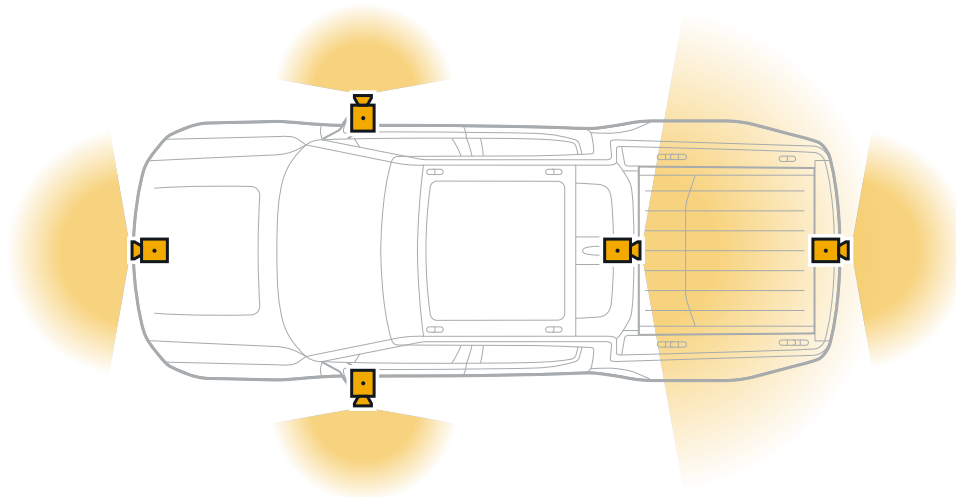
If you can't insert an end of the cable into a latch, the latch may be in the closed position. Use a flathead screwdriver to push the latch sideways to open it.



To unlock the cable, unlock all doors or the Gear Guard cable; choose **Vehicle** from the menu on the center display.

USE GEAR GUARD VIDEO

A camera monitors the truck bed, and additional cameras monitor the perimeter of the vehicle. These cameras offer video recording.



Enable Recording

To enable recording, choose **Vehicle** from the menu on the center display and turn on Gear Guard video.

NOTE

For initial use, acknowledge the terms of use on the center display.

Choose **Everywhere** to allow Gear Guard to record video in any location, or choose **Away from Home** to record video only when the vehicle is away from home.

IMPORTANT

If you set Gear Guard video to **Away from Home**, ensure you set a home address in the Navigation app; otherwise, Gear Guard won't record any videos because it doesn't know which locations to consider as away from home.

Trigger Recording

The following conditions trigger the camera to begin recording video if recording is available:

Condition	Actions
A monitoring camera detects the presence of people near the exterior of the vehicle.	The center display indicates that Gear Guard video is on. The Gear Guard security system makes no audible alarm.
The Gear Guard security system detects motion inside the cabin of the vehicle.	The Gear Guard alarm sounds and the lights flash.
The Gear Guard security system detects an opened door.	The Gear Guard alarm sounds and the lights flash.
The Gear Guard security system detects the vehicle tilting, as if it were being towed.	The Gear Guard alarm sounds and the lights flash.
The Gear Guard security system detects the activation of panic mode.	The Gear Guard alarm sounds and the lights flash.


All cameras record video for a limited duration.

View Recorded Videos

Choose **Gear Guard** from the menu on the center display to view recorded videos saved as the following types:



- **Alarm:** Triggered by the Gear Guard alarm.
- **Motion-Detected:** Triggered when the Gear Guard security system detects motion.
- **Starred:** Videos you selected to save.

IMPORTANT

The on-board hard drive automatically deletes recorded videos after several days. To save videos, choose **Gear Guard** from the menu on the center display and choose the **Star** button  for each video you want to save.


Select a video. You can play, pause, rewind, or forward a video.

You have the following options:

- Choose the **Star** button  to save the video from automatic deletion.
- Choose the **Delete** button  to immediately delete the video.
- Choose **Copy to USB-C** to copy the video to your USB-C drive.

To select multiple videos, choose **Select** and then select the videos.

You have the following options:

- Choose **Delete** to immediately delete the videos.
- Choose **Cancel** to cancel your changes.
- Choose the **More** button  for the following:
 - Choose **Select all** to select all of the videos.
 - Choose **Copy to USB-C** to copy the videos to your USB-C drive.

Copy a Recorded Video to a USB-C Drive

If you want to copy a video from your vehicle to your computer, you can use a USB-C drive (not included).

The USB-C drive requires the following:

- 64 GB (minimum) of storage
- FAT32 or MS-DOS (FAT) format (NTFS not supported)
- A top-level folder named **GearGuardvideo**

To copy a video to a USB-C drive, follow these instructions:

1. On your computer, create a top-level folder named **GearGuardvideo** on your USB-C drive.
2. Eject the USB-C drive from your computer and connect it to one of the USB-C ports in the center console of your vehicle.
3. Choose **Gear Guard** from the menu on the center display and select the video to copy.
4. Choose **Copy to USB-C** on the center display.
5. The vehicle saves the video in the **GearGuardvideo** folder on your USB-C drive.



Use the Gear Guard Alarm

The Gear Guard alarm is part of the [Gear Guard security system](#).

ENABLE OR DISABLE THE GEAR GUARD ALARM

The Gear Guard alarm remains enabled by default. To disable the Gear Guard alarm, choose **Vehicle** from the menu on the center display to access it.

ARM OR DISARM THE GEAR GUARD ALARM

When all of the following conditions apply, they trigger the Gear Guard alarm to automatically arm itself:

- You enable the Gear Guard alarm.
- You close and lock all of the doors.
- The vehicle can't detect anyone inside the cabin.

THE GEAR GUARD ALARM TRIGGERS

The following conditions trigger the Gear Guard alarm if you arm it:

- The vehicle detects motion inside the cabin.
- The vehicle detects an opened door.
- The vehicle tilts as if being towed.
- You activate panic mode by pressing the **Lock** button on the key fob for 2 seconds.

STOP THE GEAR GUARD ALARM

When the Gear Guard alarm activates, no one can drive the vehicle, the alarm sounds, and the lights flash.

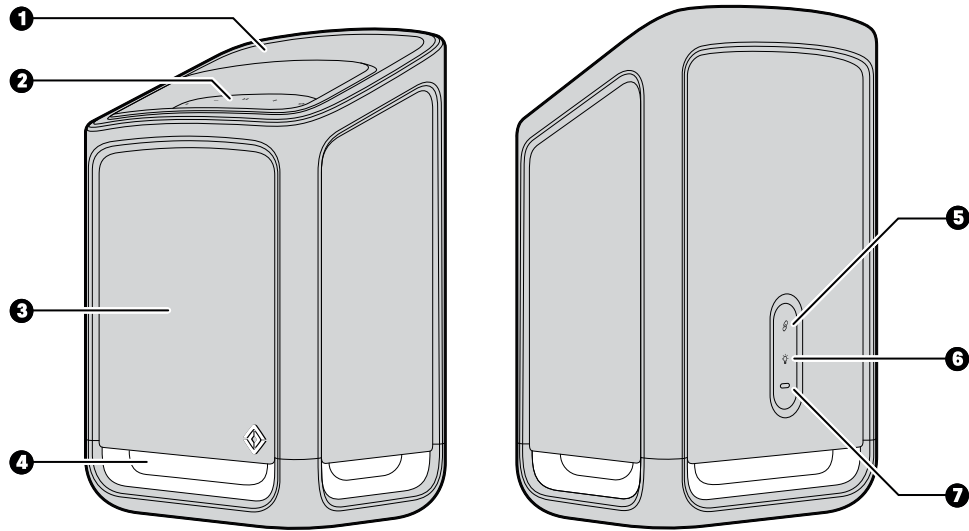
To stop the Gear Guard alarm, do one of the following:

- Unlock the vehicle with a key to disarm the alarm.
- Lock the vehicle with a key. The alarm remains armed.
- Allow the alarm to time out after 1 minute. The alarm remains armed.

Camping and Off-Road

CAMPING

Rivian Camp Speaker



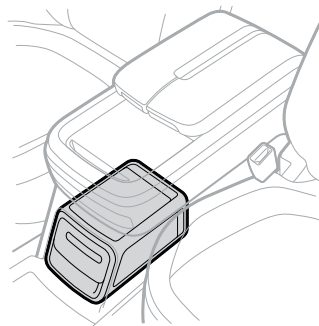
Item	Description
1	Handle
2	Audio controls
3	Fabric speaker covers
4	Lantern
5	Connect button
6	Lantern button
7	USB-C port

SPEAKER SPECIFICATIONS

Item	Value
Model	RCS 1.0
Dimensions (height x length x width)	9.9 in x 6.7 in x 5.1 in (252 mm x 170 mm x 128.5 mm)
Weight	5.7 lb (2.6 kg)
Battery capacity (minimum)	32 Watt hours
Charge time (maximum)	3 hours
Play time (minimum, audio only)	6.5 hours
Lantern (50% brightness)	4 hours
Input power	30 Watts
Input rating	Type C: DC DC 5 V / 9 V / 15 V / 20 V Pogo pin: DC 12 V
Output rating	Type C: DC 5 V / 2 A
Ambient temperature (operating)	32°F–104°F (0°C–40°C)
Safe storage temperature (non-operating)	up to 185°F (85°C)

GETTING STARTED

The Rivian Camp Speaker comes charged and ready to use. The speaker is docked in the center console.




You can view the speaker status on the vehicle's center display.



POWER MODES

Mode	State	Behavior
Off	Not connected	Buttons are dark
Standby	Connected to <i>Bluetooth</i> [®] battery-saving mode	Buttons are softly lit
On	In use	Lantern is on Music is playing

Turning On the Speaker

- If the speaker is on standby, press any button to wake it.
- If the speaker is off, hold down the **Action**  button for 3 seconds to wake it.

Connecting with Bluetooth

When the speaker isn't docked inside the vehicle, press the **Connect**  button for 2 seconds on the speaker to enter pairing mode, or manually connect to it from the Bluetooth menu on your smartphone. The Connect light  blinks blue when pairing and is solid blue when connected. The speaker will stay connected to that device until docked inside the vehicle or connected to another device.

If no Bluetooth device is connected, the speaker will search for devices to pair with for 30 seconds.

Once the speaker has established a Bluetooth connection, it remembers up to eight Bluetooth devices. When you turn it on again, the speaker automatically searches for a known device that's available nearby.

NOTE

The speaker supports Bluetooth devices version 4.2 and up.

Charging with a USB-C Cable

When the speaker is not docked, you can charge the speaker by connecting to a power source using the USB-C cable.

Undocking the Speaker

The speaker unlocks once the vehicle is in Park, or when the vehicle is unlocked. Pull the speaker straight out by the handle to remove it from its dock. You can continue listening by taking the speaker with you.

NOTE

If the speaker is locked in its dock, don't pull on the speaker too hard to avoid damaging the latch.



CAUTION

Don't store items in the speaker's dock. This may damage the charging contacts within the dock.

Docking the Speaker

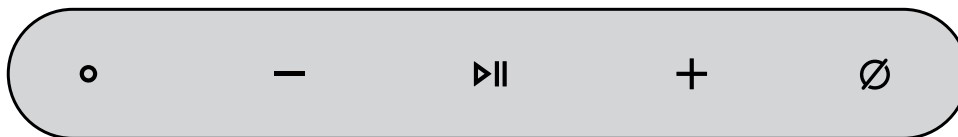
The speaker powers down when it is docked and begins charging.

NOTE

The speaker locks in place when the vehicle is in motion.

BUTTONS

The control buttons at the top of the speaker are visible once the speaker is powered on.



Actions

Icon	Color	Name	Result
	<ul style="list-style-type: none"> White (Off) Blue (Bluetooth On) 	Connect (Bluetooth)	<ul style="list-style-type: none"> Once the speaker is on, hold down for 2 seconds to start or stop Bluetooth pairing. The icon will blink slowly while in pairing mode and stop blinking when pairing is complete. Hold down for 30 seconds to perform a hardware reset.
	White	Lantern	<ul style="list-style-type: none"> If the speaker is in Standby mode, press to cycle the lantern through Low, Medium High, and Off states. Once the lantern is lit, hold down for 2 seconds to turn off the lantern.
	White	Action	<ul style="list-style-type: none"> Reset the speaker by holding down for 3 seconds to turn it completely off. Then hold down for 3 seconds to power it back on.
	White	Volume -	<ul style="list-style-type: none"> Press to decrease audio volume in single steps. Hold down to accelerate decreasing the audio volume.
	White	Play/Pause	<ul style="list-style-type: none"> Press to toggle between playing and pausing audio. Press 2 times to skip to the next track. Press three times to go back to the previous track.

Icon	Color	Name	Result
			<ul style="list-style-type: none"> Hold down for 7 seconds to put the speaker in Standby mode.
+	White	Volume +	<ul style="list-style-type: none"> Press to increase audio volume in single steps. Hold down to accelerate increasing the audio volume.
∅	White (Off) Red (Muted)	Mic Mute	<ul style="list-style-type: none"> Press to toggle between muting and unmuting the microphone.
		Play Next*	<ul style="list-style-type: none"> Press to skip to the next song, or to the next radio station. Hold down to fast-forward through the current song, or skip to the next radio station.
		Play Previous*	<ul style="list-style-type: none"> Press to go back to the start of the current song, or to the previous radio station. Press continuously to skip to prior songs, or to prior radio stations. Hold down to rewind through the current song, or skip to the previous radio station.

*Handled on the device playing content, not on the speaker.



WARNING

Playing the sound system at high volumes can cause hearing damage.


LOW BASS MODE

Low Bass Mode turns off lower-frequency bass for a quieter listening environment, such as for areas with designated quiet hours.

Press the **Volume +** and **Volume -** buttons simultaneously for seven seconds to toggle Low Bass Mode on and off.

LANTERN

The lantern is controlled by a button at the top of the bezel. Cycle through the lantern brightness with a series of short presses: 30%, 60%, 100%, 0% (off).

At any time, hold down the **Lantern**  button to max out the brightness to 100%.



CAUTION

The Camp Speaker's lantern is not replaceable. When the lantern reaches its end of life, contact Rivian Service to have the Camp Speaker replaced.

BATTERY

Checking Charge Level

On the speaker, press the **Lantern**  button two times.

- Green: 75-100%
- Amber: 25%-75%
- Red: below 25%

Charging the Speaker

When the speaker is docked, it automatically charges. When undocked, the speaker can be charged when plugged into a USB-C source. The LED light above the USB-C connector at the rear of the speaker pulses to indicate that it is currently charging. The LED light shows as solid white when the speaker is fully charged.

A warning audio tone plays when the battery power has fallen to 5% remaining. If the battery isn't charged, the speaker will power down on its own.

NOTE

Normal battery operation will not work if the battery temperature falls outside allowed temperatures 32°F–104°F (0°C–40°C).

RESETTING THE SPEAKER

Hardware Reset

Perform a hardware reset when the speaker is hanging and doesn't respond to button presses.

Hold down the **Connect**  button for 30 seconds to perform a hardware reset.

Factory Reset

Perform a factory reset to completely reset the speaker to its initial state.

Hold down the **Action** , **Volume Down** , and **Play/Pause**  buttons simultaneously for 7 seconds to perform a factory reset.



CAUTION

If you perform a factory reset, the speaker no longer remembers the devices it was previously paired to. This wipes all saved device IDs and preferences.

UPDATES

The speaker can receive updates when it is docked using the vehicle's connectivity.

The speaker can be in either Standby or On modes to receive updates. If the speaker is undocked and doesn't have enough battery, you can connect to a USB-C source so that the speaker can charge while continuing the update.

CLEANING THE SPEAKER

To maintain the look and functionality of the speaker, occasionally inspect it for wear and tear through regular use. Wipe the speaker with a soft dry cloth for surface stains.











WARNING

Don't submerge the speaker in liquid. Don't use chemical cleaning agents to clean the speaker.

TROUBLESHOOTING

If the speaker isn't working as intended, refer to the following troubleshooting guide before contacting [Customer Service](#).

If This Happens	Try This
Speaker doesn't turn on	<ul style="list-style-type: none"> Remove the speaker from its dock. This triggers the speaker to turn on. Make sure the battery has enough charge. Charge the battery with a USB-C adapter for 3 hours. <ul style="list-style-type: none"> The USB-C light pulses white to indicate charging in progress. The USB-C light turns solid white to indicate a fully-charged battery. Hold down the Connect  button for 30 seconds to perform a hardware reset.
No sound	<ul style="list-style-type: none"> Press Volume Up . Make sure Bluetooth connection has been paired successfully. Make sure audio is running on the streaming source (phone or tablet). Hold down the Action , Volume Down , and Play/Pause  buttons simultaneously for 7 seconds to perform a factory reset.
Weak signal	<ul style="list-style-type: none"> Check if the device is within range for Bluetooth (<98 ft or <30 m). Move the speaker closer to the device or network that it is connected to. If device is unable to pair within range, choose the option to "forget the device" and perform re-pairing steps. Hold down the Action , Volume Down , and Play/Pause  buttons simultaneously for 7 seconds to perform a factory reset.
Lantern doesn't work	Contact Rivian Customer Service for lantern repair.

IMPORTANT SAFETY INFORMATION



DANGER

The rechargeable battery may explode if it is incorrectly replaced. Contact Rivian [Customer Service](#) for battery replacement. The speaker will force a shutdown to protect the battery if the temperature falls outside the range of -4°F to 140°F (-20°C–60°C).

- Read and keep these instructions.
- Heed all warnings and follow all instructions.
- Clean only with a soft dry cloth. Household cleaners or solvents can damage the finish.
- Openings are for ventilation. To prevent damage caused by overheating, don't block openings.
- Don't install near a heat source, such as radiators, heat registers, stoves, or other devices that produce heat.
- Avoid leaving the speaker in direct sunlight or near excessive heat. Don't leave the speaker on seats, on top of the center console, on the floor of the vehicle, or close to a camp fire.



CAUTION

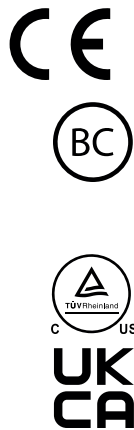
Temperatures exceeding 185°F (85°C) can damage the speaker.

- To reduce the risk of fire or electric shock, don't expose the speaker to a heavy rainstorm.
- The lantern light will quickly flash red before shutting off to indicate that the speaker is overheating or too cold.
- Only use attachments or accessories specified by the manufacturer, such as a USB-C cable.
- Ensure that any cables plugged into the speaker aren't pinched or knotted, and that cables can't be walked on or tripped on.
- Unplug attachments and accessories from the speaker during lightning storms or when stored for long periods of time.
- Refer all servicing to Rivian qualified service personnel. Servicing is required when the speaker is not functioning normally, or has been damaged in any way, such as exposure to spilled liquids, excessive rain, or moisture.

REGULATORY INFORMATION



This symbol means the product must not be discarded as household waste, and should be delivered to an appropriate collection facility for recycling. Proper disposal and recycling helps protect natural resources, human health, and the environment. For more information on disposal and recycling of this product, contact your local municipality, disposal service, or Rivian.



Air Compressor

The air compressor features a quick-disconnect air chuck with a hose that extends to all four wheels. The air compressor hose and accessories are stored in the Gear Tunnel door. These accessories allow you to inflate bicycle tires, inflatable rafts, or other adventure equipment up to 140 psi.

AIR COMPRESSOR ACCESSORY KIT

- 20 ft hose with Velcro strap
- Air chuck with quick-disconnect fitting
- Inflation needles and adapters




USE THE AIR COMPRESSOR

You can use the air compressor when the vehicle is in Park and unlocked. The air compressor is ready when the display shows a PSI reading.




Button	Function
-	Decrease the set pressure
+	Increase the set pressure
▶	Start or pause the compressor


INFLATE TIRES AND ADVENTURE EQUIPMENT

1. Check the maximum recommended pressure of the tire or adventure equipment you are inflating before connecting the air compressor.
2. Push the air chuck firmly into one end of the pressure hose.
3. Connect additional adapters if needed.
4. Push the opposite end of the pressure hose on to the compressor's quick-disconnect fitting. The hose will snap onto the valve.
5. Connect the air chuck to the tire or equipment you are inflating. The air chuck locks on the valve stem. The display shows the detected pressure.
6. Press the **Plus**  button to set the target pressure. "Set" appears on the display. Hold the **Plus**  button or **Minus**  button to quickly advance to your target pressure.



7. Press the **Start**  button to start the compressor. The compressor stops when it reaches the target pressure.
8. Squeeze the lever on the air chuck to remove it from the tire or equipment.

NOTES

- If you don't press the **Start** button, the pressure setting times out after 5 minutes. If the system times out, set the target pressure again, and then press **Start**.
- If the target pressure is less than the actual pressure, an error message appears on the display.
- Press the **Pause**  button to pause the compressor. You can increase or decrease the target pressure when the compressor is paused.
- The compressor powers off if there is no interaction for 10 minutes.



CAUTION

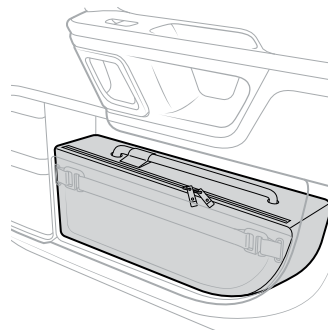
- To prevent overheating, don't operate the air compressor continuously for more than 10 minutes.
- The compressor is equipped with a thermal reset switch that powers off the compressor if it gets too hot. After the compressor cools, the switch resets.

Field Kit

The optional field kit can be stored in the passenger-side door. You can use it for a number of emergencies, including medical and survival situations. In the Field Kit you will find items to treat minor to major injuries. Read the full list of contents inside the kit.

NOTE

Replace any used or out-of-date contents.



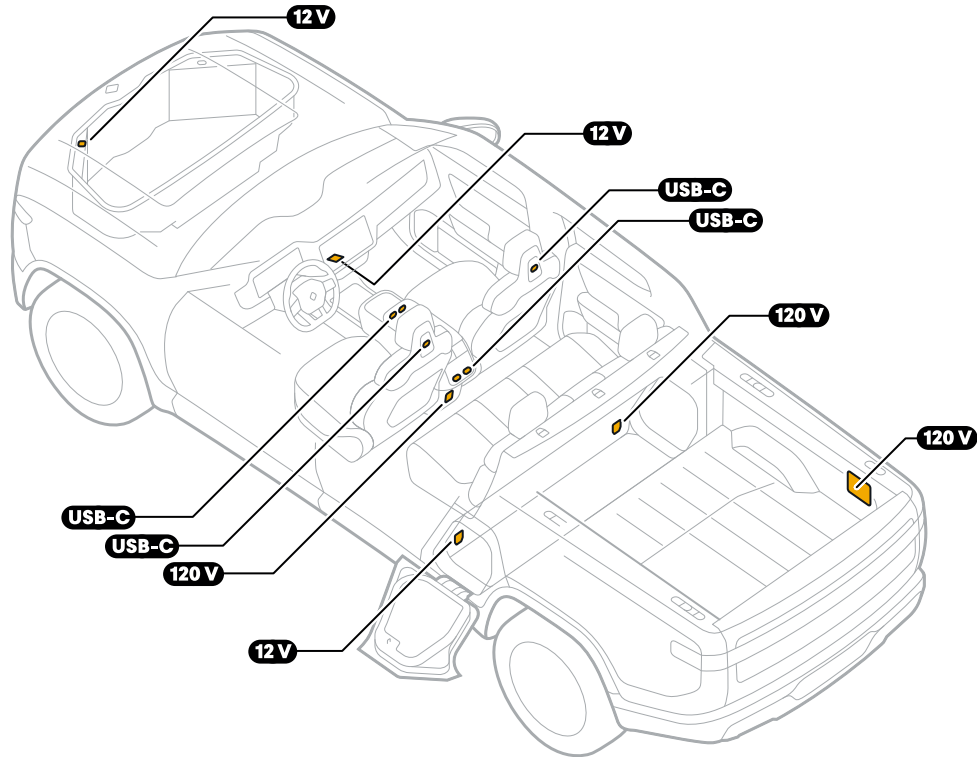
Power Outlets

The following power outlets are available in the vehicle:

- 12 V
- 120 V
- USB-C
- [Wireless Charger](#)

NOTES

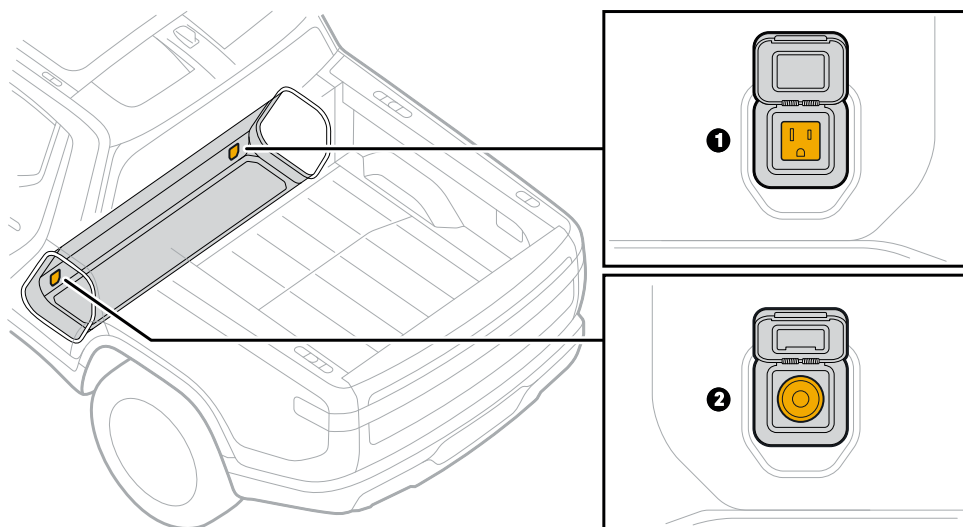
- The USB-C outlets at the back of the head restraints and below the rear display screen are for charging only. The USB-C ports can charge a max of 15 W and are best suited for smaller electronic devices such as a phone or tablet.
- The USB-C outlets within the storage bin of the center console can charge and store data, such as security footage from the [Gear Guard](#).



DANGER

Rivian-supplied accessories work best with your vehicle. To reduce risk of fire or a thermal event, use caution when leaving non-Rivian devices plugged in and unattended in the Gear Tunnel.

- Don't let objects obstruct any outlets being used.
- Leaving the 120 V outlets powered on will reduce the range of your vehicle, even if no devices are plugged in.
- If using a powered device not supplied by Rivian, turn off and unplug the 120 V outlet in the Gear Tunnel before closing the Gear Tunnel doors.
- Objects in the Gear Tunnel may shift around while driving.



Item	Outlet	Power State
1	120 V	Power is off by default. Once you turn them on from the Vehicle menu on the center display, they all remain on.
2	12 V	Power is always on when the vehicle is on.



CAUTION

- Don't use an outlet with any device that requires over 1,500 W (1.5 kW) of power. If the 120 V circuits overload, the power cuts off. Unplug devices before turning the outlets back on.
- Don't use more than one high-powered device at the same time. The 120 V outlets share the 1,500 W (1.5 kW) of power.

CONVENIENCE POWER

Convenience power allows you to keep your vehicle powered on even when you walk away from your vehicle, lock the car, or restart the vehicle.

A visual indicator appears in the center of the status bar to alert you if the power is on. Convenience power turns off when it detects that your vehicle battery is low.

NOTE

Using convenience power will reduce your range.

OFF-ROAD DRIVING

Drive Across Water

The vehicle can cross water up to 39 in (1 m) deep at up to 5 mph (8 km/h).



CAUTION

Follow these guidelines to prevent damage to the vehicle.
Avoid driving in cross-currents.

ASSESS THE TERRAIN

- Check the water depth and ground surface before crossing.
- Be aware of obstacles or debris underwater.

PREPARE THE VEHICLE

- Go to **Drive Modes** in the center display. Choose **Off-Road**. Then choose **Highest** under **Ride Height**.
- Distribute gear evenly between the front trunk, Gear Tunnel and the truck bed to optimize traction.

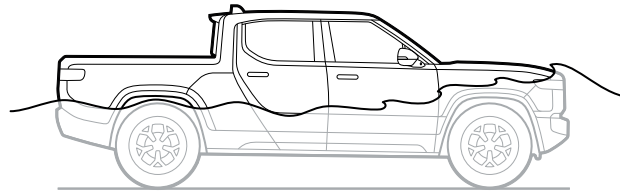
NOTE

Gear in the truck bed may get wet.

- Close the doors, front trunk, Gear Tunnel, and spare tire compartment.
- Leave the windows open to ensure easy exit in case of an emergency.

CROSS THE WATER

- Enter the water slowly and maintain a steady speed without stopping.
- Don't let water submerge the hood and avoid driving at a speed that causes water to splash over the hood.



- Drive a short distance away from the water after crossing and test your brakes to ensure they're working normally.
- Press and hold the horn for two seconds to clear any water. Repeat four more times. If the horn isn't working normally on the fifth press, allow time for the horn to dry out.

TOWING AND LOADING

Tow Hitch

The R1T can tow up to 11,000 lbs (4989 kg) using a weight distributing hitch, and up to 5,000 lbs (2267 kg) using a standard hitch. Range is affected by towing. Hauling 11,000 lbs (4989 kg) will significantly reduce range.

See the Tire and Loading Information label on the driver-side door frame. The label describes the load capacity for the vehicle with or without a trailer. Trailer loads are transferred to the vehicle, so you must include the trailer and cargo weight when calculating the vehicle's cargo capacity.

To determine the vehicle's correct load limit, see [Tires and Wheels](#).

TOWING FEATURES

- Integrated 2 inch Class V receiver
- Trailer stability assist

REMOVE THE TRAILER HITCH COVER

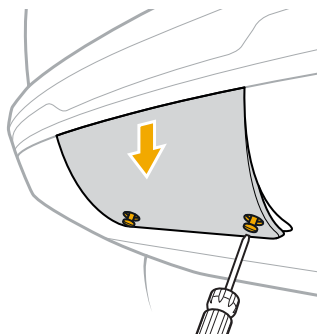
The trailer hitch cover is under the rear bumper. To remove the trailer hitch cover, follow these steps:

1. Use a flat-head screwdriver to loosen the nylon screws in the trailer hitch cover a quarter turn counterclockwise.



CAUTION

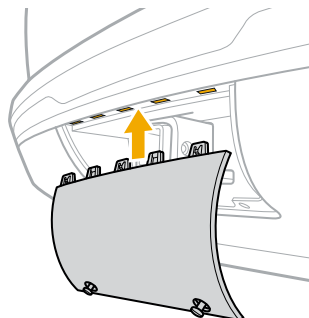
Don't try to fully release the screws. The screws are nylon and stay attached to the trailer hitch cover. Trying to remove them could break them.



2. Grip the cover and pull it down vertically to remove it.

INSTALL THE TRAILER HITCH COVER

1. Align the trailer hitch cover tabs with the trailer hitch slot. Ensure that the cover is vertical.



2. Insert the tabs into the vehicle by raising the trailer hitch cover vertically. Push the cover into the trailer hitch slot until it's flush with the bumper.
3. Use a flat-head screwdriver to turn both nylon screws a quarter turn clockwise. Stop tightening when the screws are parallel to the line on the bumper.



CAUTION

Don't over tighten the screws.

TURN ON TOWING MODE

To turn on Towing Mode, plug the trailer's electrical plug into the connector on the vehicle. The system detects an attached trailer through the electrical connector for the trailer brake and tail lights. When connected, a prompt appears on the center display. Choose **Accept** on the prompt to enter Towing Mode.

The vehicle supports electric trailer brakes. Support for additional braking systems will be available in a future update.



DANGER

Don't exit Towing Mode while driving. You could lose control of the vehicle and cause a crash.



CAUTION

- The vehicle doesn't support dinghy towing or flat towing for cars.
- Don't use your vehicle to tow charge another electric vehicle. This will damage both vehicles.

The vehicle disables the following features in Towing Mode:

- Rear ultrasonic sensors
- Automatic ride height adjustment
- Driver+ features, such as Highway Assist, Adaptive Cruise Control, Lane Keeping Assist, Automatic Emergency Braking, Blind Spot Monitoring, and Rear Cross-Traffic Alert.

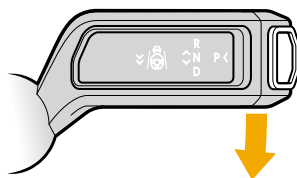
NOTES

- Vehicle Hold is limited while in Towing Mode. You may need to use the brake pedal to keep the vehicle from rolling.
- The integrated Trailer Sway Control system is always on while in Towing Mode and a trailer is connected.
- The regenerative braking setting remains the same while in Towing Mode. You can choose the regenerative braking settings from **Drive Modes** in the center display.

Non-Adaptive Cruise Control in Towing Mode

Adaptive Cruise Control is not available while in Towing Mode. In Towing Mode, you can activate the Non-Adaptive Cruise Control feature that maintains a target speed and allows you to remove your foot from the accelerator pedal.

To engage Non-Adaptive Cruise Control while driving, push the drive stalk all the way down once and then release. The vehicle chimes and then maintains the current target speed. The target speed appears in a circle at the top of the driver display.



NOTES

- To disengage Non-Adaptive Cruise Control, push the drive stalk up or press the brake pedal.
- Non-Adaptive Cruise Control disengages when you apply the [manual trailer brake](#) or if a trailer sway event occurs.



CAUTION

- Non-Adaptive Cruise Control won't maintain an appropriate distance from vehicle ahead of you in the current lane.
- If you are driving downhill while using Non-Adaptive Cruise Control, the vehicle won't maintain the target speed because the system doesn't apply the brakes.

Trailer Brake Gain

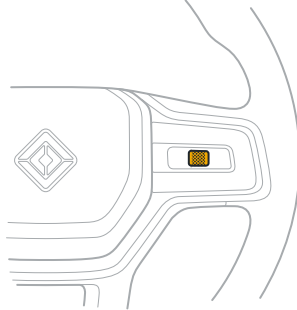
When you connect a trailer that has trailer brakes, you can set the desired trailer brake gain from the Towing Mode controls on the center display. Choose the desired trailer brake gain for your trailer and driving conditions. Test the trailer brakes and adjust the gain if necessary. You can also use the manual trailer brake to check the trailer brake function.

NOTE

Trailer brake gain is only available on trailers with trailer brakes. If you connect a trailer equipped with lights only, the trailer brake gain control is off.

Manual Trailer Brake

If your trailer has trailer brakes, you can manually apply the trailer brake from the steering wheel to allow smooth braking independent of the vehicle brakes. Press and hold the right thumb control to manually apply the trailer brakes.



NOTE

The manual trailer brake only applies the brake to the trailer, not the vehicle.

Trailer Sway Control

The Trailer Sway Control is always on when in Towing Mode. Non-Adaptive Cruise Control disengages when a trailer sway event occurs. Use the manual trailer brake or the vehicle brakes to slow down the vehicle.

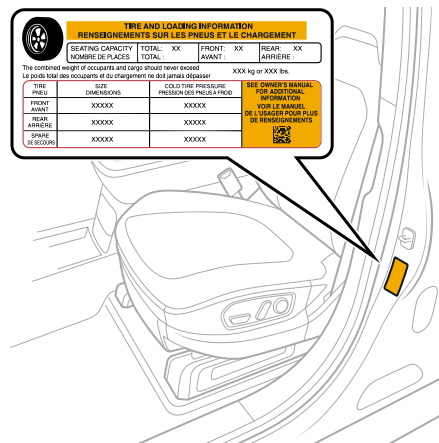
Service and Maintenance

TIRES

Tires and Wheels

TIRE PRESSURE AND TIRE CARE

Check the inflation pressure of the tires, including the spare tire (if equipped), monthly with an accurate tire pressure gauge. The recommended cold inflation pressures are listed on the Tire and Loading Information label on the driver's door pillar.

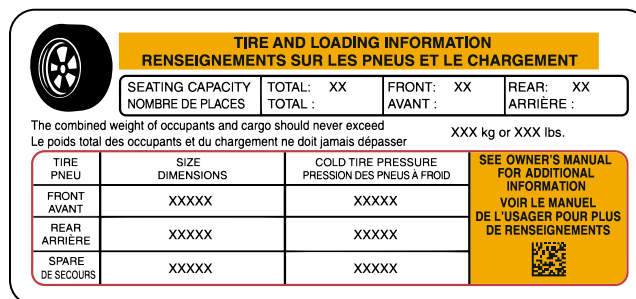


NOTES

- You can use the [air compressor](#) to inflate the tires.
- The tire sealant kit and optional spare tire are in the [spare tire compartment](#) if you need to [seal](#) or [change](#) a flat tire.

LOAD CAPACITY

The Tire and Loading Information label is on the driver's door pillar. The label describes the proper loading for the vehicle with or without a trailer.



STEPS FOR DETERMINING THE CORRECT LOAD LIMIT

1. Locate the statement "The combined weight of occupants and cargo should never exceed XXX kg or XXX lbs" on your vehicle's placard.
2. Determine the combined weight of the driver and passengers that will be riding in your vehicle.
3. Subtract the combined weight of the driver and passengers from XXX kg or XXX lbs.
4. The resulting figure equals the available amount of cargo and luggage load capacity. For example, if the "XXX" amount equals 1,400 lbs and there are five 150 lb passengers in your vehicle , the available cargo and luggage load capacity is 650 lbs. (1400-750 (5 x 150) = 650 lbs.)
5. Determine the combined weight of luggage and cargo being loaded on the vehicle. That weight may not safely exceed the available cargo and luggage load capacity calculated in Step 4.
6. If your vehicle will be towing a trailer, load from your trailer will be transferred to your vehicle. Consult this manual to determine how this reduces the available cargo and luggage load capacity of your vehicle.

NOTES

- Trailer loads are transferred to the vehicle and must be included when calculating cargo capacity.
- The R1T can tow up to 11,000 lbs (4989 kg) using a weight distributing hitch, and up to 5,000 lbs (2267 kg) using a standard hitch. Range is affected by towing. Hauling 11,000 lbs (4989 kg) will significantly reduce range.
- The Gross Vehicle Weight Rating (GVWR) of the R1T is 8,532 lbs (3870 kg).



WARNING

- Don't overload the tires. Overloading can cause tire failure, affect vehicle handling, and increase stopping distance.
- This vehicle is not designed to carry a slide-in camper.

TIRE SEALANT KIT AND SPARE TIRE

Vehicles without an included spare tire or off-road package are equipped with a sealant kit.

Certain vehicles come with either a full-size spare tire or a temporary spare tire, a jack, and other service tools.

Wheel Size	Tire Size
20"	275/65 R20
20" temporary spare (if equipped)	T 195/70 R20
21"	275/55 R21
22"	275/50 R22



DANGER

- The temporary spare must be inflated before you install on the vehicle. Inflate the temporary spare tire to the recommended pressure listed on the Tire and Loading Information label located on the driver's door pillar.
- Do not exceed the maximum speed of 50 mph (80 km/h) on the temporary spare.
- Replace the temporary spare with a full-size tire as soon as possible.

UNIFORM TIRE QUALITY GRADING

Quality grades can be found where applicable on the tire sidewall between tread shoulder and maximum section width. For example: Treadwear 200 Traction AA Temperature A. The U.S. Department of Transportation requires the following information:

Treadwear

The treadwear grade is a comparative rating based on the wear rate of the tire when tested under controlled conditions on a specified government test course. For example, a tire graded 150 would wear under one-and-a-half (1-1/2) times as well on the government course as a tire graded 100. The relative performance of tires depends upon the actual conditions of their use, however, and may depart significantly from the norm due to variations in driving habits, service practices and differences in road characteristics and climate.

Traction – AA, A, B, and C

The traction grades from highest to lowest are AA, A, B, and C and they represent the tire's ability to stop on wet pavement as measured under controlled conditions on specified government test surfaces of asphalt and concrete. Tires marked C may have poor traction performance.



WARNING

The traction grade assigned to this tire is based on braking (straight ahead) traction tests and does not include cornering (turning) traction.

Temperature – A, B, and C

The temperature grades are A (the highest), B, and C, representing the tire's resistance to the generation of heat and its ability to dissipate heat when tested under controlled conditions on a specified indoor laboratory test wheel. Sustained high temperature can cause the material of the tire to degenerate and reduce tire life, and excessive temperature can lead to sudden tire failure.

The grade C corresponds to a level of performance which all passenger car tires must meet under the Federal Motor Vehicle Safety Standard No. 109. Grades A and B represent higher levels of performance on the laboratory test wheel than the minimum required by law.




WARNING

The temperature grade for this tire is established for a tire that is properly inflated and not overloaded. Excessive speed, under-inflation, or excessive loading, either separately or in combination, can cause heat buildup and possible tire failure.

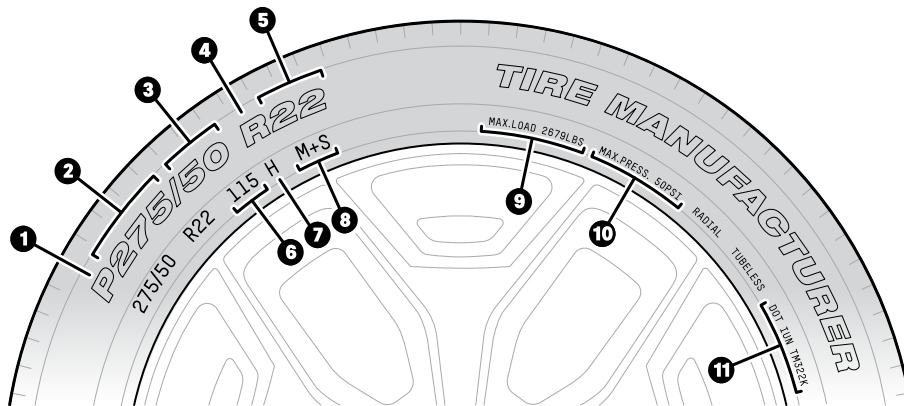
SNOW TRACTION DEVICES

If you drive in a location that requires snow traction devices, refer to the following table for the appropriate snow traction device for your tire size.

Tire Size	Snow Traction Device
20"	<p>Only use government approved textile-based snow traction devices on the 20" tires.</p> <div style="display: flex; align-items: center;">  <div> <p>CAUTION</p> <p>Don't use snow chains or cables on the 20" tires. Metal snow traction devices can damage the vehicle body. Damage caused by snow traction devices is not covered by the New Vehicle Limited Warranty.</p> </div> </div>
21" and 22"	<ul style="list-style-type: none"> • Use low profile (16 mm or smaller) snow cables. • Install the low profile cables on the rear tires. • Ensure the vehicle is in a four-wheel drive mode such as the All-Purpose drive mode.

TIRE MARKINGS

The following image describes tire markings for a typical tire. The positions of the tire markings may vary by tire manufacturer.



Item	Description
1	Passenger tire
2	Nominal width in millimeters, measured from the outer edges of the sidewall.
3	Nominal aspect ratio (%). This describes the height of the tire expressed as a percentage of the tire width.
4	Internal construction. The R indicates a radial ply tire.
5	Rim diameter in inches
6	Load index
7	Speed symbol
8	Mud and snow grading
9	Maximum load rating
10	Maximum permissible inflation pressure
11	U.S. DOT tire identification number

GLOSSARY OF TIRE TERMINOLOGY

Term	Definition
Accessory weight	The combined weight of factory-installed equipment (in excess of standard items which may be replaced).
Bead	The part of the tire next to the rim, constructed of steel wires that are wrapped or reinforced by ply cords.
Bead separation	A breakdown of the bond between bead components.
Bias ply tire	A pneumatic tire constructed of ply cords laid at alternate angles that are substantially less than 90 degrees to the tread centerline.
Carcass	The tire structure, except the tread and sidewall rubber, which bears the load when inflated.
Chunking	The breaking away of pieces of the tread or the sidewall.
Cold tire pressure	The tire pressure when the vehicle has been parked for 3 hours or more, or driven for less than 1 mi (1.6 km).

Term	Definition
Cord	The strands that form the plies in the tire.
Cord separation	The parting of cords between adjacent rubber compounds.
Curb weight	The weight of the vehicle with standard equipment and properly filled fluids.
Groove	The space between two adjacent tire tread ribs.
Inner liner	The layers that form the inside surface of a tubeless tire containing the inflating medium.
Inner liner separation	The parting of the inner liner from the cord material in the tire carcass.
Light truck (LT) tire	A tire that a manufacturer designates for use in lightweight trucks or multipurpose passenger vehicles.
Load rating	The maximum load for a tire at the maximum permissible inflation pressure.
Maximum inflation pressure	The maximum permissible cold tire inflation pressure.
Maximum load rating	The load rating for a tire at the maximum permissible cold tire inflation pressure.
Passenger car tire	A tire intended for use on passenger vehicles and trucks that have a gross vehicle weight rating (GVWR) of less than 10,000 lb (4536 kg).
Ply	A layer of rubber-coated parallel cords.
Ply separation	A parting of the rubber compound between adjacent tire plies.
Pneumatic tire	A mechanical device constructed of rubber, chemicals, fabric, steel, and other materials. When mounted on an automotive wheel, the device provides traction and contains the gas or fluid that sustains the load of the vehicle.
Radial ply tire	A pneumatic tire that contains ply cords that extend to the beads and are laid at alternate angles substantially less than 90 degrees to the tread centerline.
Recommended inflation pressure	The cold tire inflation pressure recommended by Rivian Automotive, LLC. This information is printed on the tire placard on the inside of the door pillar.
Rim	The metal support for a tire assembly where the tire beads are seated.
Section width	The linear distance between the exteriors of the sidewall of an inflated tire. The distance excludes elevations from labeling, decoration, or protective bands.
Sidewall	The section of the tire between the tread and the bead.
Tire placard	The label that is permanently attached to the inside of the door pillar that describes the original equipment tire sizes, recommended inflation pressures, and

Term	Definition
	loading capacity.
Tread	The section of the tire that contacts the road surface.
Treadwear indicators (TWI)	The projections within the tire grooves that are designed to provide a visual indication of the tire tread wear.
Vehicle maximum load on the tire	The load on an individual tire that is determined by distributing the maximum loaded vehicle weight on each axle and dividing by two.

Tire Pressure Monitoring System

The vehicle is equipped with a Tire Pressure Monitoring System (TPMS) with individual tire pressure display. If one of the tires is significantly under-inflated, a low tire pressure indicator appears on the driver display.



Each tire, including the spare (if provided), should be checked monthly when cold and inflated to the inflation pressure recommended by the vehicle manufacturer on the vehicle placard or tire inflation pressure label. (If your vehicle has tires of a different size than the size indicated on the vehicle placard or tire inflation pressure label, you should determine the proper tire inflation pressure for those tires.)

As an added safety feature, your vehicle has been equipped with a Tire Pressure Monitoring System (TPMS) that illuminates a low tire pressure telltale when one or more of your tires is significantly under-inflated.

Accordingly, when the low tire pressure telltale illuminates, you should stop and check your tires as soon as possible, and inflate them to the proper pressure.

Driving on a significantly under-inflated tire causes the tire to overheat and can lead to tire failure. Under-inflation also reduces fuel efficiency and tire tread life, and may affect the vehicle's handling and stopping ability.

NOTE

The TPMS is not a substitute for proper tire maintenance, and it is the driver's responsibility to maintain correct tire pressure, even if under-inflation has not reached the level to trigger illumination of the TPMS low tire pressure telltale.

TPMS MALFUNCTION INDICATOR

Your vehicle has also been equipped with a TPMS malfunction indicator to indicate when the system is not operating properly. The TPMS malfunction indicator is combined with the low tire pressure telltale. When the system detects a malfunction, the telltale will flash for approximately one minute and then remain continuously illuminated. This sequence will continue upon subsequent vehicle start-ups as long as the malfunction exists.

When the malfunction indicator is illuminated, the system may not be able to detect or signal low tire pressure as intended. TPMS malfunctions may occur for a variety of reasons, including the installation of replacement or alternate tires or wheels on the vehicle that prevent the TPMS from functioning properly. Always check the TPMS malfunction telltale after replacing one or more tires or wheels on your vehicle to ensure that the replacement or alternate tires and wheels allow the TPMS to continue to function properly.

TPMS SENSOR AUTOMATIC LEARNING PROCESS

The vehicle is equipped with TPMS sensors in the valve stem of each wheel. When you start driving, the sensors automatically connect to the TPMS module and begin the automatic learning process, which takes less than 10 minutes. After the learning process is complete, the TPMS sensor transmits the pressure values for each of the front and rear tires to the in-vehicle displays.

SPARE TIRE TPMS SENSOR

The full-size spare tire (if equipped) has a TPMS sensor that remains passive until the spare is installed as a driving wheel. After installing the full-size spare tire, you may have to drive for up to 10 minutes to allow the TPMS sensor to complete the automatic learning process.

The compact spare tire (if equipped) doesn't have a TPMS sensor and will not display tire pressure.

NOTES

- Replace the valve stem cap to prevent dirt from entering the valve and damaging the TPMS sensor.
- If the tire is warm, fill the tire to 4 psi (27 kPa) above the recommended cold tire placard pressure because the tire pressure decreases when the tire cools. The low pressure warning is not active if the tire is warm and the pressure is above the cold tire placard pressure value.
- You may have to drive above 18 mph (30 km/h) for up to 10 minutes before the vehicle displays a pressure.



DANGER

An under-inflated tire may fail, causing a sudden loss of vehicle control, which may result in personal injury or death.



CAUTION

- Don't use the Tire Pressure Monitoring System as a pressure gauge for filling the tires.
- The Tire Pressure Monitoring System isn't designed for aftermarket wheels.
- If you replace the tires, use the same size and style as the tires provided by Rivian.

Seal a Flat Tire



WARNING

Never service the vehicle on a narrow shoulder, near oncoming traffic, or on soft terrain.



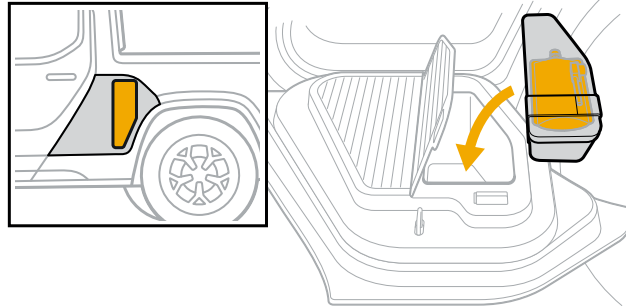
CAUTION

The Rivian-supplied tire sealant kit should only be used for roadside emergencies. After using the tire sealant kit to temporarily fix a flat tire, contact [Rivian Service](#) as soon as possible to repair the tire.

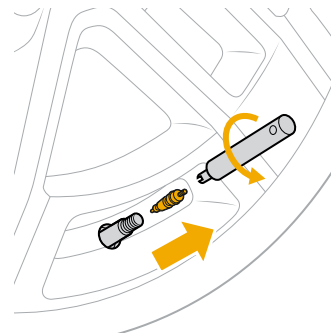
Tire sealant only repairs holes in tire tread. If a hole appears in any other part of the tire or exceeds a 0.25 inch (6 mm) diameter, contact [Rivian Service](#).

Seal a hole in a flat tire using the tire sealant kit by following these steps:

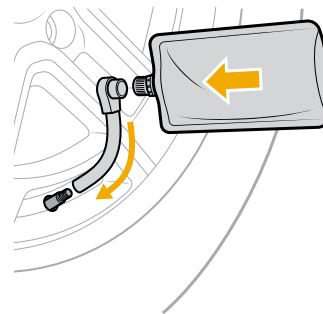
1. Find a safe, level location.
2. Put the vehicle in **Park**.
3. Turn on the hazard lights.
4. Remove the tire sealant kit from the driver-side Gear Tunnel storage compartment.



5. Remove the cap from the tire valve stem and use the included valve core removal tool to remove the valve core from the tire valve stem. Save these parts for re-installation.
6. Allow the tire to fully deflate.



7. Push the tire sealant hose over the tire valve stem.
8. Pull open the cap on the tire sealant pouch and insert the nozzle into the tire sealant hose.
9. Squeeze the entire contents of the tire sealant pouch into the tire.



10. Remove the tire sealant pouch and hose from the valve stem.
11. Re-install the valve core into the valve stem with the included tool.
12. Re-inflate the tire with the [air compressor](#).
13. Install the red valve cap included in the tire sealant kit to identify the repaired tire.
14. Drive for five minutes to distribute sealant throughout the tire. Then check to ensure the tire is properly inflated.

Install the Tire Jack



WARNING

- Don't service the vehicle on a narrow shoulder, near oncoming traffic, or on soft terrain.
- Ensure the surface is flat, firm, and high-friction.
- Don't install the tire jack over a grate or manhole cover.



CAUTION

The Rivian-supplied tire jack should only be used for roadside emergencies to change a flat or damaged tire on a Rivian vehicle. Contact [Rivian Service](#) for other types of repairs.

Use the tire jack to lift the vehicle as follows:

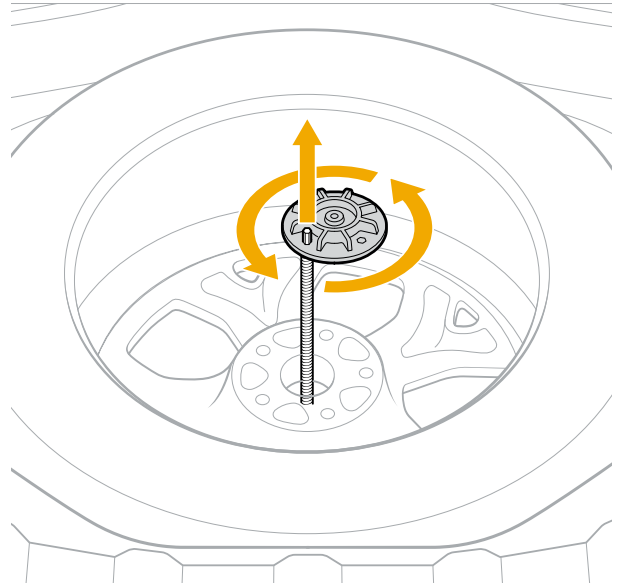
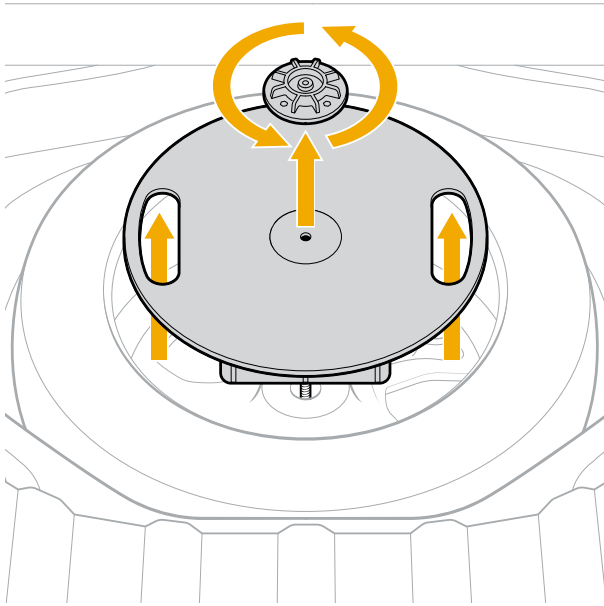
1. Find a safe, level location.
2. Ensure the vehicle is in **Park**.
3. Lower the vehicle to improve access to the spare tire compartment. Go to **Drive Modes**. Choose **Conserve**, and then choose **Lowest** under **Ride Height**.
4. Turn on the hazard lights.
5. Ensure all passengers exit the vehicle and stay in a safe location.
6. Secure the vehicle by placing wheel chocks diagonally opposite the tire to be changed.

NOTE

The electronic park brake is only on the rear wheels. There is an increased risk of rolling when you lift the rear wheels.

7. Access the [spare tire compartment](#) in the truck bed.

8. Remove the tire jack kit from the spare tire.
 - a. Unfasten the spare tire wing nut and remove the tire jack kit.
 - b. Use the hex hole on the spare tire wing nut to unscrew and remove the jack kit retention rod.



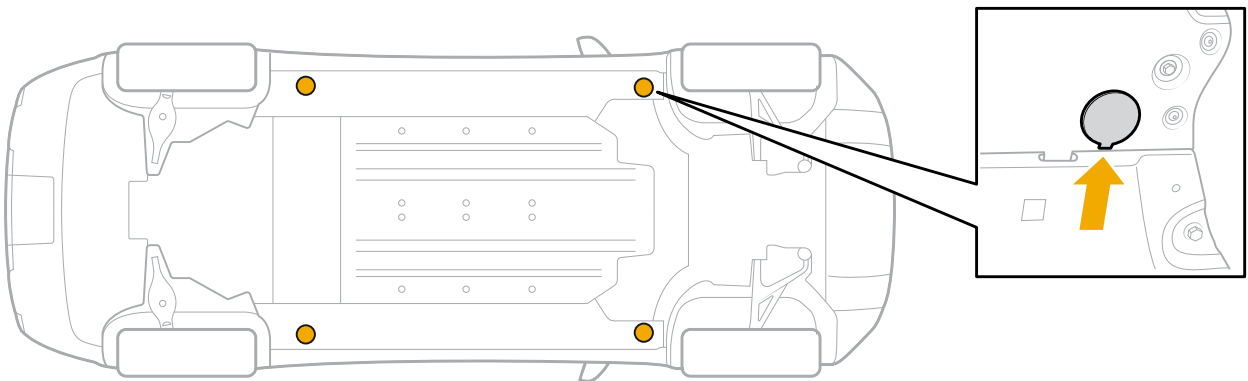
- c. Save the wing nut and retention rod for reinstallation.

9. Remove the spare tire.
10. Inflate the tire to the recommended pressure with the [air compressor](#).
11. Go to **Drive Modes** in the center display. Choose **Off-Road Auto**. Then choose **Highest** under **Ride Height**.
12. Go to **Settings**. Choose **Vehicle**. Then choose **Service**. Turn on **Tire Change** mode.

NOTE

Automatic suspension adjustments will pause with **Tire Change** mode on. You also can't adjust ride height with **Tire Change** mode on.

13. Locate the vehicle jack point. There are two jack points on each side under the rocker panel.

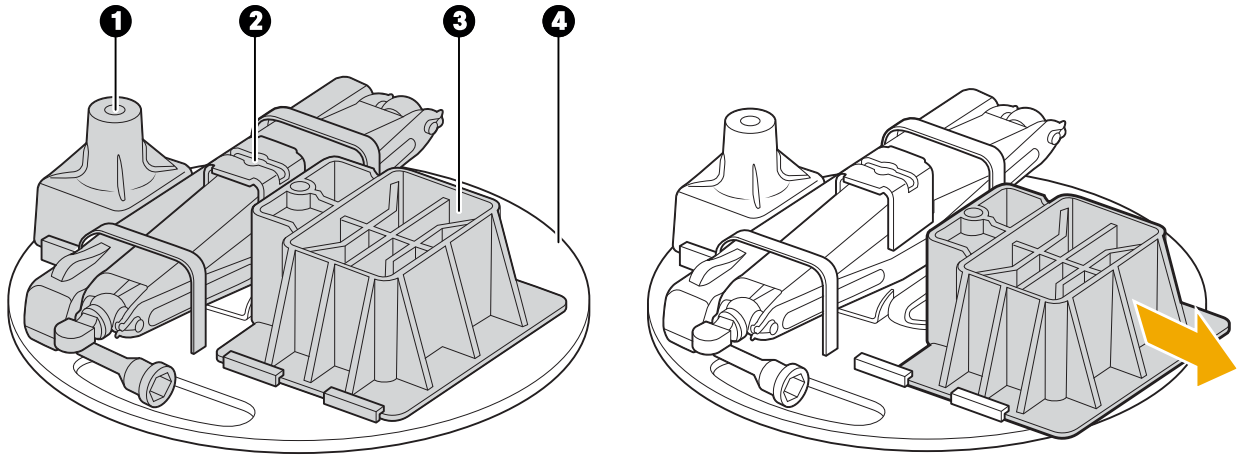


14. Remove the jack point cover by applying force to the inner edge.

- If replacing a rear tire, slide the jack riser base (3) out of the storage disc (4) included in the tire jack kit. Then place the jack on top of the riser base.

NOTE

If replacing a front tire, don't use the riser base.



Item	Description
1	Jack adapter
2	Tire jack
3	Jack riser base
4	Storage disc



CAUTION

Always use the jack adapter to prevent damage to the vehicle when lifting with the Rivian-supplied tire jack.

Don't use the jack adapter with other scissor or hydraulic jacks.

- Align the top of the jack adapter (1) with the hole at the vehicle jack point.
- Place the tire jack (2) under the jack adapter.

NOTE

Don't place the storage disc under the tire jack.

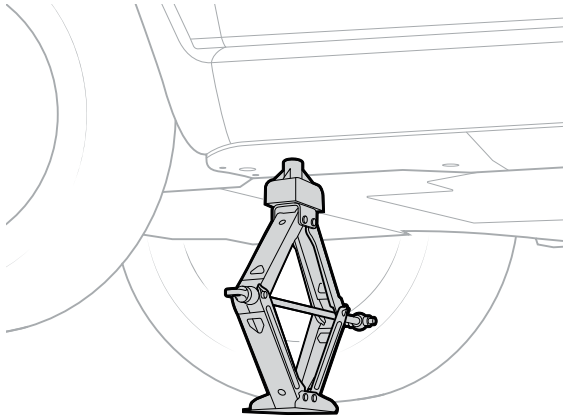
18. Raise the jack slightly to ensure that it's straight and the top of the jack aligns with the jack adapter.

NOTES

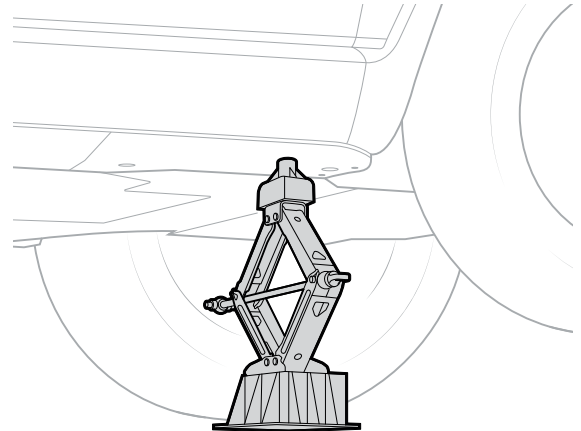
Use the tools provided with the tire jack kit to raise the jack. You don't need to use the extenders.

If the jack begins to tilt, lower the jack. Reposition the jack rearward approximately 2 in (5 cm) and try again.

Front



Rear



Change a Tire

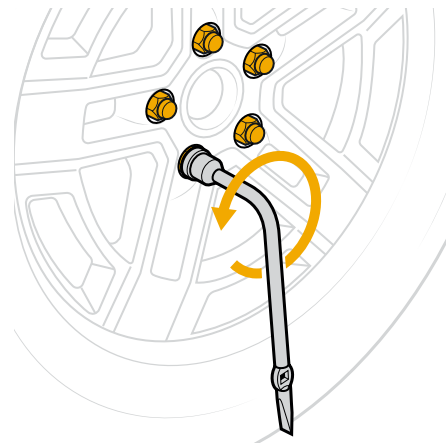


DANGER

Don't place any part of your body under the vehicle while it's lifted.

Lift and remove the wheel as follows:

1. [Install the tire jack](#) in the jack point and turn on Tire Change mode.
2. Raise the jack to lift the vehicle slightly, keeping the tire on the ground.
3. Loosen the lug nuts counter clockwise 1/2 turn with a lug wrench.



3. Raise the jack to lift the vehicle so the tire doesn't touch the ground.
4. Fully loosen and remove the lug nuts.
5. Remove the wheel from the vehicle by gripping the tread of the tire and pulling it straight out.

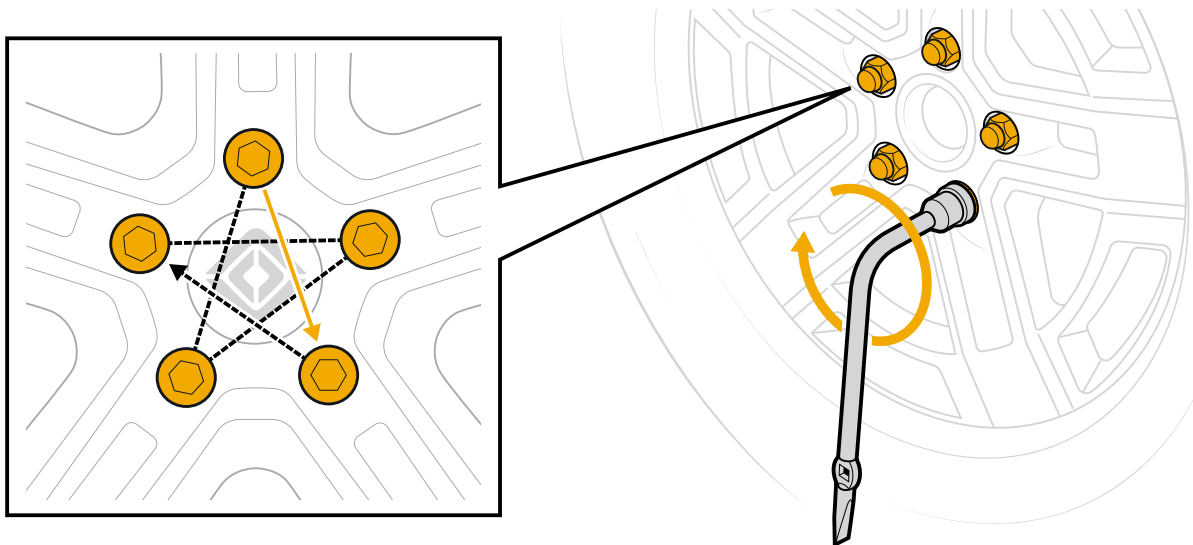
Install the new or spare tire as follows:

1. Lift the wheel and align the wheel studs with the holes in the rim.
2. Push the wheel onto the hub.

NOTE

Ensure the wheel is fully seated to the hub.

3. Reinstall the lug nuts and tighten them by hand.
4. Lower the jack until the tire touches the ground but doesn't carry the full weight of the vehicle.
5. Torque the lug nuts in an alternating star pattern to 190 N•m. If you don't have a torque tool, tighten until the lug nuts cannot be turned further.



6. Lower the jack until the full weight of the vehicle rests on the tires.
7. Remove the jack, jack riser base (if used), and wheel chocks (if used).
8. Go to **Settings** in the center display. Choose **Vehicle**. Then choose **Service**. Turn off **Tire Change** mode.
9. Lower the vehicle to improve access to the spare tire compartment. Go to **Drive Modes**. Choose **Conserve**, and then choose **Lowest** under **Ride Height**.
10. Store the removed wheel and the jack kit in the spare tire compartment in the truck bed.
 - a. Place the wheel with the outside of the rim facedown.
 - b. Reinstall the jack kit retention rod.
 - c. Replace the jack kit and secure it with the spare tire wing nut.
11. Choose your previous drive mode and ride height.
12. Repair or replace the removed tire once you've reached your destination.

Lift the Vehicle

Before you lift the vehicle, you must remove the underbody panels if you don't have a Rivian-supplied tire jack or if you need to lift more than one tire.



CAUTION

Don't place a jack directly on the underbody panels or the vehicle battery.

PREPARE TO LIFT THE VEHICLE

1. Ensure the vehicle is in **Park**.
2. If you're lifting one tire, secure the vehicle by placing wheel chocks diagonally opposite the tire to be changed.

NOTE

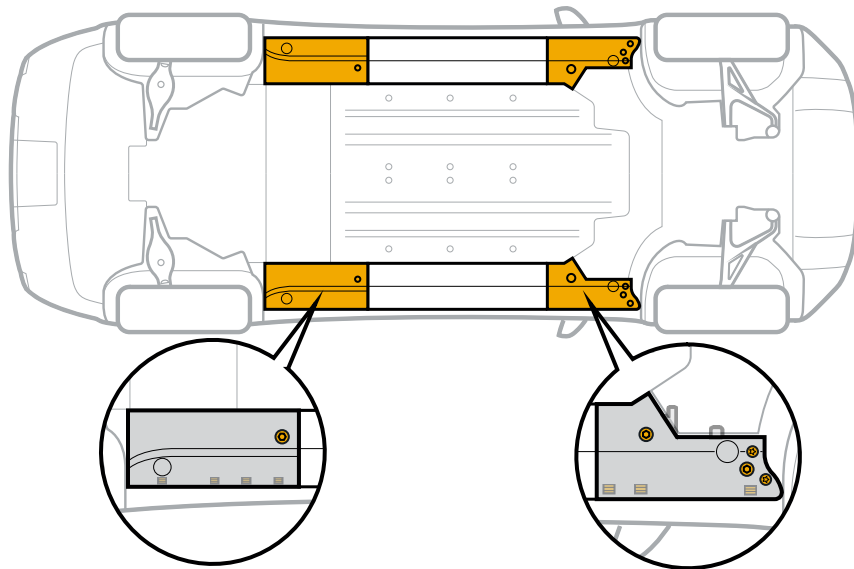
The electronic park brake is only on the rear wheels. There is an increased risk of rolling when you lift the rear wheels.

3. Go to **Drive Modes** in the center display. Choose **Off-Road**. Then choose **Max** under **Ride Height**.
4. Go to **Settings**. Choose **Vehicle**. Then choose **Service**. Turn on **Tire Change** mode.

NOTE

Automatic suspension adjustments will pause with **Tire Change** mode on. You also can't adjust ride height with **Tire Change** mode on.

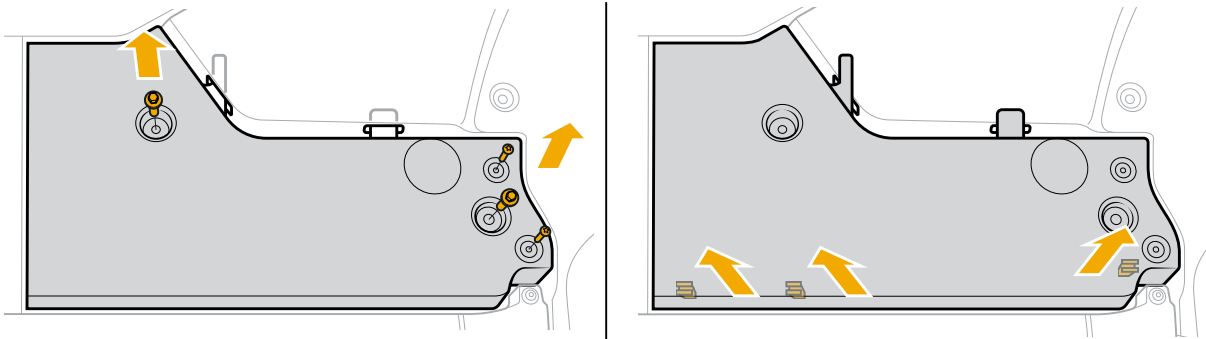
5. Remove the underbody panels to access the frame rails. See [Remove the Front Panels](#) and [Remove the Rear Panels](#).



REMOVE THE FRONT PANELS

1. Remove the four bolts on the front panel.
 - a. Use a T20 Torx screwdriver to remove the two small bolts.
 - b. Use a 10 mm socket to remove the two large bolts.
 - c. Save the bolts for reinstallation.

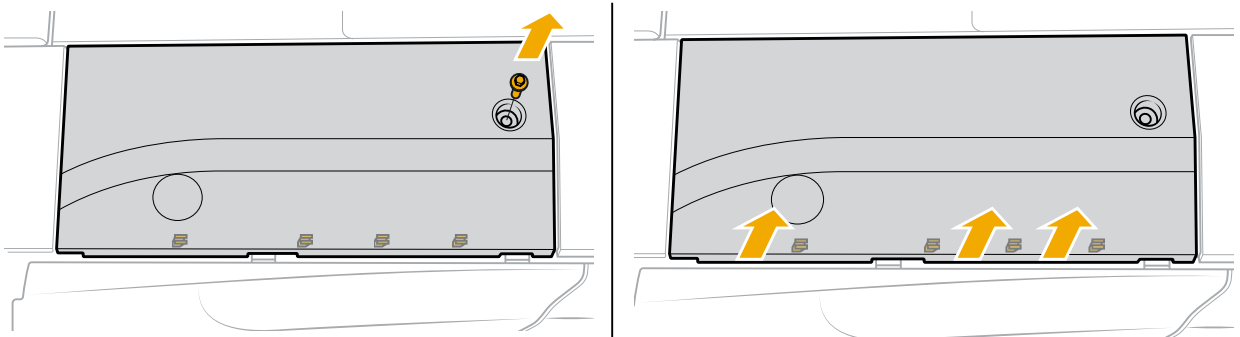
- Grab the outer edge of the panel and pull down gently to release the clips.



- Pull down further to remove the panel from the double-sided tape. Save the panel for reinstallation.
- Repeat for the other front panel as needed.

REMOVE THE REAR PANELS

- Use a 10 mm socket to remove one bolt from the rear panel. Save the bolt for reinstallation.
- Grab the outer edge of the panel and pull down gently to release the clips.



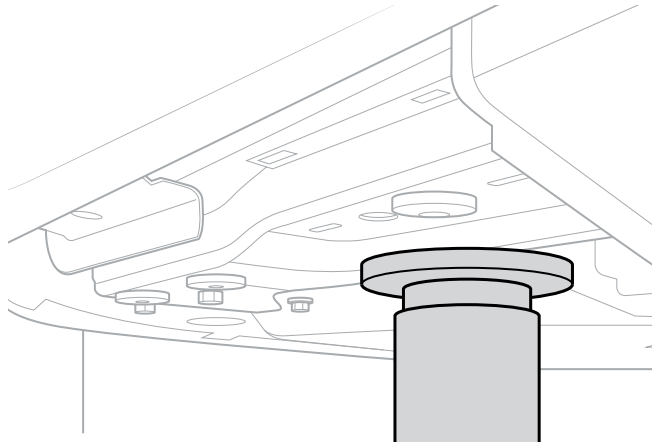
- Pull down further to remove the panel from the double-sided tape. Save the panel for reinstallation.
- Repeat for the other rear panel as needed.

JACK AND LIFT THE VEHICLE

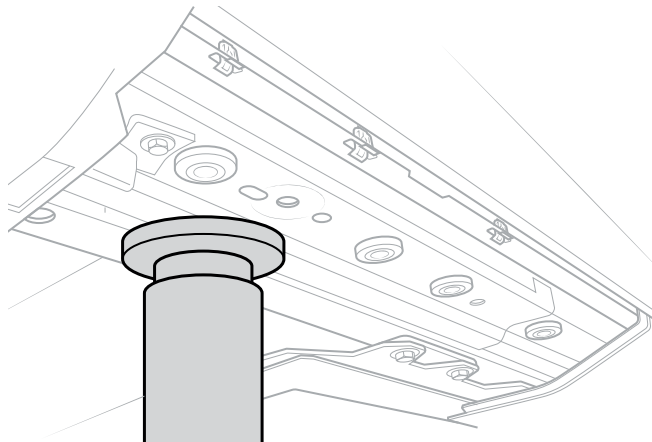
- Use a jack that is rated to lift at least 3 tons with 23 in (59 cm) of range.
- Use a rubber pad to protect the underbody finish.

3. Place the jack under the lift point on the frame rail.

Front



Rear



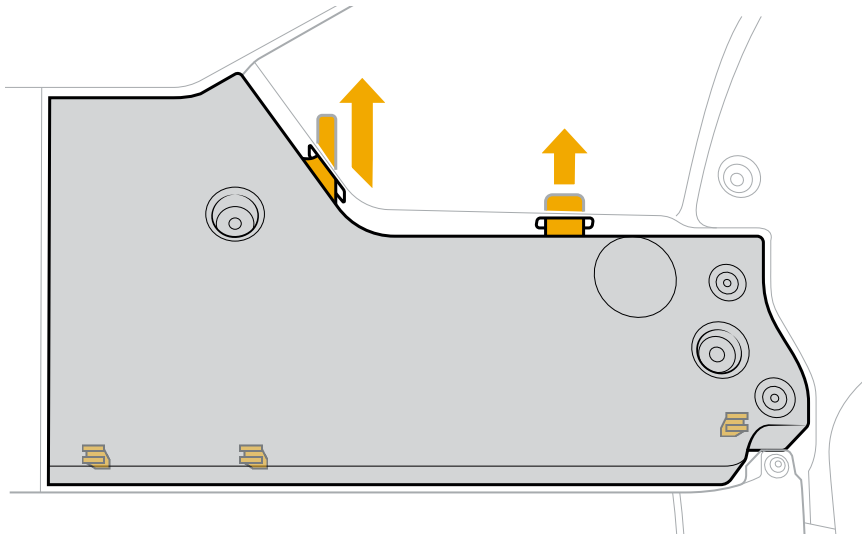
DANGER

Don't place any part of your body under the vehicle while it's lifted.

4. Follow the instructions included with the jack to raise and lower the vehicle.

REINSTALL THE PANELS

1. Clean the frame rail surface with an alcohol swab or wipe to ensure the double-sided tape will adhere.
2. Reinstall the panels.
 - a. Align the tabs on the panel to the slots on the vehicle.



- b. Secure the clips on the panel.

NOTE

If any clips are broken, contact [Rivian Service](#) to replace the panel. Secure the panel with the remaining clips and the bolts until a replacement is available.

- c. Reinstall the large and small bolts on each front panel.
 - d. Reinstall the bolt on each rear panel.
3. Go to **Settings**. Choose **Vehicle**. Then choose **Service**. Turn off **Tire Change** mode.
 4. Choose your previous drive mode and ride height.

ROUTINE MAINTENANCE

Wiper Blades

To access the wiper blades, activate Wiper Service Mode as follows.

1. Navigate to the Mirrors and Wipers settings from the center display.
2. Enable Wiper Service Mode from the center display to move the wipers out of the wiper park position.
3. Remove and replace the wiper blades and set the new blade on the windshield.
4. Disable Wiper Service Mode from the center display to return the wipers to the wiper park position.

Windshield Washer Fluid

SEASONALITY AND TEMPERATURE RATING

When refilling windshield washer fluid, use fluid rated for the season and temperature range where the vehicle will be located. Ensure that you dilute concentrated formulas. Always refer to the temperature rating and instructions on the fluid bottle before you purchase or use windshield washer fluid.

IMPORTANT

Windshield washer fluid ratings vary: Cold weather-rated fluid performs best in colder temperatures, but is unnecessary in milder temperatures.

Windshield washer fluid rated for milder temperatures typically contains much lower levels of volatile organic compounds (VOCs). VOCs contribute to ozone levels and smog, particularly when VOCs evaporate in warmer temperatures. Using cold weather-rated fluid when the temperature is warmer can release higher levels of VOCs into the air. You can avoid releasing excess VOCs if you use fluid rated for your current season and temperature.

REFILL WINDSHIELD WASHER FLUID



DANGER

Concentrated windshield washer fluid is highly flammable and may ignite if exposed to heat. Don't pour or spill concentrated windshield washer fluid onto hot vehicle components or otherwise heat concentrated fluid.



WARNING

After driving, vehicle components may be hot. Before touching any area of the vehicle, ensure the area is cool to the touch. Don't pour any fluid into a hot area of the vehicle.

IMPORTANT

Some windshield washer fluid must be diluted. Follow the manufacturer's instructions on the bottle.

Dilute the fluid in a separate container. Don't attempt to dilute fluid inside the vehicle reservoir.

Refill the windshield washer fluid when it gets low.

1. Park the vehicle on a level surface. Ensure the vehicle is off.
2. Open the hood. Locate the reservoir cap.
3. Pry up the cap to access the opening.
4. Pour in windshield wiper fluid until the foam float rises up or you see the reservoir is full.
5. Replace the cap and press firmly to secure.

CLEANING

Interior Cleaning



CAUTION

- Don't use bleach, ammonia, or any other harsh cleaners. These products can cause damage to the vehicle interior.
- Don't use cleaners, sealants, or conditioners that contain wax or petroleum.
- While cleaning beneath the front passenger seat, don't remove the cover from the AC/DC inverter. The cover protects the inverter from contamination, such as accidental spills.

To maintain the interior of your vehicle, clean it periodically, as needed.

- Remove trash and debris.
- Remove the floor mats and vacuum the floors and seats.
- Vacuum the floor mats and return to the vehicle.
- Wipe the seats, interior surfaces, and speaker grills with a damp cloth.

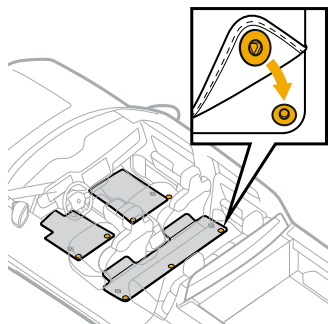
NOTE

So as not to soak seats with liquid, lightly dampen the cloth with water or a cleaner developed for the seat material. Don't spray cleaner or pour liquid directly onto the seats, and don't soak the cloth with cleaning solution.

- Wipe the rearview mirror and driver, center, and rear displays with a dry microfiber cloth.
- Clean the interior windows and windshield with a microfiber cloth dampened with an ammonia-free window cleaner. For tinted windows, make sure the cleaner is safe to use on them.

All-Weather Floor Mats

Floor mats are attached to the floor with push tabs. Front mats have one push tab at each bottom corner. Rear mats have three push tabs along the side.



REMOVE THE FLOOR MATS

1. Pull up firmly on a section of the floor mat close to a push tab.
2. Remove one push tab at a time.

ATTACH THE FLOOR MATS

1. Align the floor mats with the push tabs on the floor. Ensure that the push tabs are above the corresponding tabs.
2. Press firmly to click the push tabs into place one at a time.



WARNING

Ensure that the floor mats are secured properly to the floor. This prevents the floor mats from sliding out of place or the corners from lifting while driving.

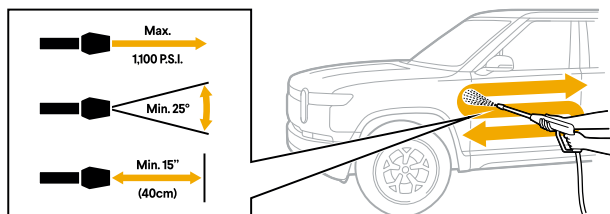
CLEAN THE FLOOR MATS

Shake or vacuum the floor mats to remove any debris. Floor mats can be washed with water and common cleaning solutions such as mild soap or carpet stain remover.

Exterior Cleaning

WASHING

To maintain the paint and coating on your vehicle, wash it before excessive dirt buildup. Check that all windows are rolled up and doors are closed and locked. Avoid using hot water, and don't wash the vehicle in direct sunlight.



DANGER

- Before washing, ensure that the vehicle is not currently charging, and that the charge port cover is closed. Washing during charging is an electrocution risk, which can lead to injuries, and vehicle and property damage.
- Avoid spraying water at any electronics or exposed cabling.

Hand Wash

NOTE

You may have configured your User Profile setting that's linked to the Rivian mobile app. Turn off *Bluetooth*® on your phone to prevent the handles and charge port door from potentially opening mid-wash.

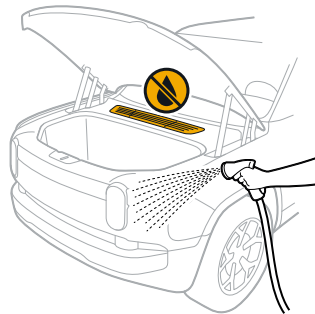
You can use a hose or a standard pressure washer with a maximum of 1100 psi and a minimum of 25-degree nozzle spray to wash the vehicle. Keep at least 15 in (40 cm) away from the vehicle. Use a side-to-side sweeping motion to avoid prolonged concentrated pressure to a single area.

1. Rinse the vehicle thoroughly with a hose to wash away dirt and debris.
2. Remove leaves and other obstructions from the air intake cover to keep the heating and air conditioning systems running efficiently. The air intake cover looks like vents, and you can find it under the hood near the front windshield. You can occasionally remove the air intake cover to wash it more thoroughly with a hose and sponge.



CAUTION

- When the front trunk is open, don't direct a pressure washer or hose with a high water flow rate to the air intake cover. This may lead to degraded performance of the climate system. The durability of the air filter located below the air intake cover will also be impacted if it becomes repeatedly saturated with water.
- The front trunk can be vacuum-cleaned or scrubbed with a soft, damp cloth.



3. Use only detergent formulated for washing cars and a soft sponge to gently scrub away surface stains.
4. Soap and rinse sections of the vehicle at a time to prevent dry soap scum from forming.
5. To prevent corrosion, flush the vehicle's underbody, fenders, brakes, and wheel wells with water to remove road buildup.

NOTE

Underbody washing is especially effective right after an off-road adventure through sand, salt, mud, or de-icer.

6. Dry the vehicle with a chamois or soft cloth.
7. Clean the windows and mirrors with a glass cleaner and soft cloth.
8. You can optionally take the car for a drive around the block and apply the brakes in a normal fashion to properly dry them out after a wash.

Commercial Car Wash

You can use standard car wash services to clean the vehicle. Ensure that you observe any rules posted by the car wash, and that the vehicle's windows are fully up and side mirrors are folded in before entering the car wash.

Ensure that the vehicle is locked to prevent the charge port door from opening.

- For car washes where you're required to drive on a rail, put the vehicle in [Neutral](#).
- For "touchless" car washes where you're not required to drive on a rail, put the vehicle in [Hold](#).

WAXING

While exterior coatings such as wax or ceramic aren't required, you can occasionally apply additional exterior coating to further protect the paint and prolong the new look of your vehicle. This will also allow for easier maintenance washing. Always apply exterior coatings when the vehicle is clean, dry, and cool. Never apply in direct sunlight.

COLD WEATHER CARE

If your vehicle is iced over, use only the [climate control system](#) such as heat and [defrost](#) to thaw surfaces.



CAUTION

- Don't pour hot water onto any glass surface to thaw the glass. This may cause the glass to crack.
- Don't use an ice scraper on plastic parts on the vehicle's exterior, such as the air intake cover and the trim near the windshield wipers. This may scratch or damage the plastic and nearby fixtures.

Troubleshooting and Help

TROUBLESHOOTING

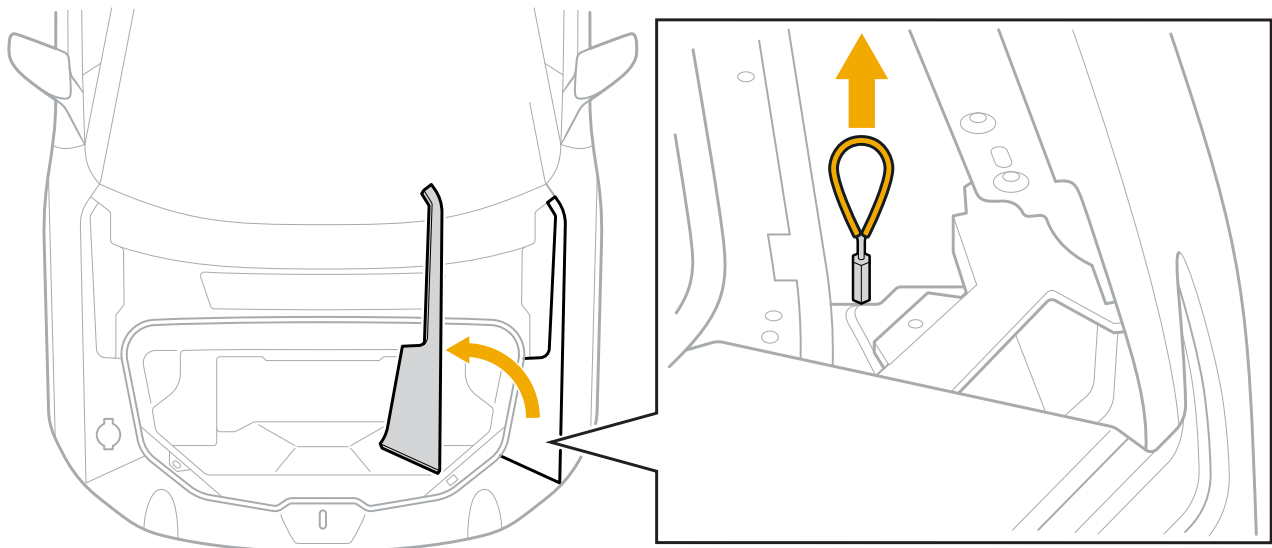
Manually Release the Charge Plug

If the charge plug won't release from the charge port, you can manually release it.

NOTES

- Always stop a charge session before you unplug from a DC fast charger. Go to **Energy** in the center display, and then choose **Stop Charging**.
- Ensure the vehicle is unlocked before you unplug from an AC charger.

1. Open the vehicle hood.
2. Remove the trim panel from the driver side of the vehicle. Pull up gently to release the clips.
3. Gently pull the cable to release the charge plug.
4. Remove the charge plug from the charge port.
5. Replace the trim panel and secure the clips.
6. Close the hood.



Jump Start the 12 V Batteries

The vehicle has two 12 V batteries under the hood. Signs of discharged 12 V batteries include the following:

- The doors and storage areas don't unlock.
- The vehicle doesn't respond to the key fob.
- The lighting doesn't illuminate.

- The displays don't turn on.

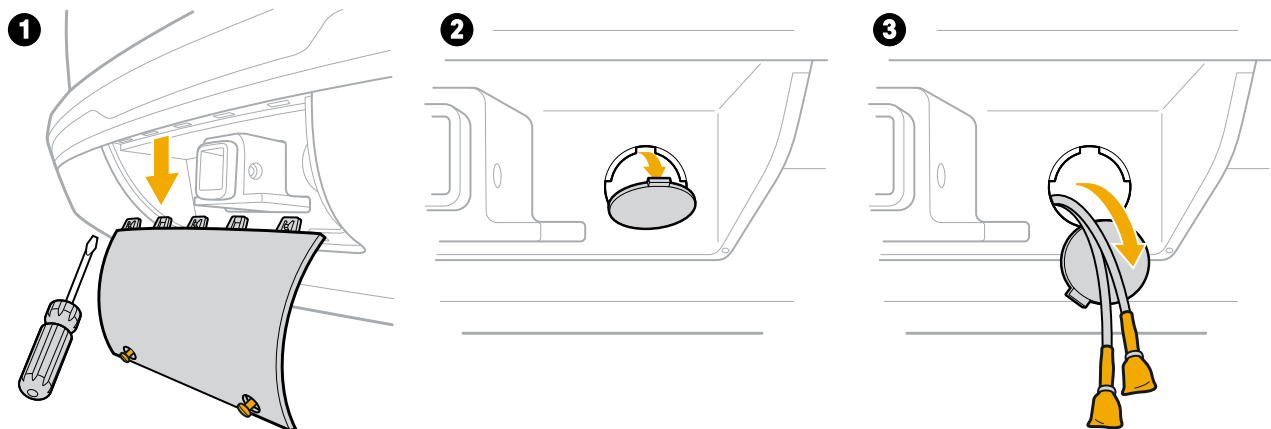


CAUTION

Don't use a Rivian vehicle to jump start another vehicle.

Before you begin, ensure that you have an adequate power source to jump start a Rivian vehicle.

- If using a tow truck to jump start, the tow truck needs to be running until the Rivian vehicle powers up.
- If using a jump box, it needs to maintain a steady voltage of 12.5 V at 15 A (30 A peak).



1. Remove the trailer hitch cover to access the jump start wire harness.
2. Remove the round access panel to the right of the trailer hitch.
3. Pull out the jump start wire harness and remove the protective tape from the connectors.
4. Connect the positive lead (red) to the red lead on the jump start wire harness and negative lead (black) to the black lead on the jump start wire harness.

Once the vehicle has enough power, the displays will turn on. You can unlock the doors, front trunk, and charge port door. When the vehicle fully powers on, you can drive if the vehicle battery has enough range.

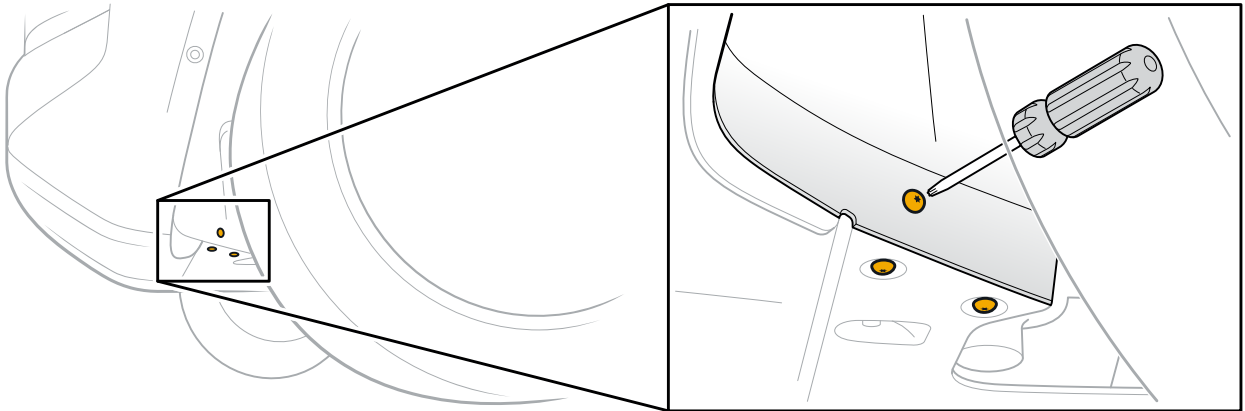
NOTES

- You may need to [restart the vehicle](#) after it powers on.
- If the vehicle battery has drained completely, you may need to [transport the vehicle](#) to a Rivian Service Center.

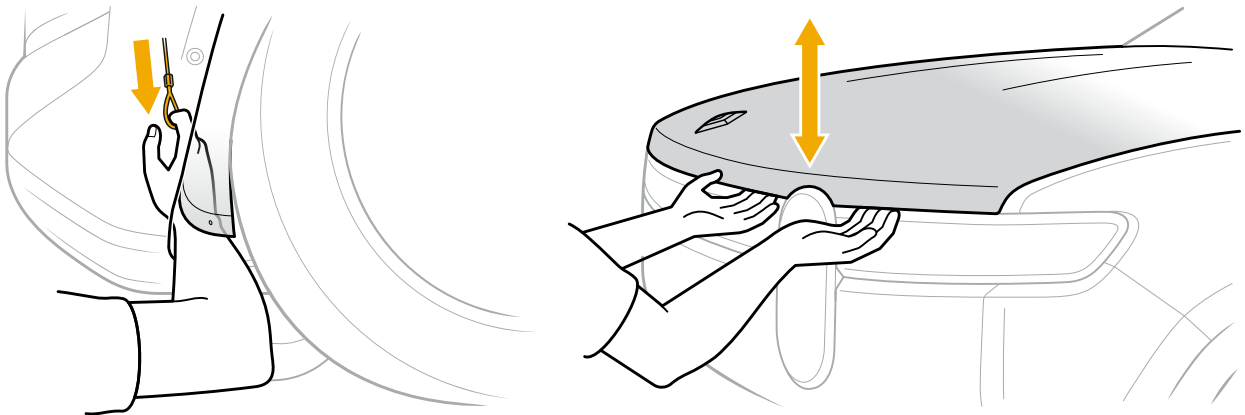
Manually Open the Hood

Follow these steps if the hood won't open normally:

1. Remove the screws from the left front wheel liner and lower the front skid plate to access the hood release cable.



2. Pull the cable to release the hood latch. If the latch doesn't release, have a second person lift up and push down on the hood while you pull on the cable.



Overheating

Extreme hot weather may cause overheating of the vehicle battery or powertrain components.

If your vehicle overheats, follow the instructions on the vehicle display.

Perform a Restart

RESTART THE SOFTWARE

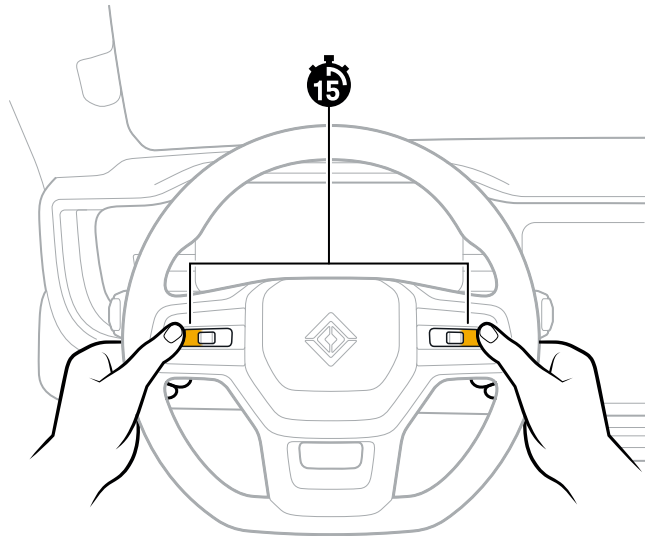
If the vehicle apps, connectivity, or displays are not working normally, you may need to restart the software.

1. Ensure the vehicle is in **Park**.
2. Find the two outermost control buttons on the steering wheel.

3. Press both buttons at the same time and hold for 15 seconds.

NOTE

The displays will go dark for about one minute until the restart is complete.



RESTART THE VEHICLE



CAUTION

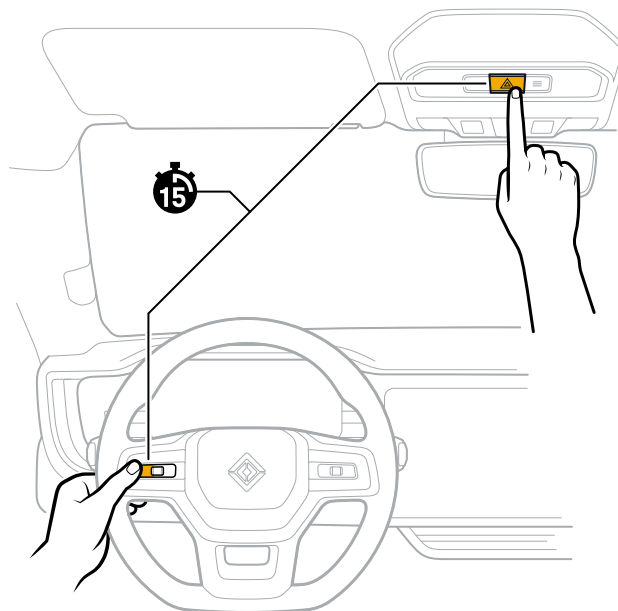
Contact [Rivian Service](#) before you restart the vehicle.

If the vehicle is not working normally after you restart the software, you may need to restart the vehicle.

1. Ensure the vehicle is in **Park** and not plugged in.
2. Find the left thumb control button on the steering wheel and the hazard lights button on the overhead console.
3. Press both buttons at the same time and hold for 15 seconds.

NOTE

The displays will go dark, and then a progress bar will indicate when the restart is complete.



System Failures

Contact [Rivian Service](#) to have the vehicle inspected if you notice any electrical, battery, or high-voltage issues. See [Status Indicators](#) for a list of potential issues.

Reporting Safety Defects in the United States

If you believe that your vehicle has a defect which could cause a crash or could cause injury or death, you should immediately inform the National Highway Traffic Safety Administration (NHTSA) in addition to notifying Rivian.

If NHTSA receives similar complaints, it may open an investigation, and if it finds that a safety defect exists in a group of vehicles, it may order a recall and remedy campaign. However, NHTSA cannot become involved in individual problems between you, your dealer, or Rivian.

CONTACT NATIONAL HIGHWAY TRAFFIC SAFETY ADMINISTRATION (NHTSA)

Call (toll-free)

Vehicle Safety Hotline (toll-free)

[\(888\) 327-4236](tel:(888)327-4236)

TTY

[\(800\) 424-9153](tel:(800)424-9153)

Write

Administrator
NHTSA
400 Seventh Street, SW
Washington, DC 20590



Website

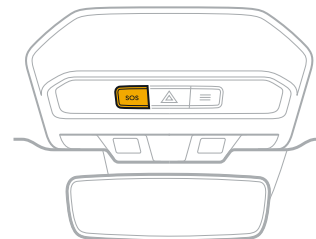
You can also obtain other information about motor vehicle safety from this website:

<http://www.safercar.gov>

ROADSIDE ASSISTANCE

SOS

The **SOS** button  is located on the overhead console. Press the **SOS** button  to reach a 24/7 national call center that will assess the situation, route your call appropriately, and dispatch help if necessary. The call center professional will call for assistance from first responders if needed when there's an emergency, such as after an accident.



First responders include police, firefighters, and medical personnel.

If the vehicle detects that a significant collision has occurred, it will automatically initiate an SOS call.



The audio system will suppress background noise so you can focus on the call. Your current location is displayed on the center display while the call is in progress in case the call center operator can't locate your vehicle and you need to communicate this information.

For more information on what data may be collected from you and your vehicle during an SOS call, see [Privacy and User Data](#).


As long as you're in a cellular coverage area, the SOS feature will work, even if you don't have your phone with you.

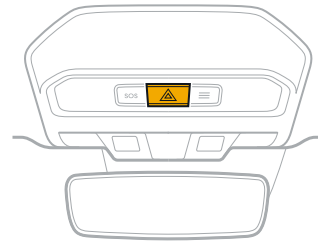
If you need assistance but don't need help from first responders, such as if your vehicle breaks down or you need to be towed, you can contact [Rivian Roadside Assistance](#).

NOTES

- If the emergency call center can't be reached, press the **SOS** button  to try the call again.
- If you are in the middle of a phone call, the SOS call will end the phone call.
- If SOS is accidentally triggered, you can cancel the call on the center display within 7 seconds of initiating the call.
- The **SOS** button  doesn't work if you're driving outside the United States or Canada.

HAZARD LIGHTS

In the event of an emergency or malfunction, press the **Hazard Lights** button  on the overhead console to turn on the hazard lights and alert surrounding vehicles.



Transport the Vehicle



CAUTION

Only transport Rivian vehicles on a flatbed tow truck. To prevent damage, don't tow the vehicle behind another vehicle or with two wheels on the ground.

PREPARE THE VEHICLE FOR TOWING

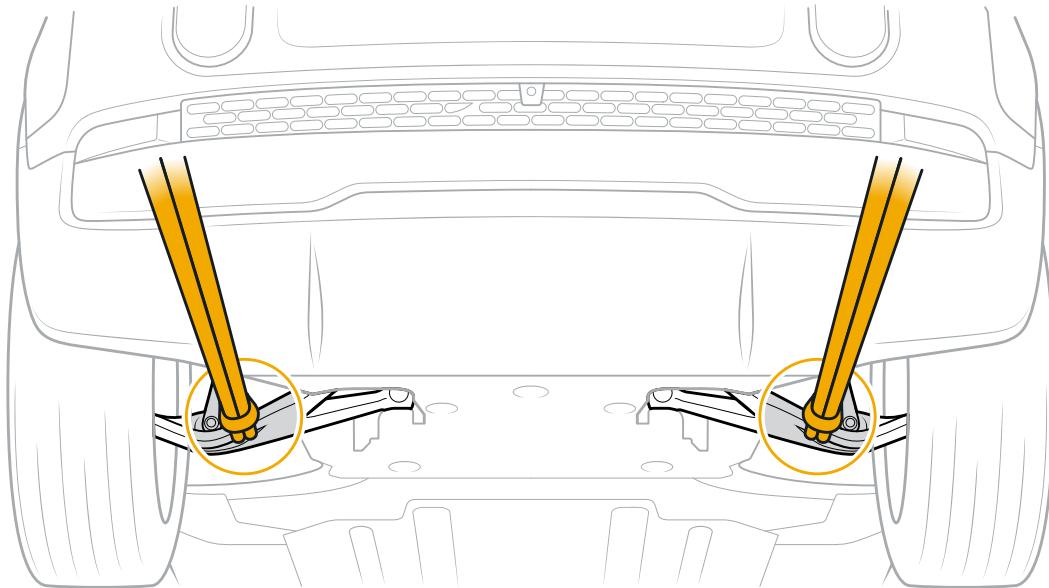
1. Ensure the front wheels face forward and are parallel with the vehicle.
2. Secure the steering wheel with a holder or strap to keep the wheels straight.



CAUTION

To prevent damage, don't use J-hooks to connect to any suspension components.

3. Connect the front of the vehicle to the tow truck winch with a nylon bridle or short endless loops through the lower control arms.



NOTE

If you can't tow from the front of the vehicle, you can [connect to the trailer hitch](#) to tow from the rear.

4. Press and hold the brake pedal.
5. Go to **Settings** on the center display.
6. Choose **Vehicle**. Then choose **Service**. Turn on **Park brake release**.

NOTE

The park brake release will turn off after 15 minutes. You can also turn it off by putting the vehicle in **Park** or turning off **Park brake release** in the center display.

7. Release the brake pedal and confirm release of the electronic park brake.

You can now [load the vehicle](#) onto the tow truck.

NOTE

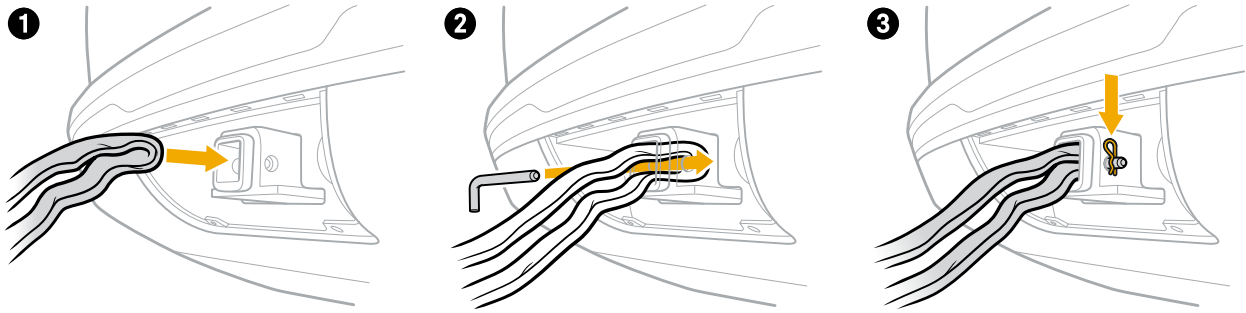
If you can't release the electronic park brake, you need to [lift the rear wheels](#) to load the vehicle onto the tow truck.

CONNECT TO THE TRAILER HITCH

Connect to the trailer hitch when you can't tow from the front of the vehicle.

1. Ensure the front wheels face forward and are parallel with the vehicle.
2. Secure the steering wheel with a holder or strap to keep the wheels straight.
3. Remove the trailer hitch cover.
 - a. Use a flathead screwdriver to loosen the two captive screws. Turn a quarter turn counterclockwise.
 - b. Grip the cover and pull straight down.

4. Insert a nylon bridle or short endless loops through the trailer hitch (1).



5. Insert the tow pin through the hitch to connect the bridle or loops (2), and then install the tow pin retaining clip (3).
6. Press and hold the brake pedal.
7. Go to **Settings** on the center display.
8. Choose **Vehicle**. Then choose **Service**. Turn on **Park brake release**.

NOTE

The park brake release will turn off after 15 minutes. You can also turn it off by putting the vehicle in **Park** or turning off **Park brake release** in the center display.

9. Release the brake pedal and confirm release of the electronic park brake.

You can now [load the vehicle](#) onto the tow truck.

NOTE

If you can't release the electronic park brake, you need to [lift the rear wheels](#) to load the vehicle onto the tow truck.

LIFT THE REAR WHEELS

If the battery is dead or you can't release the electronic park brake, you can load the vehicle onto the tow truck by lifting the rear wheels.



DANGER

Secure the vehicle and connect to the tow truck before lifting the rear wheels. The front wheels can roll when the rear wheels are lifted.

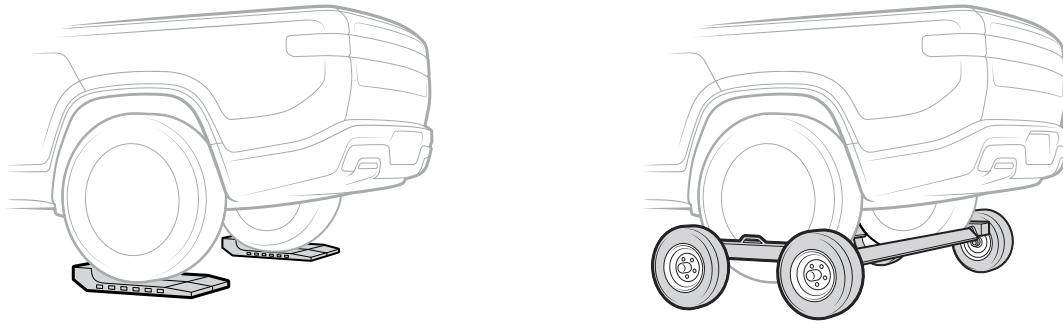


CAUTION

Only lift the rear wheels to load the vehicle onto the tow truck. Don't tow the vehicle behind another vehicle or with two wheels on the ground.

1. Chock the front wheels to secure the vehicle.
2. Connect the vehicle to the tow truck using an endless loop through the front control arms or rear trailer hitch.

3. Lift the rear wheels using skates, a dolly, or a tow truck wheel lift.



4. With the rear wheels off the ground, position the vehicle for loading onto the tow truck bed.
You can now [load the vehicle](#) onto the tow truck.

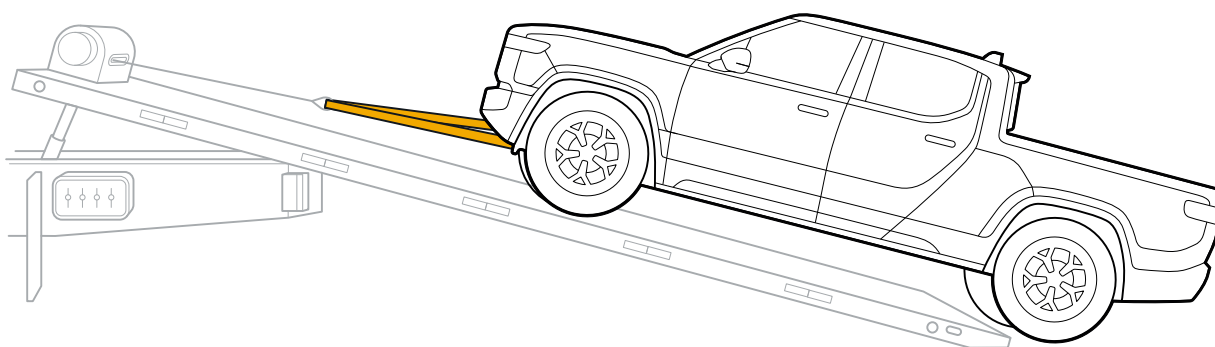
LOAD THE VEHICLE ONTO THE TOW TRUCK

After you've connected the vehicle, you can load the vehicle onto a flatbed tow truck as follows:

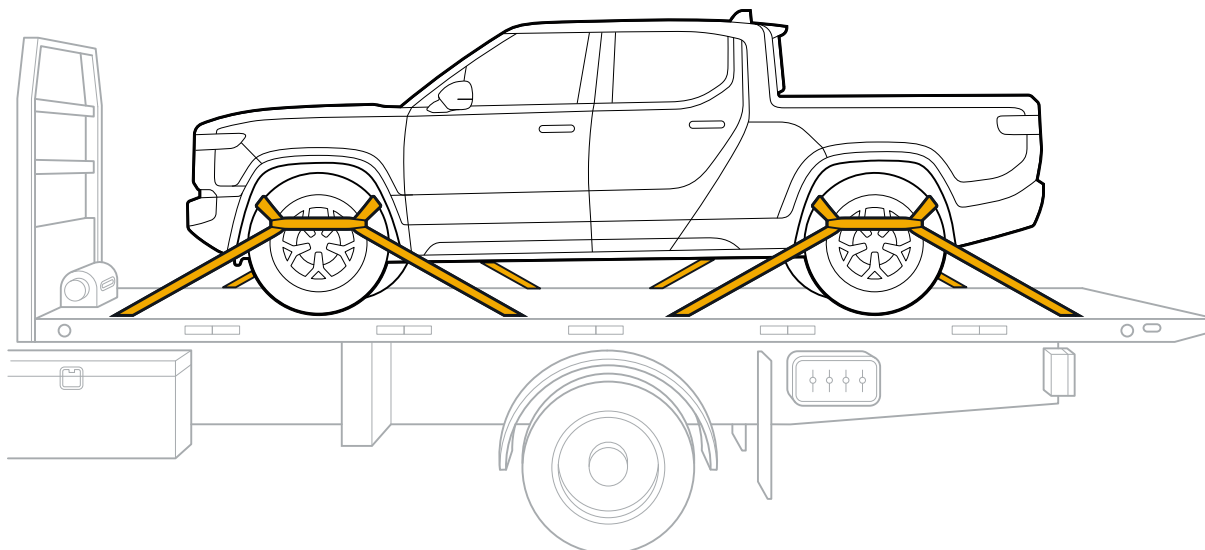
1. Ensure the **Park brake release** is turned on or the rear wheels are lifted. See [Prepare the Vehicle for Towing](#).
2. Remove the wheel chocks, if needed.
3. Use the tow truck winch to pull the vehicle onto the tow truck bed.
4. Pull at 5 mph (8 km/h) or less to prevent damage to the drivetrain.

NOTE

If you pull too fast, the vehicle will stop and return to **Park**.



5. Tie down the vehicle using eight-point retention straps with two points of contact per corner.



CAUTION

To prevent damage, ensure the straps don't contact the brake lines or suspension components behind the tire.

6. Put the vehicle into **Park**.
7. Go to **Drive Modes** in the center display. Choose **Sport** or **Conserve**. Then choose the **Lowest** ride height.

Legal and Reference

LEGAL

Certification Conformity

USA FCC AND CANADA ISED (IC) CERTIFICATION

Wireless Device	Model	FCC ID	IC ID
Telematics Control Module (Bluetooth not available)	TCM 1.0	2AW3A-1NAT20TCM	26958-1NAT20TCM
Vehicle Access System - Bluetooth	VAS-BLE 1.0	2AW3A-1NAG20VAS	26958-1NAG20VAS
Experience Management Module	XMM 1.0	contains FCC ID: VPYLB2AJ	contains IC: 772C-LB2AJ
NFC Door Interior (NDI)	NDI 1.0	2AW3A-1NAG20NDI	26958-1NAG20NDI
NFC Door Handle (NDH)	NDH 1.0	2AW3A-1NAG20NDH	26958-1NAG20NDH
Wireless Charger	VWPEN16C-30ACAPB	2A2EZVW30ACAP	26414-VW30ACAP
Camp Speaker	RCS 0.9, 1.0	contains FCC ID: 2AOHH-TURBOXC404	contains IC: 23465-TURBOXC40X
R1T Keyfob	R1T KFB	2AW3A-1WWG20R1TKFB	26958-1WWG20R1TKF
Tire Pressure Monitoring System	TSSSG4G6b	YGOTSSRE4A	4008C-TSSRE4A
Automotive Short-Range Radars	MAR110	TQ8-MAR110	5074A-MAR110
Automotive Long-Range Radar	LRR-25	2ACDX-LRR-25	11988A-LRR25

FCC STATEMENT

This device complies with Part 15 of the FCC Rules. Operation is subject to the following two conditions:

1. This device may not cause harmful interference, and
2. This device must accept any interference received, including interference that may cause undesired operation.

This equipment has been tested and found to comply with the limits for a Class B digital device, pursuant to part 15 of the FCC Rules. These limits are designed to provide reasonable protection against harmful interference in a residential installation. This equipment generates, uses, and can radiate radio frequency energy. And, if not installed and used in accordance with the instructions, may cause harmful interference to radio communications. However, there is no guarantee that interference will not occur in a particular installation. If this equipment does cause harmful interference to radio or television reception, which can be determined by turning the equipment off and on, the user is encouraged to try to correct the interference by one or more of the following measures:

- Reorient or relocate the receiving antenna.
- Increase the separation between the equipment and receiver.
- Connect the equipment into an outlet on a circuit different from that to which the receiver is connected.
- Consult the dealer or an experienced radio/TV technician for help.



CAUTION

Changes and modifications made to this equipment not expressly approved by Rivian may void the FCC authorization to operate this equipment.

EXPOSURE TO RADIO FREQUENCY ENERGY

Rivian vehicles use *Wi-Fi*[®], *Bluetooth*[®], and cellular radio (LTE/WCDMA/GSM) transmitters that emit radio frequency (RF) energy. Though these devices emit low levels of RF energy, keep a minimum distance from these devices to the human body during operation to meet the guidelines for RF exposure from the Federal Communications Commission of the United States (FCC), Industry Canada, and European Union.

The devices emitting RF energy used in Rivian vehicles are listed below based on their recommended Maximum Permissible Exposure (MPE) distance.

Wireless Device	Model	Maximum Permissible Exposure (MPE) Distance	Antenna Location
Telematics Control Module	TCM 1.0	9 inches (23 cm)	Rear Spoiler
Vehicle Access System - Bluetooth	VAS-BLE 1.0	8 inches (20 cm)	Door Pillars
Experience Management Module	XMM 1.0	8 inches (20 cm)	Instrument Panel
R1 Wireless Charger Module	VWPEN16C-30ACAPB	8 inches (20 cm)	Center Console
Rivian Camp Speaker	RCS 0.9, 1.0	8 inches (20 cm)	Center Console*
Automotive Short-Range Radars	MAR110	8 inches (20 cm)	Front and Rear Bumper Corners
Automotive Long-Range Radar	LRR-25	32 inches (80 cm)	Front Bumper

*Camp Speaker is removable from the vehicle's Center Console. The MPE distance should be from the Camp Speaker antenna whether docked or undocked.

State-Specific Disclaimers

CALIFORNIA

Passenger and Off-Highway Motor Vehicles



WARNING

Operating, servicing and maintaining a passenger vehicle or off-highway motor vehicle can expose you to chemicals including phthalates and lead, which are known to the State of California to cause cancer and birth defects or other reproductive harm. To minimize exposure, service your vehicle in a well-ventilated area and wear gloves or wash your hands frequently when servicing your vehicle. For more information go to www.P65Warnings.ca.gov/passenge-vehicle.



WARNING

Certain components in your vehicle such as lithium batteries, airbag modules, and seat belt pretensioners may contain perchlorate material. Special handling may apply for service or vehicle end of life disposal. For more information go to www.dtsc.ca.gov/hazardouswaste/perchlorate.

Event Data Recorder

This vehicle is equipped with an event data recorder (EDR). The main purpose of an EDR is to record, in certain crash or near crash-like situations, such as an air bag deployment or hitting a road obstacle, data that will assist in understanding how a vehicle's systems performed. The EDR is designed to record data related to vehicle dynamics and safety systems for a short period of time, typically 30 seconds or less. The EDR in this vehicle is designed to record such data as:

- How various systems in your vehicle were operating;
- Whether or not the driver and passenger safety belts were buckled/fastened;
- How far (if at all) the driver was depressing the accelerator and/or brake pedal; and
- How fast the vehicle was traveling.

These data can help provide a better understanding of the circumstances in which crashes and injuries occur.

NOTE

EDR data are recorded by your vehicle only if a non-trivial crash situation occurs; no data are recorded by the EDR under normal driving conditions, and no personal data (e.g., name, gender, age, and crash location) are recorded. However, other parties, such as law enforcement, could combine the EDR data with the type of personally identifying data routinely acquired during a crash investigation.

To read data recorded by an EDR, special equipment is required, and access to the vehicle or the EDR is needed. In addition to the vehicle manufacturer, other parties, such as law enforcement, that have the special equipment, can read the information if they have access to the vehicle or the EDR.

Privacy and User Data

Your privacy is important to Rivian. To learn more about the data we collect from you and your vehicle and our data handling practices, see Rivian's [Privacy Policy](#).

Call

[\(866\) 955-1157](tel:(866)955-1157)

Write

privacy@rivian.com

Quality Control

All Rivian vehicles undergo extensive quality testing, road testing, and inspection before they are delivered. This may result in a few miles or kilometers on the odometer when your Rivian vehicle is delivered to you.

Customer Service

Still need help? Connect with us.



Customer Engagement Center

(888) RIVIAN1 / (888) 748-4261
customerservice@rivian.com
rivian.com Support Center and Chat

Insurance

(888) RIVIAN8 / (888) 748-4268

Roadside Assistance 24/7

(844) RIVIAN4 / (844) 748-4264

Service 24/7

(855) RIVIAN5 / (855) 748-4265