

## R1T YAKIMA HIGHROAD BIKE MOUNT

# Positioning Guide

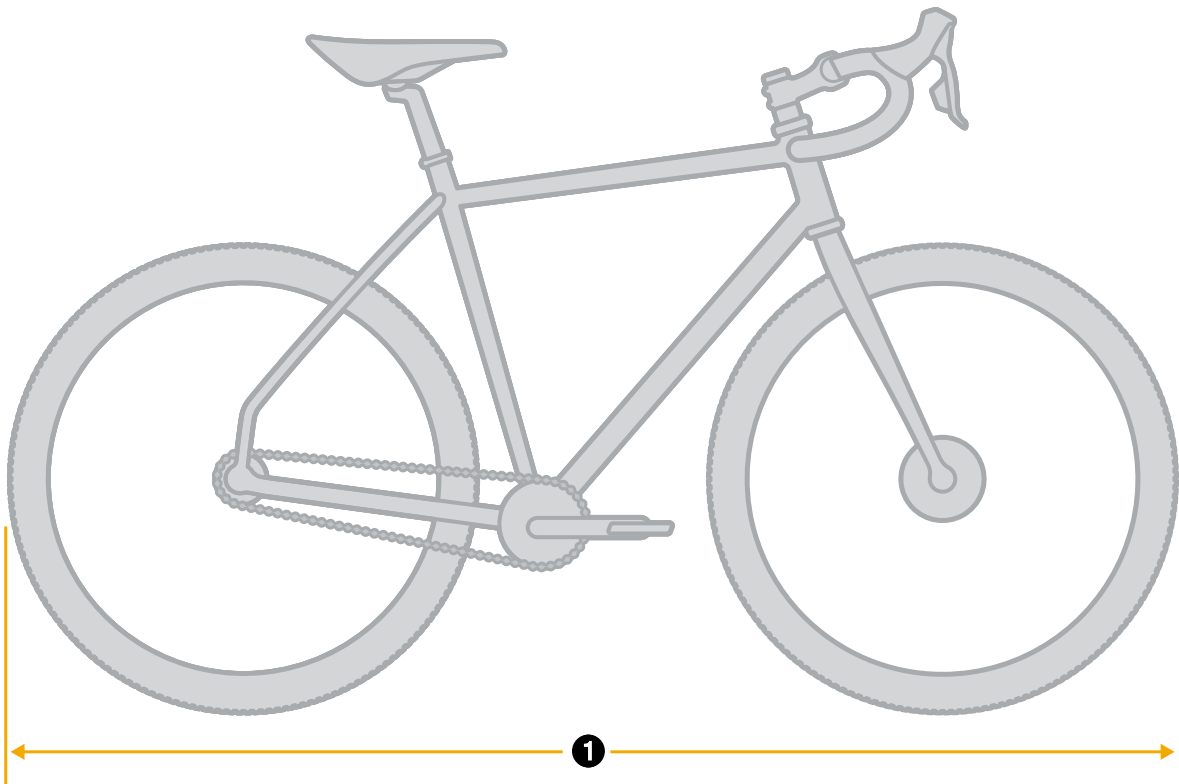
Use this guide to determine if your bike will fit over the R1T truck bed.

**NOTE**

Follow all procedures in the [Yakima HighRoad Installation Guide](#).

## Measure Your Bike

Measure the total length of your bike from the outside edges of the front and rear tires.



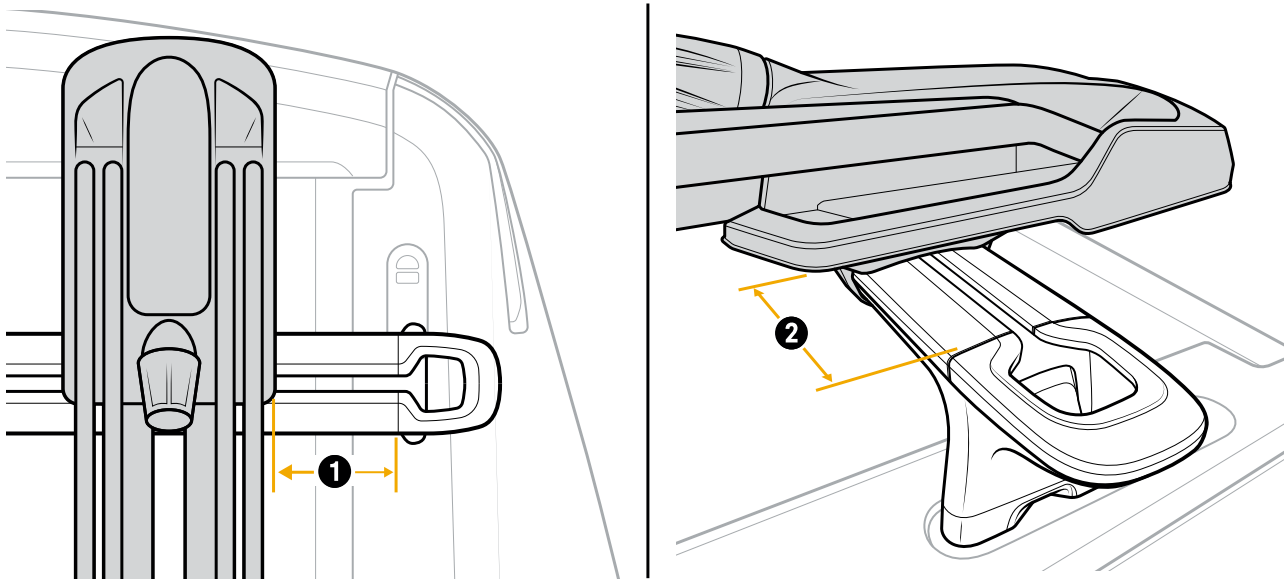
Item	Description
1	Less than 70 in (1780 mm) long

## NOTES

- Your bike will fit over the R1T truck bed if the bike is less than 70 in (1780 mm) long.
- If your bike is longer than 70 in (1780 mm), mount your bike over the cab of the truck.

## Install the Mount on the Cargo Crossbars

If you mount the bike on the truck bed, ensure the front of the mount is positioned 3.5 in (89 mm) from the start of the T-Slot on the rear Cargo Crossbar.



Item	Description
1	3.5 in (89 mm)
2	3.5 in (89 mm)

# Install the Bike on the Mount

If you mount the bike on the truck bed, ensure the front tire points toward the rear of the vehicle.

