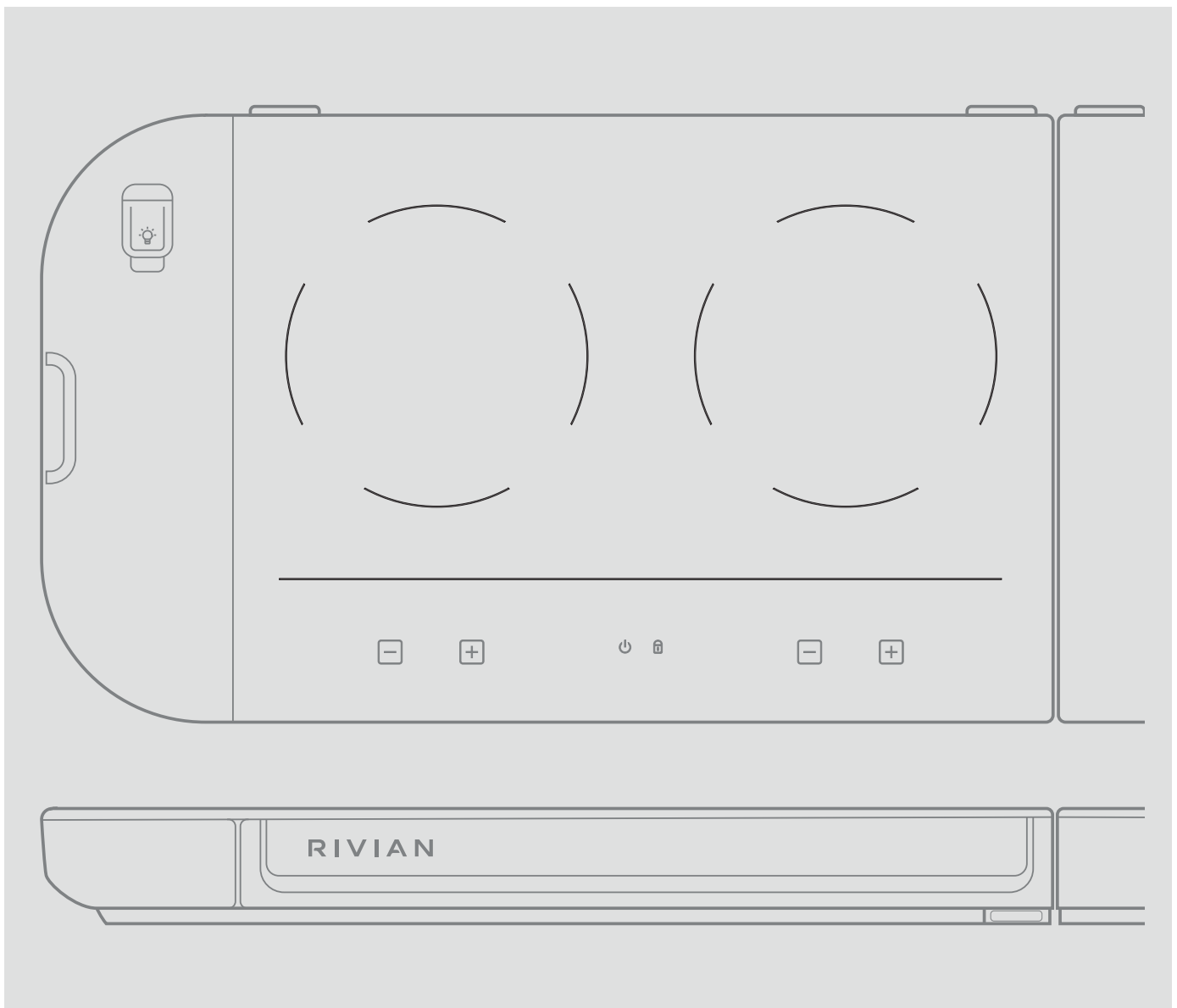


Travel Kitchen Guide





© 2024 Rivian Automotive, LLC. All rights reserved.

All information in this document and all Rivian software is subject to copyright and other intellectual property rights of Rivian Automotive, LLC, its affiliates, or its licensors. This material may not be modified, reproduced, or copied, in whole or in part, without the prior written permission of Rivian Automotive, LLC, its affiliates, or its licensors. Unless indicated otherwise, all trademarks are owned and registered by Rivian Automotive, LLC, its affiliates, or its licensors in the United States and/or other countries. Please visit <https://www.rivian.com/legal/brand> for Rivian's trademarks and service marks.

The images provided in this document are for illustrative purposes only. Depending on the product details and market region, the information in this document may appear slightly different from your product.

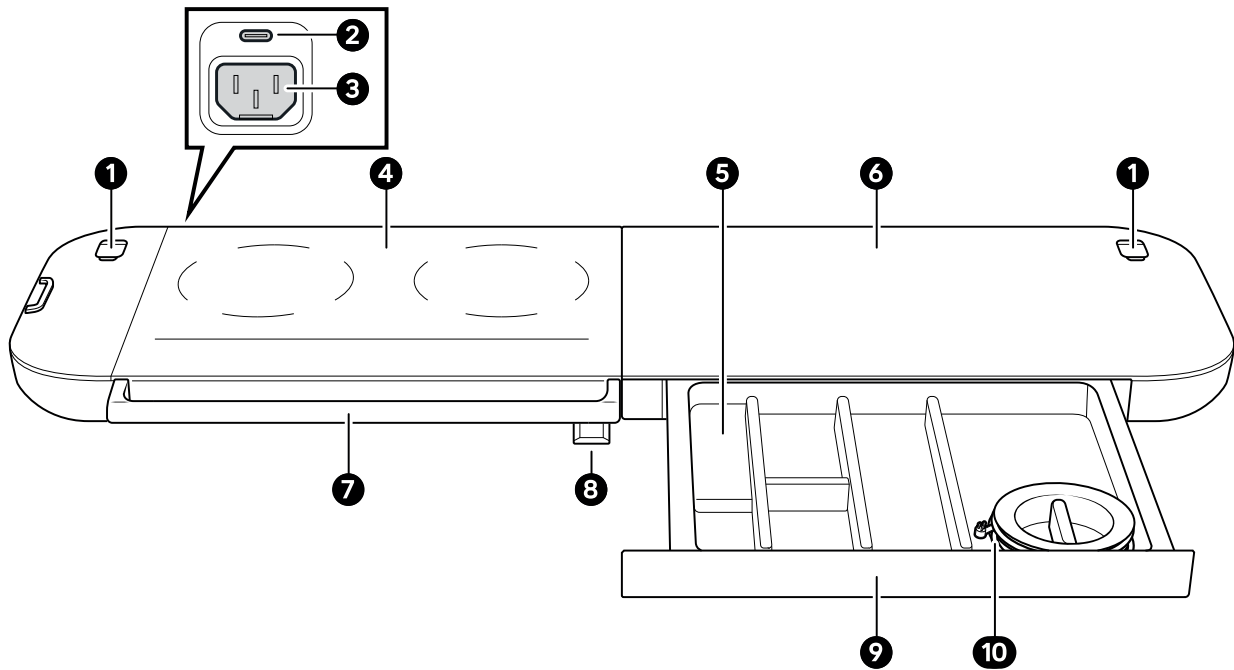
Contents

Overview of the Travel Kitchen	4
About the Travel Kitchen	4
Set Up the Travel Kitchen	5
Setup Options	7
Set Up on the Tailgate of an R1S	7
Set Up on the Tailgate of an R1T	10
Set Up on a Table	12
Introduction to Induction Cooking	14
Countertop Tips	14
Use the Induction Cooktop	15
About the Induction Cooktop	15
Lock the Cooktop	18
How Power Sharing Works	18
Heat Food or Water	19
Storage and Maintenance	20
Stow the Travel Kitchen	20
Maintenance	23
Maintain the Travel Kitchen	23
Maintain the Induction Cooktop	23
Maintain the Countertop	23
Cooktop Troubleshooting	24
Travel Kitchen Specifications	26
Regulatory Information	27
FCC Statement	27
ISED (IC) Statement	28
CSA Statement	28
Adventure Gear Limited Warranty	28
Customer Service	29

Overview of the Travel Kitchen

About the Travel Kitchen

The Travel Kitchen combines an induction cooktop with a countertop and storage drawer so you can cook meals away from your home.



Item	Description
1	Light pole holders (See the Hangout Lights Guide for installation instructions.)
2	5 V USB-C outlet to deliver up to 3 A of power only (no data)
3	120 V power outlet for the cooktop
4	Induction cooktop (Magnetic cookware required)
5	Magnetic knife holder
6	Countertop
7	Handle that can be used as a towel bar
8	Stability foot (R1S only)
9	Drawer with cutting board (not shown), utensil tray, magnetic knife holder, and power cord
10	Power cord for the cooktop and 5 V USB-C outlet

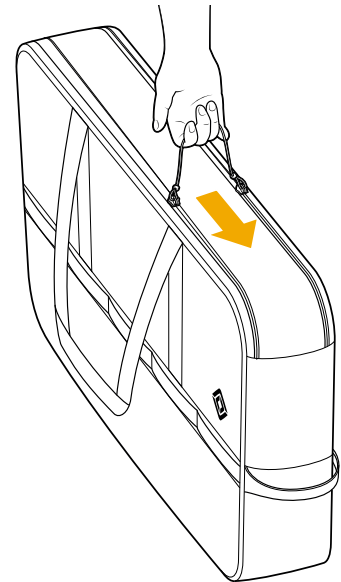
Set Up the Travel Kitchen

The Travel Kitchen (with Hangout Lights and its bag) weighs 41 lb (18.6 kg). Carry the straps of the bag on your shoulder to transport the Travel Kitchen with care.

NOTE

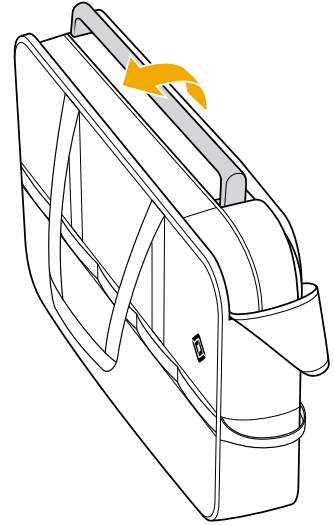
Keep the Travel Kitchen in the included bag when not in use to help protect it.

1. Place the bag in a vertical orientation on the ground.
2. Open the handles if needed.
3. Lift the zipper panel and unzip it to open the bag.

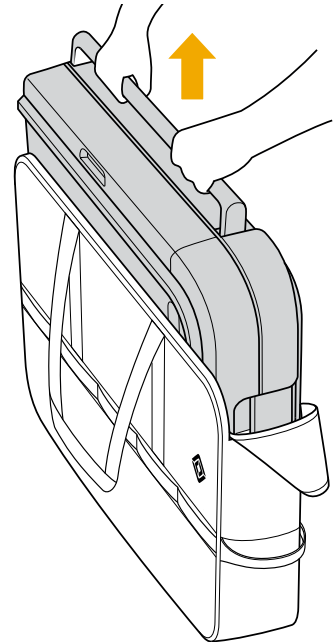


Set Up the Travel Kitchen

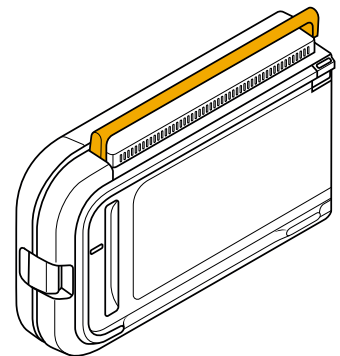
4. Lift the handle of the Travel Kitchen.



5. Lift the Travel Kitchen out of the bag.



6. Use the handle to carry the Travel Kitchen.



Setup Options

Select one of the following options:

- Set up on the tailgate of an R1S
- [Set up on the tailgate of an R1T](#)
- [Set up on a table](#)




CAUTION

Use the Travel Kitchen only on a table or parked vehicle. Don't try to use the Travel Kitchen while in transit.

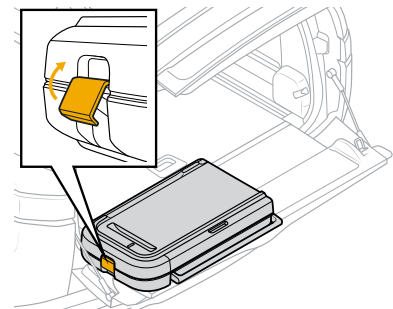
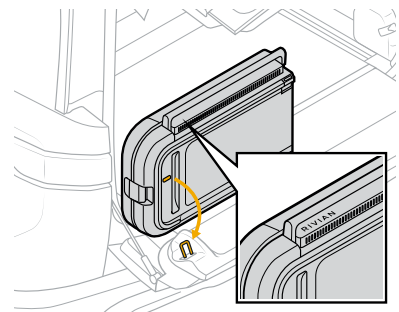
Set Up on the Tailgate of an R1S

1. Ensure your vehicle is level.

NOTE

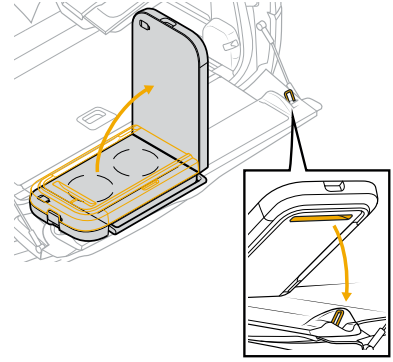
You can level your vehicle when parked on uneven terrain. Choose **Camping**  from the menu on the center display, and then choose **Level**.

2. Open the liftgate and tailgate.
3. Position the closed Travel Kitchen on the tailgate with the Rivian logo right side up.
4. Align the slot on the bottom of the Travel Kitchen with the U-shaped hook on the tailgate. Then lower the Travel Kitchen onto the tailgate.
5. Pull out and lift the latch to unlock the Travel Kitchen.

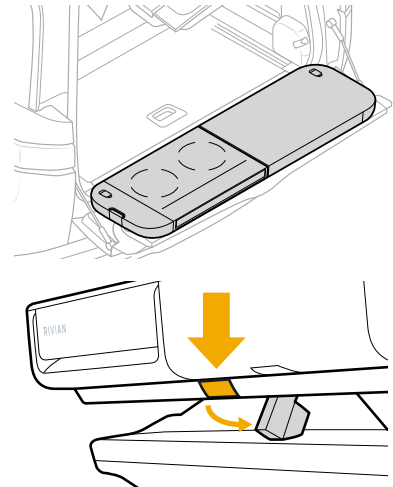


Set Up the Travel Kitchen

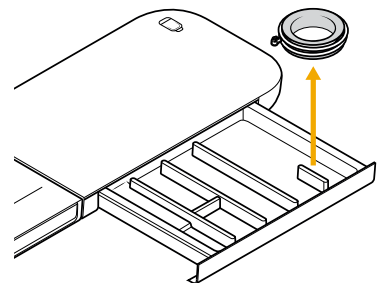
6. To reveal the cooktop, lift the top half of the Travel Kitchen. As you lower it to the other side, align the slot on the bottom of the Travel Kitchen with the U-shaped hook on the other side of the tailgate.



7. Locate the stability foot underneath the Travel Kitchen.
8. While you lift the Travel Kitchen slightly, push the stability foot to release it. Then lower the Travel Kitchen so that it lies flat on the tailgate.



9. Open the drawer and remove the cooktop power cord. Then unwrap the power cord from its case.



Set Up the Travel Kitchen


- Slide open the cover of the 120 V power outlet in the cargo area of the vehicle. Plug one end of the power cord into the 120 V power outlet.
- Plug the other end of the power cord into the back of the cooktop.



DANGER

Use only with the included power cord. For a replacement power cord, [contact Rivian](#).

- Turn on the 120 V outlets in the vehicle.

The cooktop beeps once when connected to power, and a red light appears above **Power**  on the cooktop.



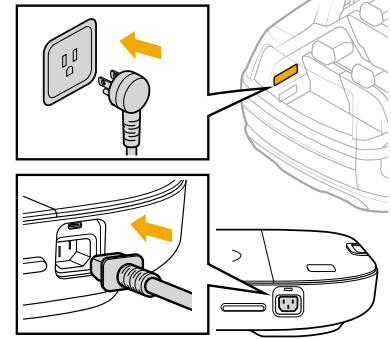
DANGER

Don't let objects obstruct any outlets being used.



CAUTION

- Don't use an outlet to power any device that requires over 1,500 W (1.5 kW) of power. If the 120 V circuits overload, the power cuts off. Unplug devices before you turn the outlets back on.
- Don't use more than one high-powered device at the same time. The 120 V outlets share the 1,500 W (1.5 kW) of power.
- Leaving the 120 V outlets powered on reduces the range of your vehicle, even if no devices are plugged in.




- (Optional) Remove the installation stickers from the Travel Kitchen.

Set Up on the Tailgate of an R1T

1. Ensure your vehicle is level.

NOTE

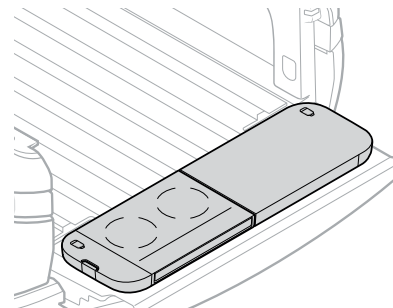
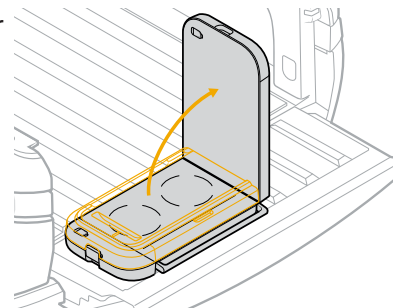
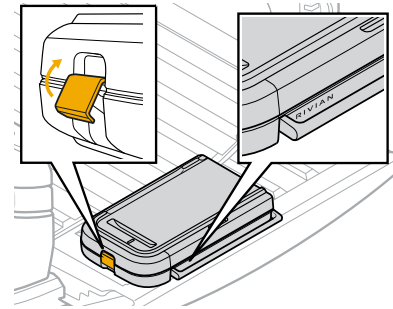
You can level your vehicle when parked on uneven terrain. Choose **Camping**  from the menu on the center display, and then choose **Level**.

2. Open the tailgate.
3. Position the closed Travel Kitchen on the tailgate with the Rivian logo right side up.
4. Lower the Travel Kitchen onto the tailgate.

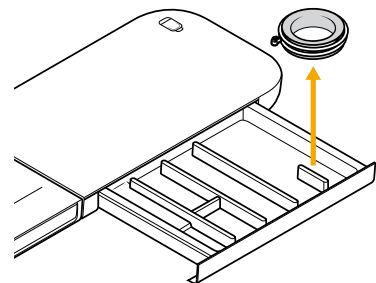
NOTE

The bottom of the Travel Kitchen fits over the ribs of the tailgate.

5. Pull out and lift the latch to unlock the Travel Kitchen.
6. To reveal the cooktop, lift the top half of the Travel Kitchen and then lower it to the other side.

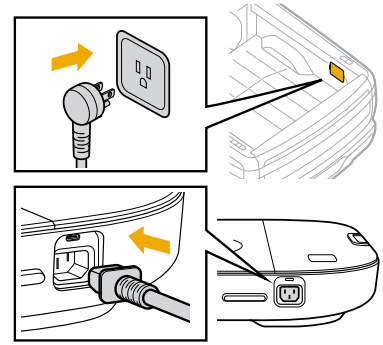


7. Open the drawer and remove the cooktop power cord. Then unwrap the power cord from its case.



Set Up the Travel Kitchen


- Lift the cover of the 120 V power outlet in the truck bed. Plug one end of the power cord into the 120 V power outlet.
- Plug the other end of the power cord into the back of the cooktop.



DANGER

Use only with the included power cord. For a replacement power cord, [contact Rivian](#).

- Turn on the 120 V outlets in the vehicle.

The cooktop beeps once when connected to power, and a red light appears above **Power**  on the cooktop.



DANGER

Don't let objects obstruct any outlets being used.



CAUTION

- Don't use an outlet to power any device that requires over 1,500 W (1.5 kW) of power. If the 120 V circuits overload, the power cuts off. Unplug devices before you turn the outlets back on.
- Don't use more than one high-powered device at the same time. The 120 V outlets share the 1,500 W (1.5 kW) of power.
- Leaving the 120 V outlets powered on reduces the range of your vehicle, even if no devices are plugged in.

- (Optional) Remove the installation stickers from the Travel Kitchen.

Set Up on a Table



WARNING

- The Travel Kitchen with Hangout Lights weighs 38 lb (17.3 kg) without its bag. When open, the Travel Kitchen is 52.9 in x 15.9 in x 2.95 in (134.3 cm x 40.5 cm x 7.5 cm). Ensure the surface you use is large and strong enough to support the Travel Kitchen.
- When you plug the Travel Kitchen into a power outlet, ensure the power cord is securely covered. Otherwise it may be a trip hazard.



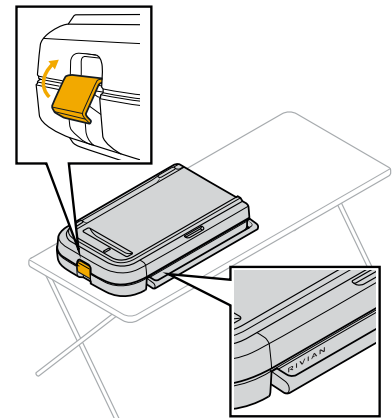
DANGER

- Ensure you plug the Travel Kitchen into a grounded power outlet.
- Plug the Travel Kitchen directly into the power source. Don't use an extension cord.

IMPORTANT

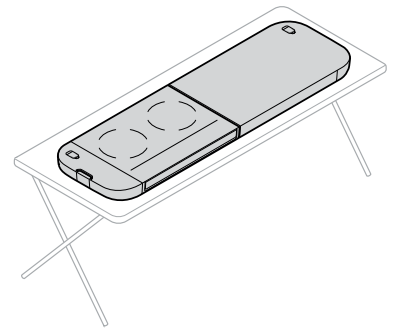
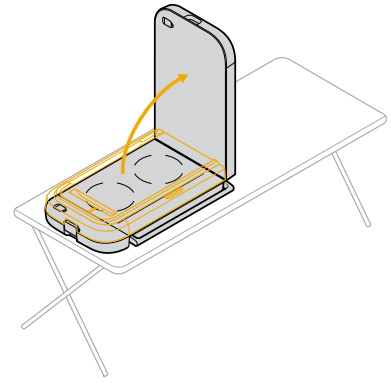
Your power source must support up to 1,500 W.

1. Ensure the table is level.
2. Position the closed Travel Kitchen on the table with the Rivian logo right side up.
3. Lower the Travel Kitchen onto the table.
4. Pull out and lift the latch to unlock the Travel Kitchen.

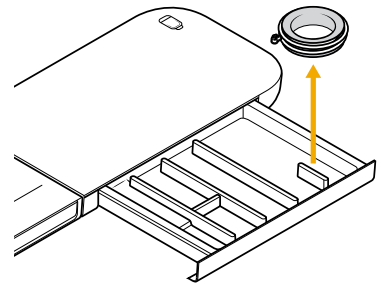


Set Up the Travel Kitchen

5. To reveal the cooktop, lift the top half of the Travel Kitchen and then lower it to the other side.



6. Open the drawer and remove the cooktop power cord. Then unwrap the power cord from its case.




7. Plug one end of the power cord into a 120 V power outlet.
8. Plug the other end of the power cord into the back of the cooktop.

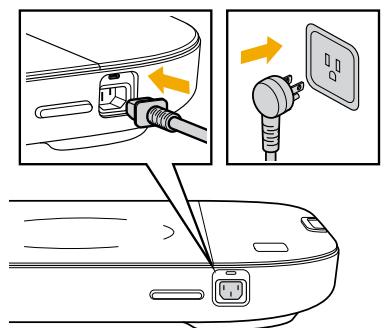


DANGER

Use only with the included power cord. For a replacement power cord, [contact Rivian](#).

The cooktop beeps once when connected to power, and a red light appears above **Power**  on the cooktop.

9. (Optional) Remove the installation stickers from the Travel Kitchen.



Introduction to Induction Cooking

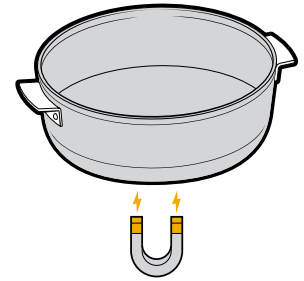
Induction cooking is a safe and energy-efficient cooking method that uses electromagnetic fields to heat up cookware, so the cookware must be magnetic. Magnetic cookware includes skillets, pots, or pans made out of cast iron or magnetic stainless steel.

IMPORTANT

Before you go on your trip, try out your cookware on the induction cooktop to ensure the cookware is compatible.

The bottom of the cookware must be relatively flat for optimal contact with the cooktop. Look for a label that says "induction-ready" if you buy new cookware.

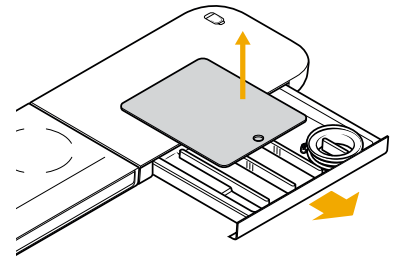
Use a magnet to test cookware. If the magnet sticks to the bottom, the cookware works on an induction cooktop.



Countertop Tips

To help prevent scratches, don't cut food directly on the countertop; use the included cutting board instead. Open the drawer and remove the cutting board.

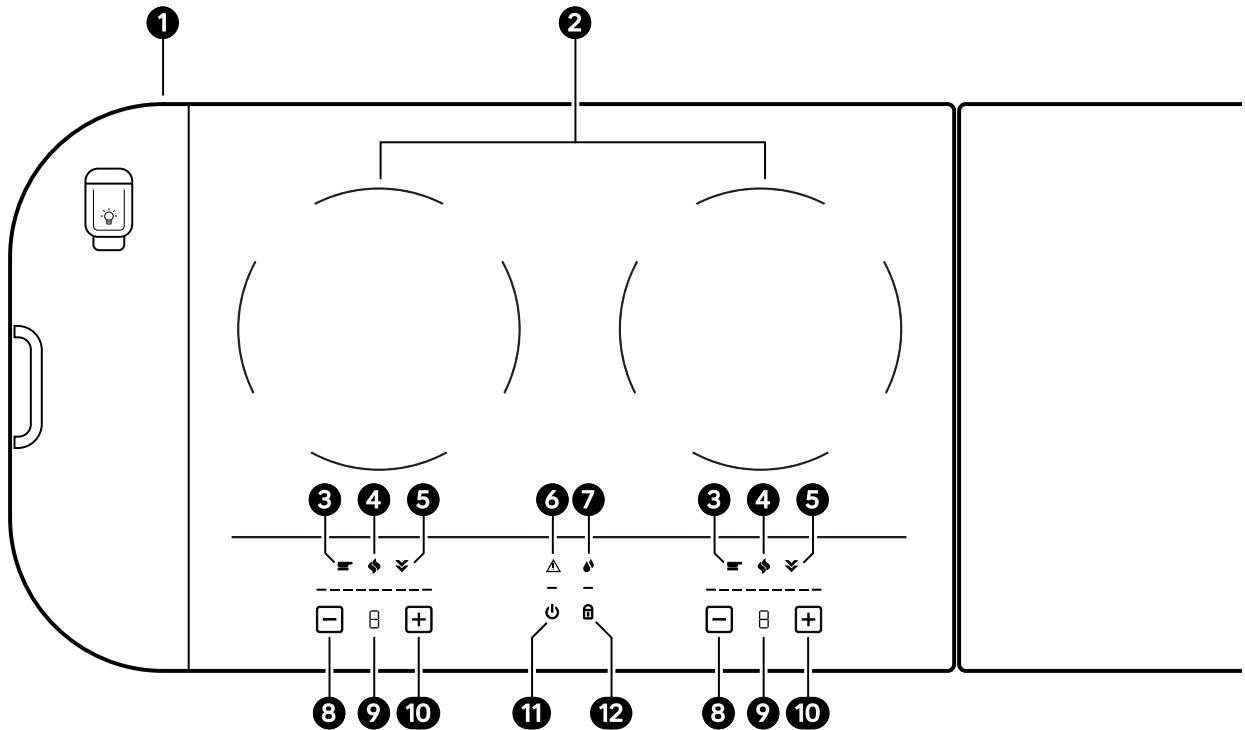
To help prevent marks, don't place hot cookware directly onto the countertop; use trivets (not included) instead.






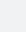

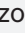
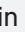

















Use the Induction Cooktop

About the Induction Cooktop

The induction cooktop heats up food or liquids in magnetic cookware.



Item	Icon	Name	Description
1	(no icon)	120 V outlet	Connect the power cord to the 120 V outlet to power the cooktop and 5 V USB-C outlet.
2	(no icon)	Cook zones	For the most efficient cooking, center the magnetic cookware in these zones.
3		No magnetic cookware detected	<p>If you press Increase heat level  but the cook zone doesn't detect magnetic cookware, the No magnetic cookware detected icon  turns on. The cook zone remains cool to the touch. If magnetic cookware isn't detected within 10 seconds, the cook zone automatically turns off.</p> <p>Review the Introduction to Induction Cooking for more information about magnetic cookware.</p>
4		Hot cook zone	<ul style="list-style-type: none"> • Solidly lit: If the cook zone is hot to touch, the Hot cook zone icon  turns on. • Flashing: If the cook zone heats up too quickly, the Hot cook zone icon  flashes until the heat level stabilizes. <div style="border: 1px solid black; padding: 10px; margin-top: 10px;"> <p>IMPORTANT</p> <p>Don't heat empty cookware because the cooktop may quickly overheat.</p> </div> <div style="margin-top: 10px;">  <p>WARNING</p> <ul style="list-style-type: none"> • Don't touch the cook zone while the Hot cook zone icon  is lit. • If this icon appears, keep the cooktop plugged in until the Hot cook zone icon  turns off. Otherwise the cooktop can't indicate that the cook zone is hot. </div>
5		Power sharing	If this icon appears, refer to the section, How Power Sharing Works .
6		Error	The Error icon  indicates an issue .

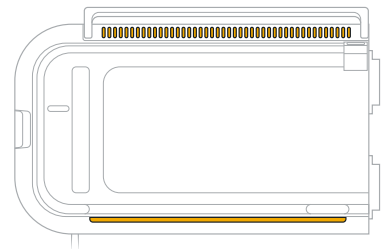
Item	Icon	Name	Description
7		Moisture detected	The Moisture detected icon  flashes if the cooktop detects liquid spilled on its glass surface. Wipe up the spilled liquid. NOTE The cooktop controls are capacitive touch, so if that area is wet, they are hard to use.
8		Decrease heat level	For each cook zone, press Decrease heat level  to decrease the heat level. There are 10 heat levels available, from 0, no heat, to 9, the maximum heat level.
9	(no icon)	Display	This indicates the heat level, 0-9, when the cooktop is turned on. Red lights also indicate the heat level.
10		Increase heat level	For each cook zone, press Increase heat level  to increase the heat level. There are 10 heat levels available, from 0, no heat, to 9, the maximum heat level.
11		Power	Power  lights up if the cooktop is plugged into an active 120 V power source. Press and hold Power  for 3 seconds to turn the cooktop on. A red light above the icon indicates the cooktop is turned on. Press and hold Power  for 3 seconds to turn the cooktop off.
12		Lock	Press and hold Lock  for 3 seconds to lock or unlock the cooktop controls. A red light above the icon indicates the cooktop is locked.

Rubber feet elevate the Travel Kitchen, allowing air to circulate freely through vents located on the bottom of the cooktop.




CAUTION

Keep the area around the air vents clear so the cooktop won't overheat. If it overheats, the cooktop automatically turns off. Wait at least 5 minutes before turning the cooktop back on.



Lock the Cooktop

Lock the cooktop so no one can use the controls or if there is rain or snow. (The cooktop may detect moisture or water droplets as presses of the cooktop controls.)

To lock the cooktop, press **Lock**  for 3 seconds. A red light indicates the cooktop is locked.


To unlock the cooktop, press **Lock**  for 3 seconds.

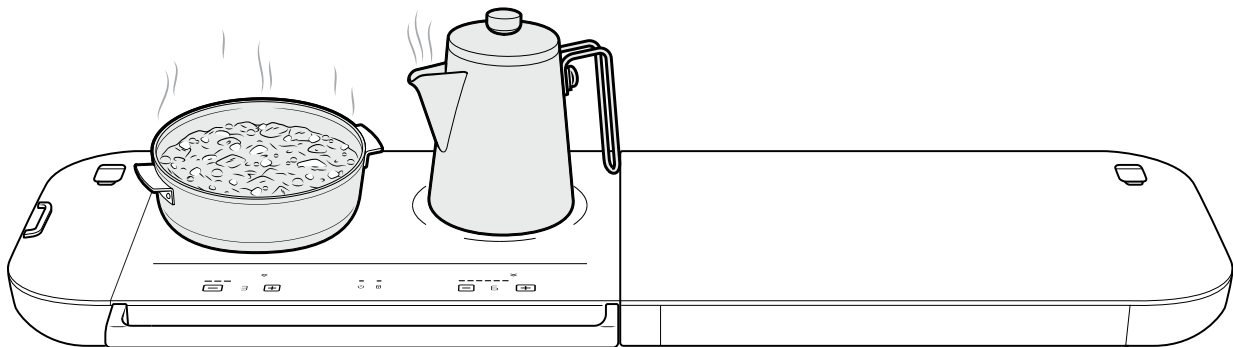
How Power Sharing Works

The cooktop shares power between the two cook zones.

- The cook zone you turn on first has priority.
- If you turn on both cook zones, the combination of their heat levels is a maximum of 9.

For example, if you turn the right cook zone on and set it to 6, and then turn the left cook zone on and set it to 3, the combination of the heat levels is 9 ($6 + 3 = 9$).





If you try to increase the heat level of the left cook zone, the Power sharing icon  flashes to indicate that you can't increase it. To increase the heat level of the left cook zone, you must first lower the heat level of the right cook zone.



Heat Food or Water

IMPORTANT

- Avoid using the Travel Kitchen if it is uncovered under direct rainfall.
- Don't heat empty cookware because the cooktop may quickly overheat.

1. Place the food or water in your cookware and put it on a cook zone.
2. Press **Power**  to turn on the cooktop.
3. Press **Increase heat level**  to increase the heat level for the cook zone.
4. To turn off a cook zone, press **Decrease heat level**  to decrease the heat level until the display shows 0.
5. To turn off the cooktop, press **Power**  for 3 seconds.



NOTE

If the cooktop doesn't turn on, ensure that:

- It is plugged into an active 120 V power source.
- Your power source supports up to 1,500 W because the cooktop is a high-powered device.



WARNING

- The cooktop remains hot after use. Wait at least 5 minutes for the cooktop to cool down before touching it or stowing the Travel Kitchen.
- If the Hot cook zone icon  appears, keep the cooktop plugged in until the Hot cook zone icon  turns off. Otherwise the cooktop can't indicate that the cook zone is hot to touch.
- Don't use the cooktop if the glass surface is cracked. [Contact Rivian.](#)

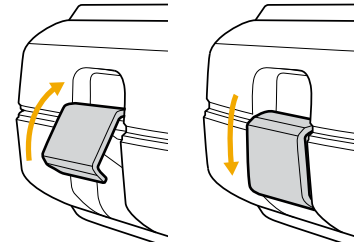
Storage and Maintenance

Stow the Travel Kitchen

IMPORTANT

Ensure the Travel Kitchen is cool to touch before you stow it.

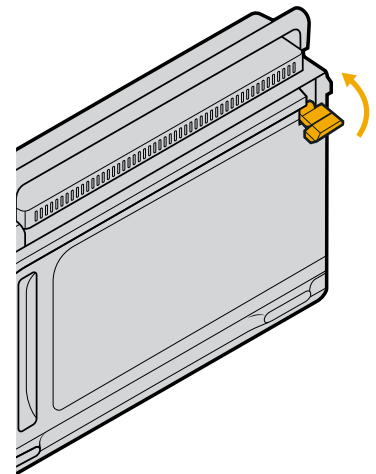
1. Turn off and wipe down the cooktop after it cools down.
2. Unplug the power cord from the back of the cooktop and the 120 V outlet.
3. Wrap the power cord around its case.
4. Open the drawer and store the power cord in it. Then close the drawer.
5. Lift the side with the drawer and lower it to close the Travel Kitchen.
6. Pull out and lift the latch. Attach and close the latch to lock the closed Travel Kitchen.
7. Remove the Travel Kitchen from the tailgate or table.



NOTE

If you used the stability foot for the R1S, place the Travel Kitchen on the ground. Lift the stability foot and stow it.

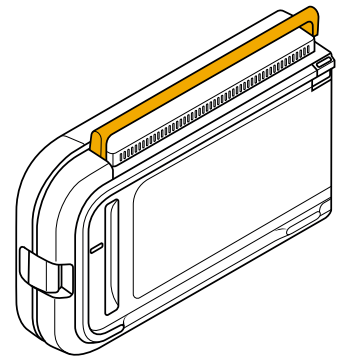
8. Turn off the 120 V outlets in your vehicle as needed.



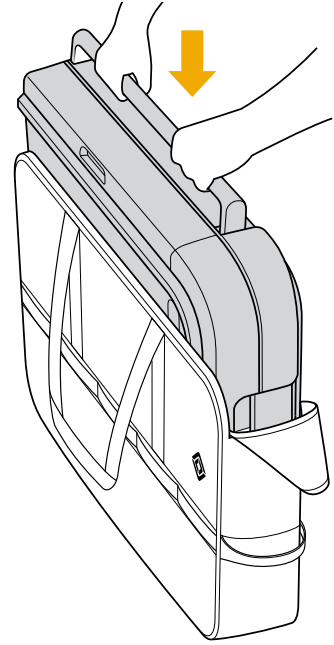
9. Use the handle to carry the Travel Kitchen.

NOTE

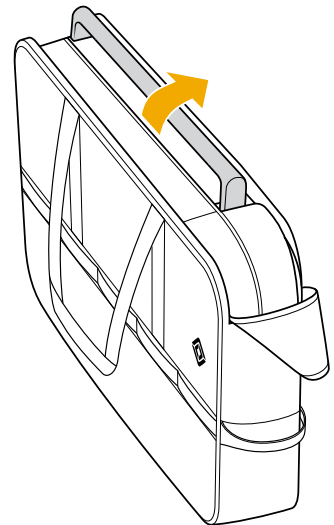
For easier transport, you can remove the contents of the drawer first.



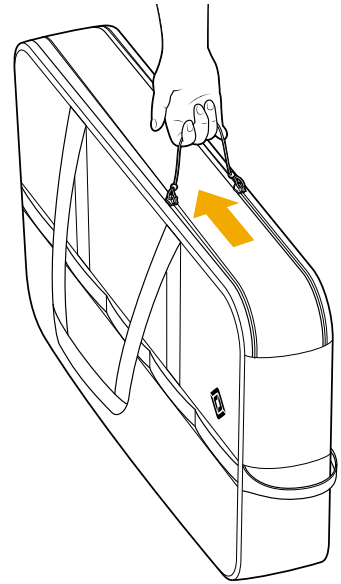
10. Lower the Travel Kitchen into the bag.



11. Lower the handle of the Travel Kitchen.



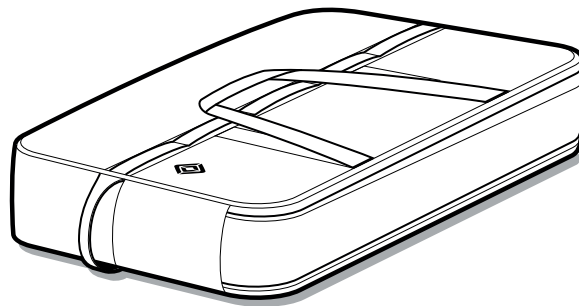
12. Close the bag.



When you store the Travel Kitchen, you can lay it flat with either side facing up.

NOTE

Keep the Travel Kitchen in the included bag when not in use to help protect it.



Maintenance

Maintain the Travel Kitchen

1. Except for the cooktop, clean the outer surfaces of the Travel Kitchen, including the countertop, with a solution of water and mild detergent.



CAUTION

Don't use cleaners that have bleach, ammonia, or alcohol on the Travel Kitchen.

2. Dry the Travel Kitchen with a towel before stowing it.

NOTE

The drawer has a liner so you can easily remove its contents for cleaning.

Maintain the Induction Cooktop

1. Turn off the cooktop and allow it to cool down.



CAUTION





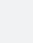
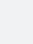

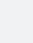
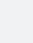

- Don't use harsh chemicals or abrasives on the cooktop.
- Don't use water to clean the air vents.















2. Unplug the power cord from the back of the cooktop.
3. Use glass cleaner and a soft cloth to clean the cooktop.
4. Occasionally wipe the air vents with a soft dry cloth to remove any dust or dirt.

Maintain the Countertop

Clean the countertop with a solution of water and mild detergent.

Cooktop Troubleshooting

Error Code	Icon	Name	Description
(no error code)		No magnetic cookware detected	<p>If you press Increase heat level  but the cook zone doesn't detect magnetic cookware, the No magnetic cookware detected icon  turns on. The cook zone remains cool to the touch. If magnetic cookware isn't detected within 10 seconds, the cook zone automatically turns off.</p> <p>Review the Introduction to Induction Cooking for more information about magnetic cookware.</p>
(no error code)		Hot cook zone: Empty cookware	<ul style="list-style-type: none"> • Solidly lit: If the cook zone is hot to touch, the Hot cook zone icon  turns on. • Flashing: If the cook zone heats up too quickly, the Hot cook zone icon  flashes until the heat level stabilizes. <div style="border: 1px solid black; padding: 10px; margin-top: 10px;"> <p>IMPORTANT</p> <p>Don't heat empty cookware because the cooktop may quickly overheat.</p> </div> <div style="margin-top: 10px;">  <p>WARNING</p> <ul style="list-style-type: none"> • Don't touch the cook zone while the Hot cook zone icon  is lit. • If this icon appears, keep the cooktop plugged in until the Hot cook zone icon  turns off. Otherwise the cooktop can't indicate that the cook zone is hot. </div>
(no error code)		Power sharing	<p>If this icon appears, refer to the section, How Power Sharing Works.</p>

Error Code	Icon	Name	Description
(no error code)		Moisture detected	<p>The Moisture detected icon  flashes if the cooktop detects liquid spilled on its glass surface. Wipe up the spilled liquid.</p> <p>NOTE The cooktop controls are capacitive touch, so if that area is wet, they are hard to use.</p>
E1		Voltage too low	The Error icon  flashes 2 times. The cooktop automatically turns off after 2 flashes. Check the power source connected to the cooktop and ensure it provides 120 V.
E2		Voltage too high	The Error icon  flashes 3 times. The cooktop automatically turns off after 3 flashes. Check the power source connected to the cooktop and ensure it provides 120 V.
(no error code)		Sensor error or short	The Error icon  is solidly lit. Unplug the power cord from the cooktop and contact Rivian .
E5		Fan error	The Error icon  is solidly lit, and the display shows a "5." Unplug the power cord from the cooktop and contact Rivian .
E6		Transistor error	The Error icon  is solidly lit, and the display shows a "6." Unplug the power cord from the cooktop and contact Rivian .
E8		Internal wiring error	The Error icon  is solidly lit, and the display shows an "8." Unplug the power cord from the cooktop and contact Rivian .

Travel Kitchen Specifications

Item	Value
Dimensions, open (length x width x height)	52.9 in x 15.9 in x 2.95 in (1343 mm x 405 mm x 75 mm)
Dimensions, closed (length x width x height)	26.9 in x 15.9 in x 6 in (684 mm x 405 mm x 153 mm)
Weight of Travel Kitchen with Hangout Lights and bag	41 lb (18.6 kg)
Weight of Travel Kitchen with Hangout Lights	38 lb (17.3 kg)
Operating temperature range	14 to 122°F (-10 to 50°C)
Storage temperature range	-4 to 185°F (-20 to 85°C)
Cooktop voltage	120 V AC
Cooktop frequency	60 Hz
Left cook zone rated power	1,500 W
Right cook zone rated power	1,500 W
All cook zones rated power	1,500 W
Cooktop current draw	Up to 15 A
USB-C outlet voltage	5 V AC
USB-C outlet current draw	Up to 3 A

Regulatory Information

FCC Statement



CAUTION

Changes or modifications not expressly approved by the manufacturer could void the user's authority to operate this equipment.

This device is a Class B Unintentional Radiator.

This device complies with Part 15 of the FCC Rules. Operation is subject to the following two conditions:

1. This device may not cause harmful interference, and
2. This device must accept any interference received, including interference that may cause undesired operation.

This device complies with Part 18 of the FCC Rules.



WARNING

This induction cooktop generates and uses ISM frequency energy that heats cookware by using an electromagnetic field. It has been tested and complies with Part 18 of the FCC Rules for ISM equipment. This induction cooktop meets the FCC requirements to minimize interference with other devices in residential installation. Induction cooktops may cause interference with television or radio reception. If interference occurs, the user should try to correct the interference by:

- Relocating the receiving antenna of the radio or television.
- Increasing the distance between the cooktop and the receiver.
- Connecting the receiver into an outlet different than the cooktop.

It is the user's responsibility to correct any interference.



CAUTION

Persons with a pacemaker or similar medical device should exercise caution when standing near an induction cooktop while it is in use.

Consult your doctor or the manufacturer of the pacemaker or similar medical device for additional information about its effects with electromagnetic fields from an induction cooktop.

Contains FCC ID: 2AW3A-1NAA24TK

ISED (IC) Statement



CAUTION

Changes or modifications not expressly approved by the manufacturer could void the user's authority to operate this equipment.

This device complies with CAN ICES-001 (B) / NMB-001 (B) and CAN ICES-003 (B) / Avis NMB-003 (B).

CSA Statement

Certified to CSA STD C22.2 No. 61.

Adventure Gear Limited Warranty

Refer to the *Adventure Gear Limited Warranty Guide* for warranty information.



Still need help? Connect with us.

Customer Service

Call (888) RIVIAN1 / (888) 748-4261

customerservice@rivian.com

rivian.com Support Center and Chat